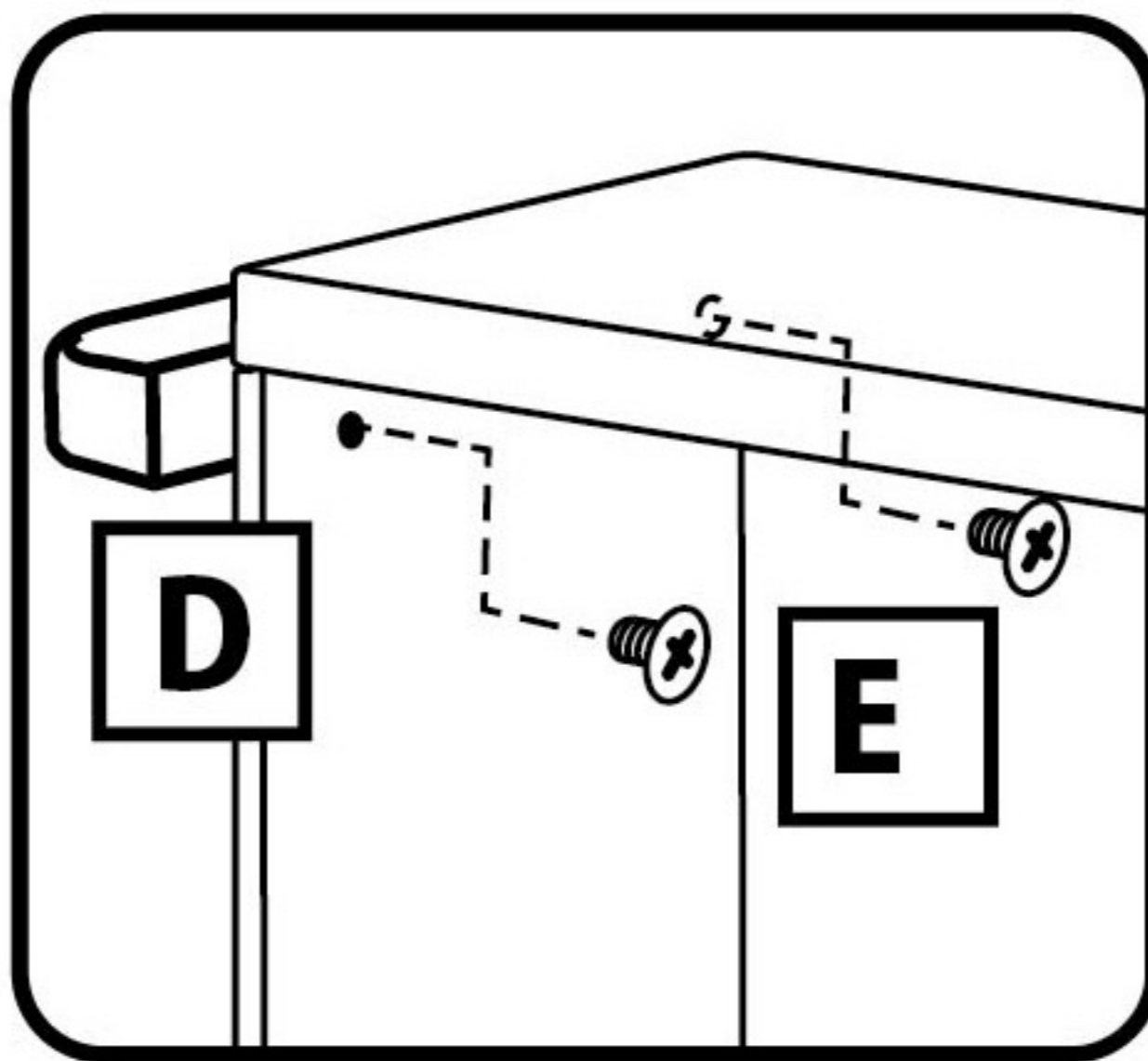


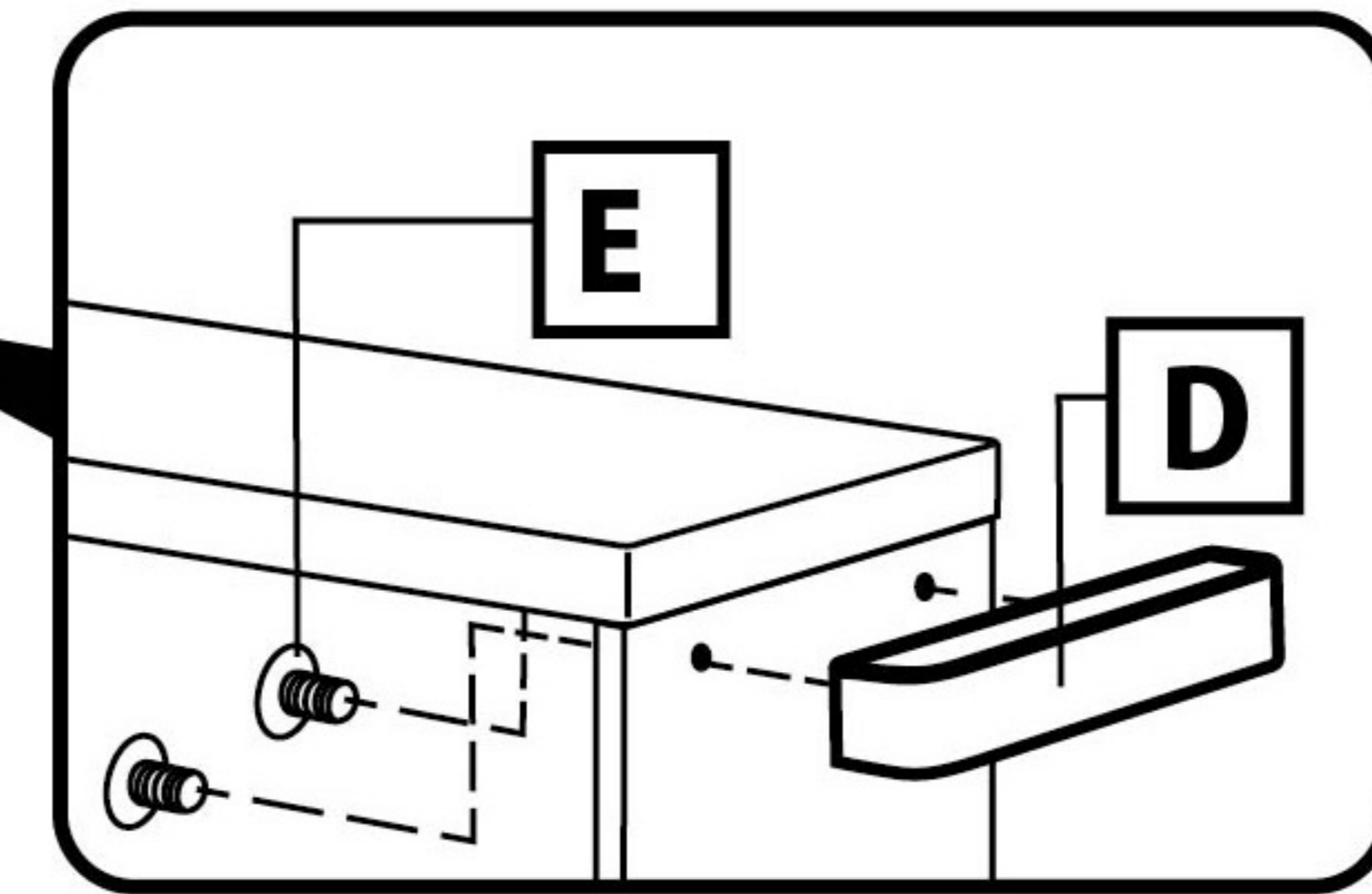
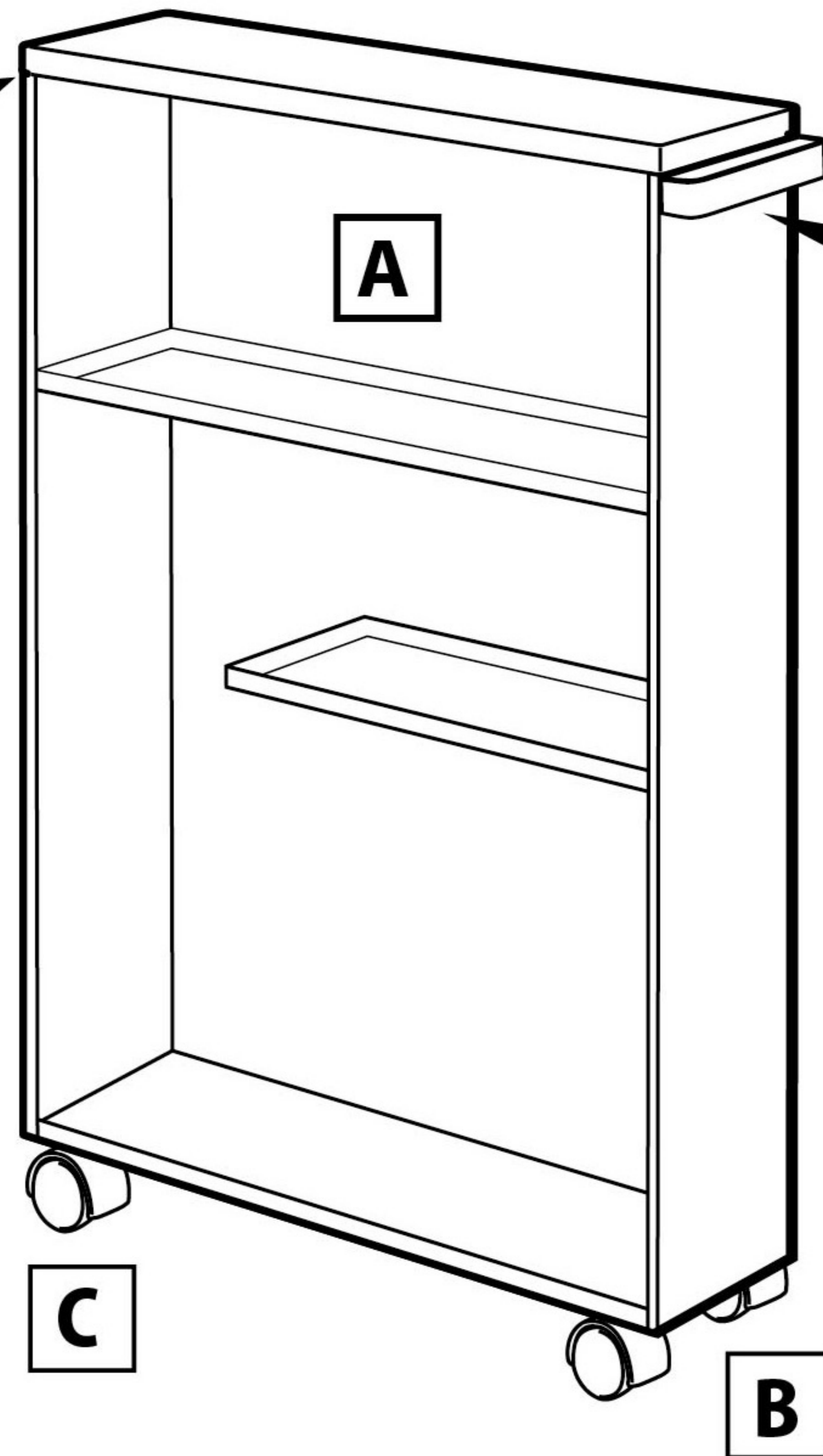
The omni-directional casters (Bx2) swivel in all directions. Install the swivel casters on the side with the handle.

The rigid casters (Cx2) roll in one direction, front and back. Install these on the side opposite the handle.



Caution

Do not directly expose wood top to water or high levels of humidity. Wipe wood top with dry cloth when wet.

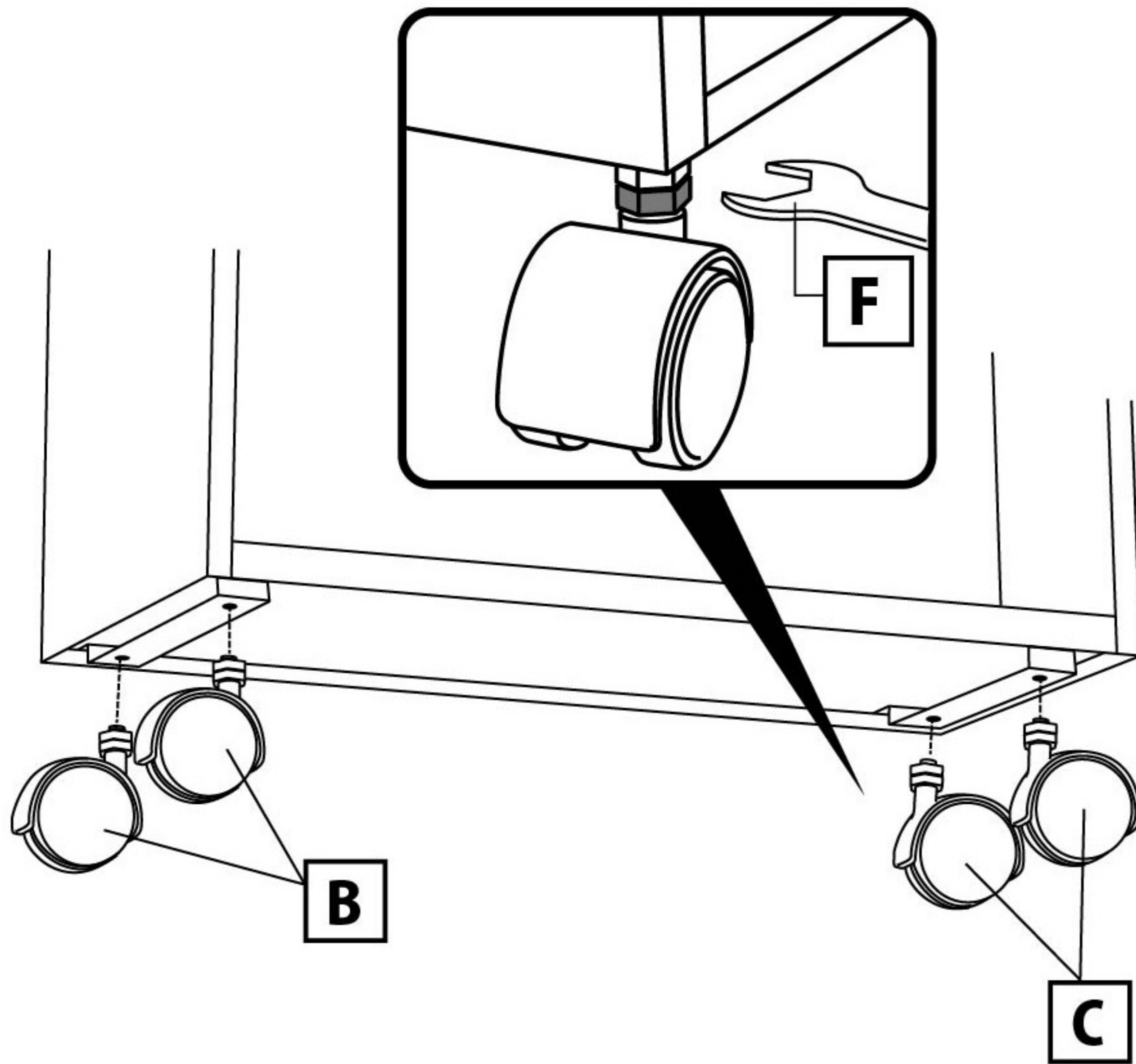


B

The omni-directional casters (Bx2) swivel in all directions. Install the swivel casters on the side with the handle.

C

The rigid casters (Cx2) roll in one direction, front and back. Install these on the side opposite the handle.



The one-directional wheels (Part C) should be placed on the side opposite the handle. The cart is guided by the omni-directional wheels on the handle side, while the straight wheels at the rear drive the unit forward. The top nut on any of the wheels can be adjusted to help level the unit.

EN/
Tower Slim Toilet Rack With Handle

SIZE
5.1" w x 18.7" d x 27" h
13w x 47.5d x 68.5h cm

MATERIAL
Steel, Wood, Casters(Nylon)

ACCESSORIES
Wrench

MAXIMUM WEIGHT
6kg

Made in China. Designed in Japan.

FR/
Tower Support De Toilette Mince Tour Avec Poignée

TAILLE
13w x 47.5d x 68.5h cm

MATÉRIEL
Acier, Bois, Roulettes(Nylon)

ACCESSOIRES
Clé

POIDS MAXIMUM
6kg

Fabriqué en Chine. Conçu au Japon.

DE/
Tower Schlanker Toilettenständer Mit Griff

GRÖSSE
13w x 47.5d x 68.5h cm

MATERIAL
Stahl, Holz, Streuer(Nylon)

ZUBEHÖR
Schraubenschlüssel

MAXIMALGEWICHT
6kg

In China hergestellt. Entworfen in Japan.

ES/
Tower Estantería Delgada Para Baño Con Asa

TAMAÑO
13w x 47.5d x 68.5h cm

MATERIAL
Acero, Madera, Ruedas(Nylon)

ACCESORIOS
Llave inglesa

PESO MÁXIMO
6kg

Hecho en China. Diseñado en Japón.

JP/
ハンドル付きスリムトイレラックタワー

SIZE
13w x 47.5d x 68.5h cm

MATERIAL
本体・ハンドル：スチール（粉体塗装）
天板：天然木化粧繊維板（ラッカー塗装）
キャスター：ナイロン

ACCESSORIES
スパナ

MAXIMUM WEIGHT
6kg

Made in China. Designed in Japan.

