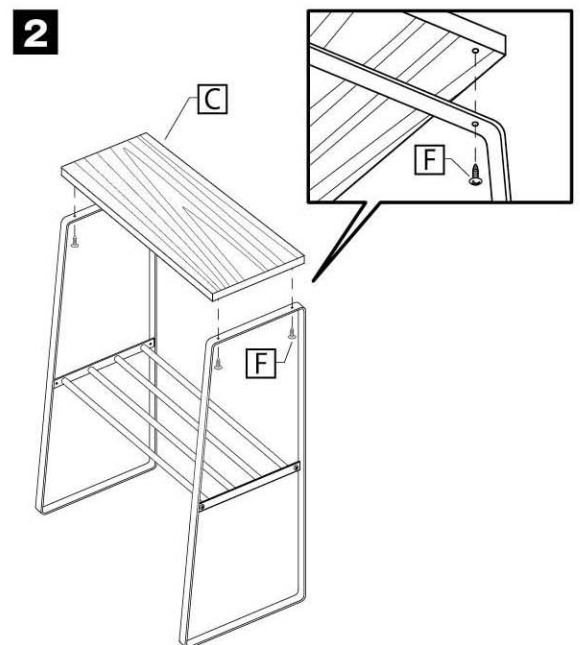
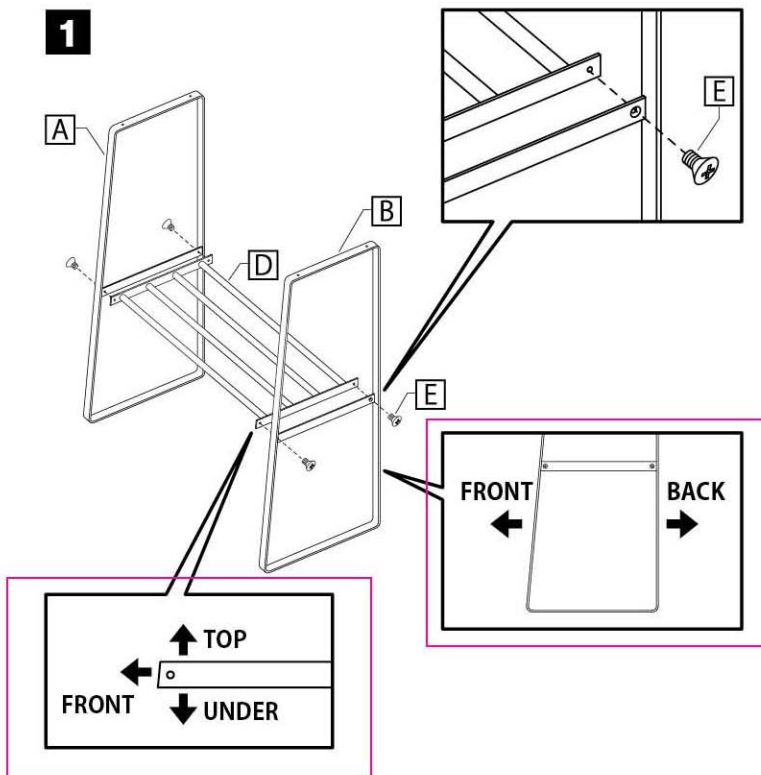


Assembly Troubleshooting

Please note the screw hole bevel on the frame pieces (A and B). The screw (E) should be inserted from the same side as this bevel, allowing the screw to sit flush with the frame when properly installed.

If the screw (E) is not sitting flat with the frame when installing the middle shelf (D), the screw has been inserted from the wrong side. Please see the detailed diagram below (with Part E) for guidance. The horizontal bar on the frame is on the side closest to the middle shelf.



EN/
tosca Side Table

SIZE
16.5" w x 8.7" d x 22.2" h
42w x 22d x 56.5h cm

MATERIAL
Steel, Wood

MAXIMUM WEIGHT
ONE SHELF 11 lbs / 5kg

Made in China.
Designed in Japan.

FR/
tosca Table d'appoint

TAILLE
42w x 22d x 56.5h cm

MATÉRIEL
Acier, Bois

POIDS MAXIMUM
UNE ÉTAGÈRE 5kg

Fabriqué en Chine.
Conçu au Japon.

DE/
tosca Beistelltisch

GRÖSSE
42w x 22d x 56.5h cm

MATERIAL
Stahl, Holz

MAXIMALGEWICHT
ein Fach 5kg

In China hergestellt.
Entworfen in Japan.

ES/
tosca Mesilla

TAMAÑO
42w x 22d x 56.5h cm

MATERIAL
Acero, Madera

PESO MÁXIMO
Un estante 5kg

Hecho en China.
Diseñado en Japón.

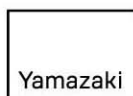
JP/
サイドテーブル トスカ

SIZE
42w x 22d x 56.5h cm

MATERIAL
本体・棚: スチール(粉体塗装)
天板: 天然木化粧繊維板(ラッカー塗装)

MAXIMUM WEIGHT
天板・棚: 各約5kg

Made in China.
Designed in Japan.



www.theyamazakihome.com

Imported by:
YAMAZAKI EUROPE GmbH / Immermannstr. 33, 40210 Düsseldorf, Germany
YAMAZAKI USA Inc. / 67 West St, Brooklyn, NY 11222 United States
YAMAZAKI Co., Ltd. / 奈良県生駒郡安堵町窪田851-1