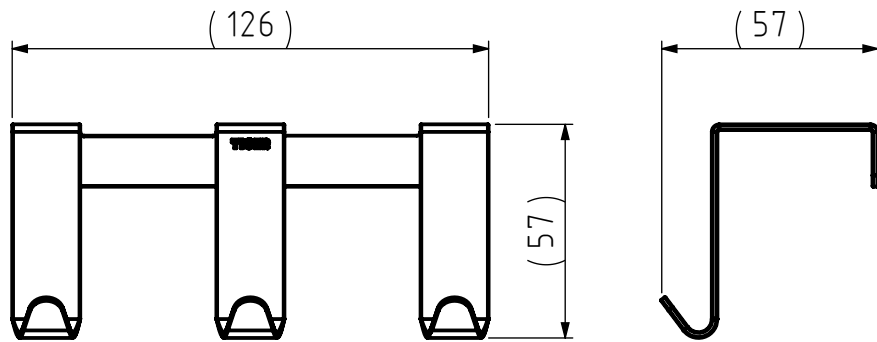
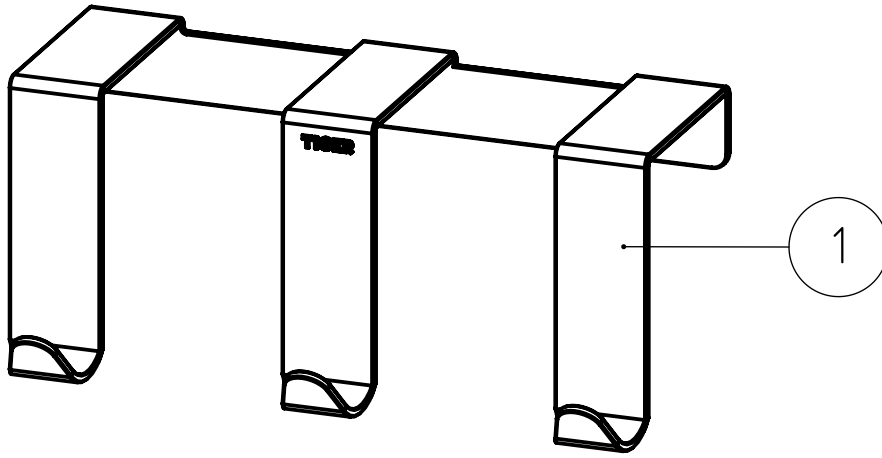


FINAL DRAWING



1	Basic rack 40mm	1	225.14.01	Stainless steel 304	Brushed
NR.	DESCRIPTION	QTY.	DRAW.NR.	MATERIAL	TREATMENT

GENERAL DIMENSION UNLESS OTHERWISE STATED ACCORDING TO DIN 7168								DESCRIPTION:		
CLASS	NOMINAL MEASUREMENTS (mm)								Basic rack 40mm	
	0.5 UNTIL 3	3 UNTIL 6	6 UNTIL 30	30 UNTIL 120	120 UNTIL 400	400 UNTIL 1000	1000 UNTIL 2000	2000 UNTIL 4000		
M (MIDDLE)	±0.1	±0.1	±0.2	±0.3	±0.5	±0.8	±1.2	±2		

PROJECTION:	GENERAL ANGLE:	EAN:	VERSION NAME:	ARTICLE NR.:
	±0,5°	4008911018400	stainless steel	1018.3.09.42

DRAWN BY:	MS	GENERAL ROUGHNESS:	0,8	PROJECT:	225-hooks 2016	TIGER Tiger Products b.v. Winde 3, PO box 11 5660 AA Geldrop The Netherlands
CHECKED BY:	FVP	UNITS:	mm			
DATE:	20-9-2016	SCALE:	1:2			
STATUS:	Production	FORMAT:	A4			
PRINT DATE:	8-4-2026	SHEET:	1/1			
INT.REV.NR.:	00					

The reproduction, distribution and utilization of this document as well as the communication of its contents to others without express authorization is prohibited. Offenders will be held liable for the payment of damages. All rights reserved in the event of the grant of a patent, utility model or design. Copyright reserved.