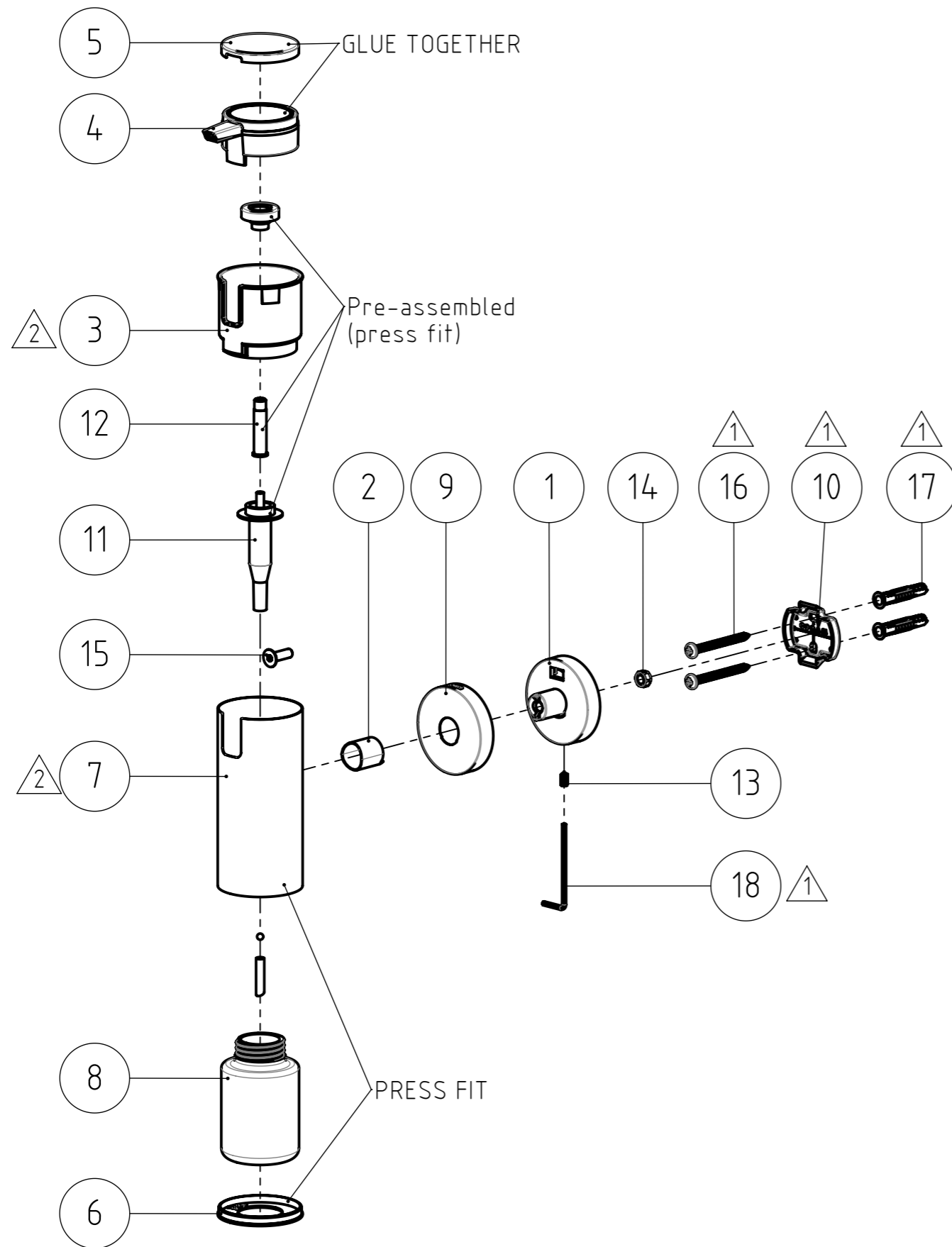
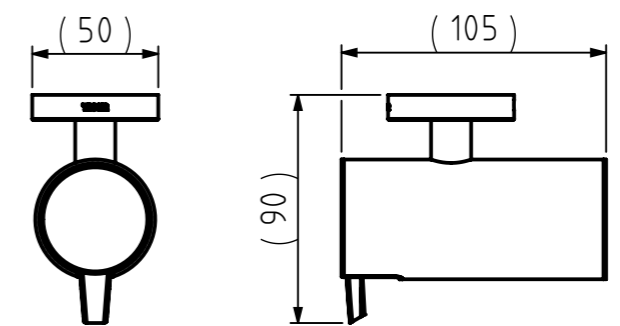


# FINAL DRAWING



## REVISIONS

REV.	DESCRIPTION	DATE	BY	APPROVED
1	- 040.01.02 Wall bracket 2 replaced by 226.01.01 Wallplate Type 1. - Screws, plugs and L-tool added to assembly drawing. - Black version created.	9-10-2017	MS	WW
2	- Radius added to sharp corners of Bottle housing small short. - Diameter of Ring cover changed.	26-2-2019	MS	MSm



NR.	DESCRIPTION	QTY.	DRAW.NR.	MATERIAL	TREATMENT
18	2mm Hexagonal L-tool	1	DIN.911	Tool steel	-
17	Fischer UX6 plug	2	FIX.0028	-	-
16	Cross recessed pan head tapping screw st4,2x45mm	2	DIN.7981 CZ	Stainless steel A2	-
15	HEX. SOCKET COUNTERSUNK (SMALL) HEAD SCREW, M5x16mm	1	DIN.7991	Stainless steel A2	-
14	SELF PREVAILING NUT, M5	1	DIN.0985	Stainless steel A2	-
13	HEX. SOCKET SET SCREW WITH CONE POINT, M4x8mm	1	DIN.0914	Stainless steel A2	-
12	PIPE	1	BUY.06.09	PP, TRANSLUCENT	TECHNICAL SMOOTH
11	PUMP TUBE	1	BUY.06.01	PP	CLEAR
10	Wallplate Type 1	1	226.03.02	Stainless steel AISI 304	Sand blasted
9	Cover	1	040.01.03	Stainless steel AISI 304	Polished - High gloss
8	BOTTLE SHORT	1	130.04.06	PET	TRANSPARENT
7	Bottle housing small short	1	130.04.03	Stainless steel AISI 304	Polished - High gloss
6	Bottom cover	1	130.01.08	PP - Black RAL 9005, semi gloss	Texture VDI 3400 ref.30 (standard)
5	Lid cover	1	130.01.07	Stainless steel AISI 304	Polished - High gloss
4	Dispenser lid	1	130.01.05	ABS - Black RAL 9005, semi gloss	Texture VDI 3400 ref.30 (standard)
3	Ring cover	1	130.01.04	ABS - Black RAL 9005, semi gloss	Texture VDI 3400 ref.30 (standard)
2	Support tube	1	130.01.02	Stainless steel AISI 304	Polished - High gloss
1	Wall support	1	130.01.01	Zamac3	Chromium Plated

GENERAL DIMENSION UNLESS OTHERWISE STATED ACCORDING TO DIN 7168

CLASS	NOMINAL MEASUREMENTS (mm)							
	0.5 UNTIL 3	3 UNTIL 6	6 UNTIL 30	30 UNTIL 120	120 UNTIL 400	400 UNTIL 1000	1000 UNTIL 2000	2000 UNTIL 4000
M (MIDDLE)	±0.1	±0.1	±0.2	±0.3	±0.5	±0.8	±1.2	±2

DESCRIPTION: Soap dispenser xs

VERSION NAME: chrome ARTICLE NR.: 3059.3.03.46

PROJECT: 130-Boston DRAWING NR.: 130.04.00.TC

PROJECT: 130-Boston DRAWING NR.: 130.04.00.TC

DATE: 1-4-2009 UNITS: mm PROJECT: 130-Boston DRAWING NR.: 130.04.00.TC

STATUS: Production SCALE: 1:3 PROJECT: 130-Boston DRAWING NR.: 130.04.00.TC

PRINT DATE: 3-10-2024 FORMAT: A3 PROJECT: 130-Boston DRAWING NR.: 130.04.00.TC

INT.REV.NR.: 0101 SHEET: 1/3 PROJECT: 130-Boston DRAWING NR.: 130.04.00.TC

**TIGER**  
Tiger Products b.v.  
Winde 3, PO box 11  
5660 AA Geldrop  
The Netherlands

The reproduction, distribution and utilization of this document as well as the communication of its contents to others without express authorization is prohibited. Offenders will be held liable for the payment of damages. All rights reserved in the event of the grant of a patent, utility model or design. Copyright reserved.