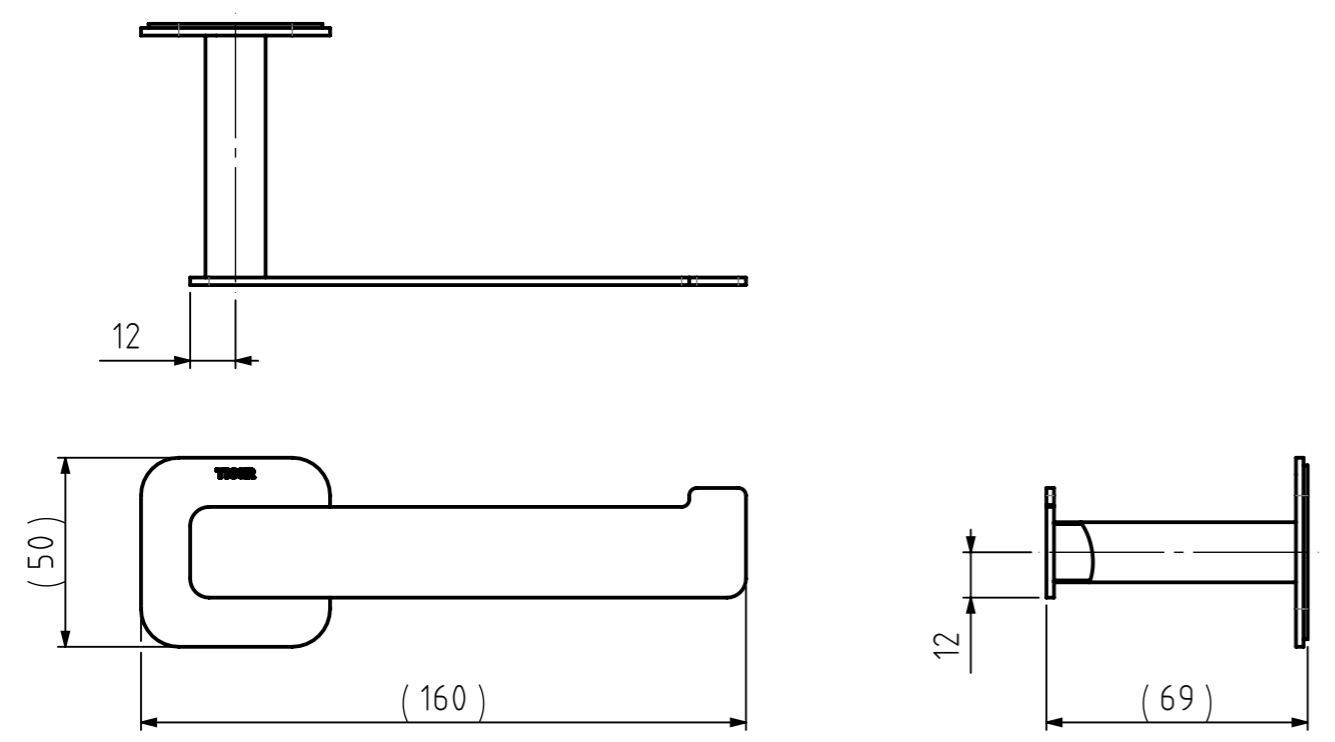
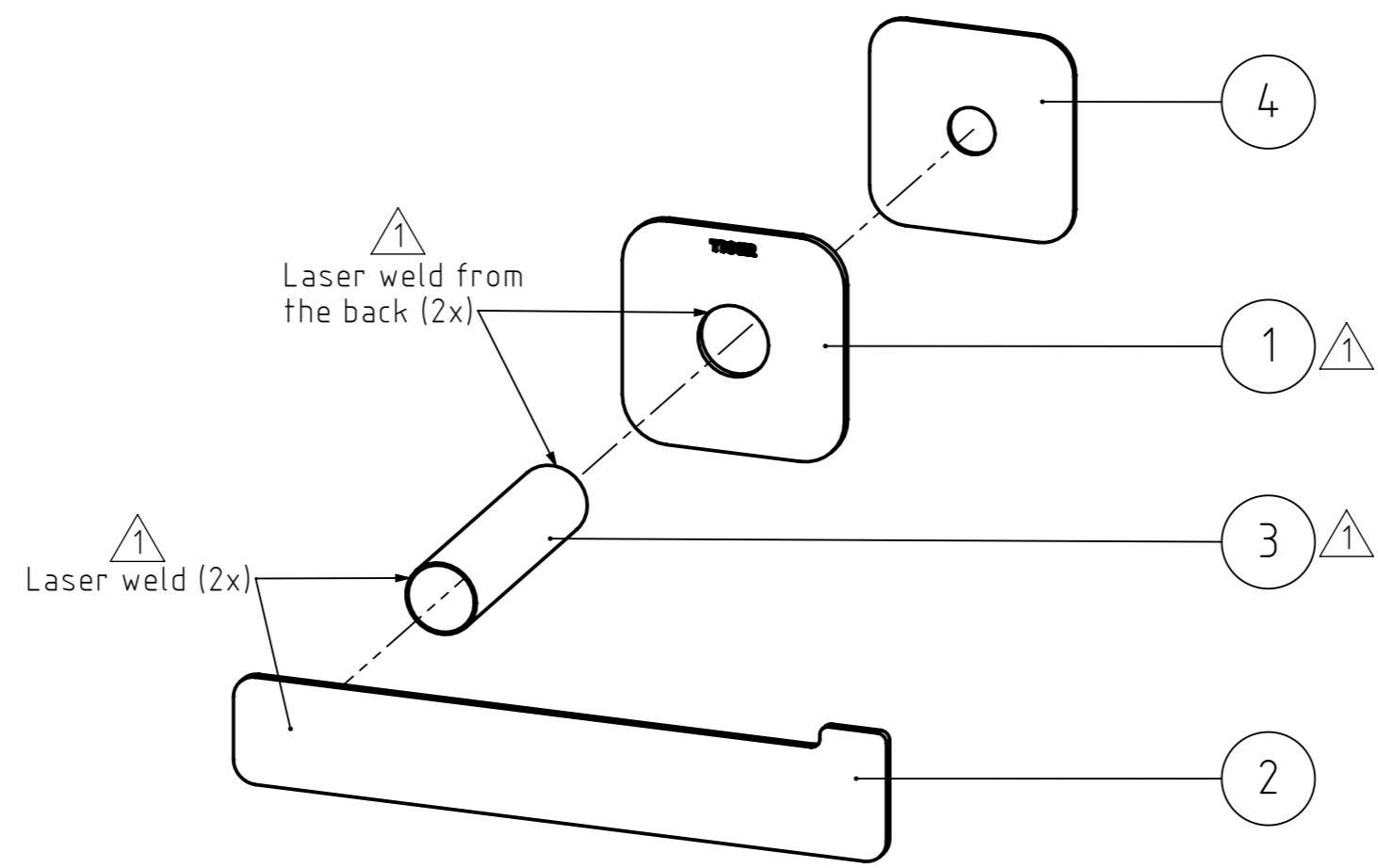


FINAL DRAWING

REVISIONS				
REV.	DESCRIPTION	DATE	BY	APPROVED
1	Black version added. Construction changed at makers suggestion. Weld nut, screw and connector removed, parts are now laser welded together, 205.01.01 Wall plate replaced with 205.09.04 Wall plate 2.	28-7-2021	MS	FvP



Remarks:
- Welds may not be visible from the front

NR.	DESCRIPTION	QTY.	DRAW.NR.	MATERIAL	TREATMENT
4	Tape pad big	1	205.04.08	3M Tape VHB GPH110 1.10mm	-
3	Tube	1	205.26.03	Stainless steel 304	Brushed
2	Toilet roll holder rigid	1	205.26.01	Stainless steel 304	Brushed
1	Wall plate 2 (top logo)	1	205.09.04	Stainless steel 304	Brushed

GENERAL DIMENSION UNLESS OTHERWISE STATED ACCORDING TO DIN 7168		DESCRIPTION:					
CLASS	NOMINAL MEASUREMENTS (mm)						Toilet roll holder rigid
	0.5 UNTIL 3	3 UNTIL 6	6 UNTIL 30	30 UNTIL 120	120 UNTIL 400	400 UNTIL 2000	
M (MIDDLE)	±0.1	±0.1	±0.2	±0.3	±0.5	±0.8	±1.2
PROJECTION:	GENERAL ANGLE: ±0,5°		VERSION NAME: stainless steel	ARTICLE NR. (packed product): 1313930946 (for packaging information see GDS)			
DRAWN BY:	MS	GENERAL ROUGHNESS: 0,8	PROJECT: 205-Colar		 Tiger Products b.v. Winde 3, PO box 11 5660 AA Geldrop The Netherlands		
CHECKED BY:			DRAWING NR: 205.26.00.TS				
DATE:	23-5-2016	UNITS: mm					
STATUS:	Production	SCALE: 1:2					
PRINT DATE:	14-4-2026	FORMAT: A3					
INT.REV.NR.:	01	SHEET: 1/3					

The reproduction, distribution and utilization of this document as well as the communication of its contents to others without express authorization is prohibited. Offenders will be held liable for the payment of damages. All rights reserved in the event of the grant of a patent, utility model or design. Copyright reserved.