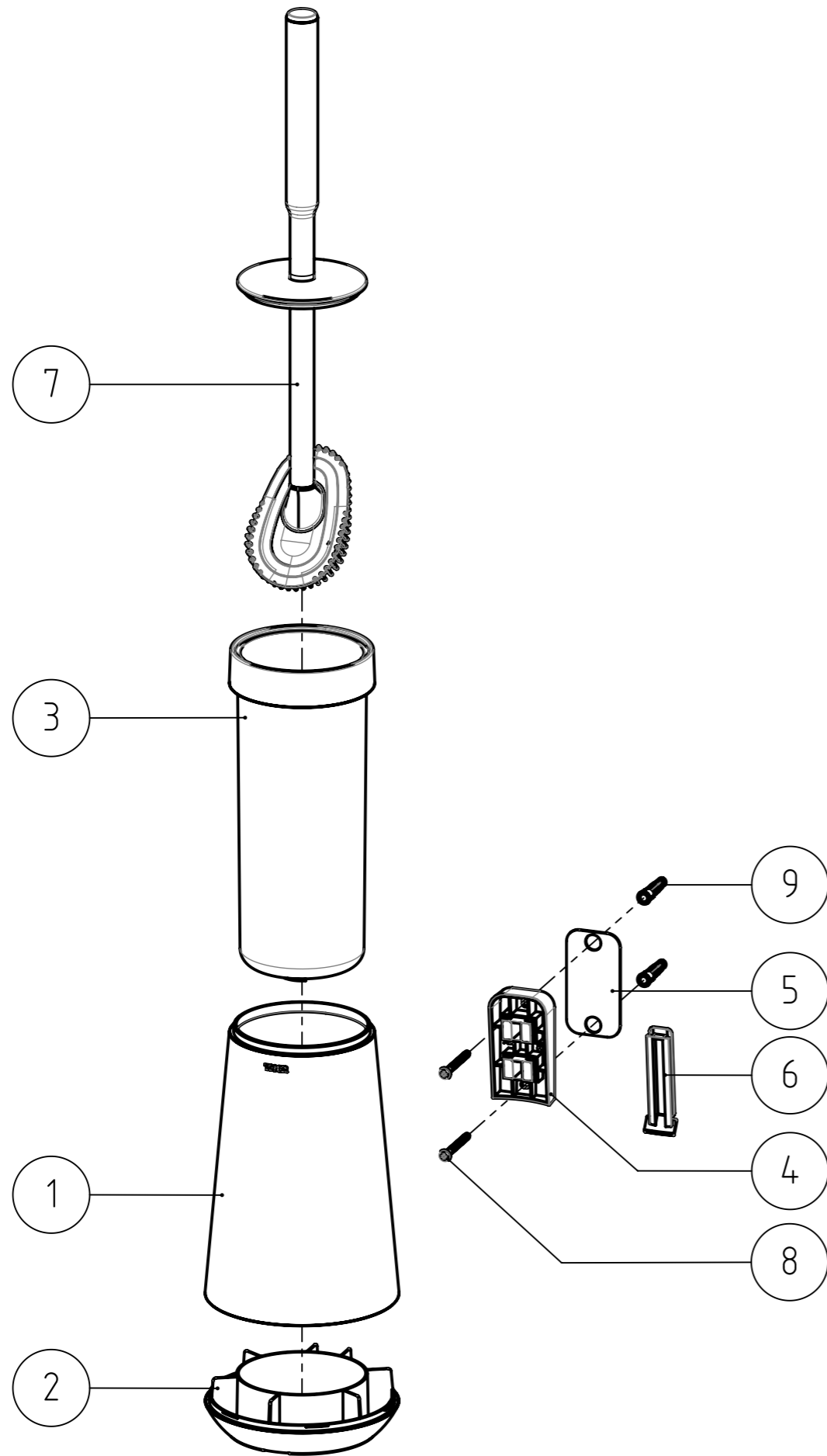


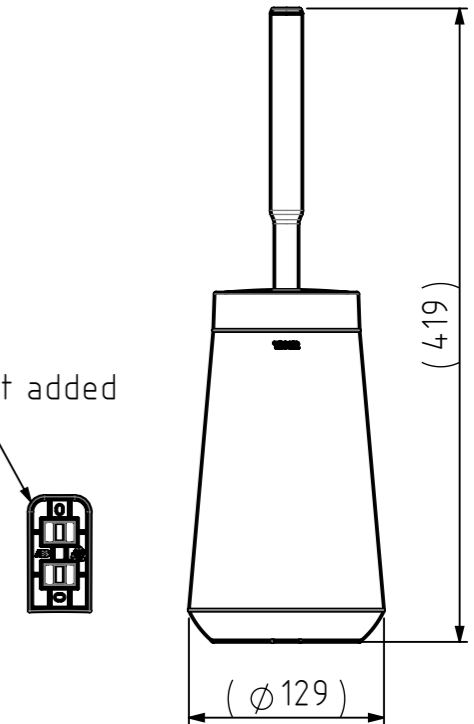
FINAL DRAWING



REVISIONS

| REV. | DESCRIPTION | DATE | BY | APPROVED |
|------|------------------|------|----|----------|
| - | See 264.04.00.TB | - | - | - |

Wall bracket added separately



Remarks:

- Screws and plugs added to fixation set.
- Tape pad attached to wall bracket.
- Wall bracket added separately.

| NR. | DESCRIPTION | QTY. | DRAW.NR. | MATERIAL | TREATMENT |
|-----|---|------|-------------|------------------------------------|---------------------------------|
| 9 | Fischer UX6 plug | 2 | FIX.0028 | - | - |
| 8 | Cross recessed pan head tapping screw st4,2x45mm | 2 | DIN.7981 CZ | Stainless steel A2 | - |
| 7 | Flexible Toilet Brush Spare | 1 | 256.03.00 | See sub-assembly Black version | See sub-assembly Black version |
| 6 | Cover | 1 | 264.04.06 | PP - Black RAL 9005, matt | Texture VDI 3400 ref.27 (light) |
| 5 | Tape pad | 1 | 264.04.05 | 3M VHB tape 4945 white 1,1 mm | - |
| 4 | Wall bracket | 1 | 264.04.04 | ABS - Dark blue Pantone 541U, matt | Texture VDI 3400 ref.27 (light) |
| 3 | Inner pot | 1 | 264.04.03 | PP - Dark blue Pantone 541U, matt | Texture VDI 3400 ref.27 (light) |
| 2 | Bottom part | 1 | 264.04.02 | PP - Dark blue Pantone 541U, matt | Texture VDI 3400 ref.27 (light) |
| 1 | Top part | 1 | 264.04.01 | PP - Dark blue Pantone 541U, matt | Texture VDI 3400 ref.27 (light) |

| GENERAL DIMENSION UNLESS OTHERWISE STATED ACCORDING TO DIN 7168 | | | | | | | DESCRIPTION: | |
|---|---------------------------|-----------|--------------------|--------------|---------------|----------------|--|----|
| CLASS | NOMINAL MEASUREMENTS (mm) | | | | | | Toilet brush and holder | |
| | 0.5 UNTIL 3 | 3 UNTIL 6 | 6 UNTIL 30 | 30 UNTIL 120 | 120 UNTIL 400 | 400 UNTIL 1000 | | |
| M (MIDDLE) | ±0.1 | ±0.1 | ±0.2 | ±0.3 | ±0.5 | ±0.8 | ±1.2 | ±2 |
| PROJECTION: | GENERAL ANGLE: | | EAN: | | VERSION NAME: | | ARTICLE NR.: | |
| | ±0,5° | | 4008911329452 | | dark blue | | 1329427246 | |
| DRAWN BY: | MS | | GENERAL ROUGHNESS: | | PROJECT: | | TIGER Tiger Nederland b.v. Winde 3, PO box 11 5660 AA Geldrop The Netherlands | |
| CHECKED BY: | | | 0,8/✓ | | 264-Tess | | | |
| DATE: | 30-4-2019 | | UNITS: | | DRAWING NR.: | | | |
| STATUS: | Production | | mm | | 264.04.00.TDB | | | |
| PRINT DATE: | 8-4-2026 | | SCALE: | | | | | |
| INT.REV.NR.: | 05 | | FORMAT: | | | | | |
| | | | SHEET: | | | | | |
| | | | 3/3 | | | | | |