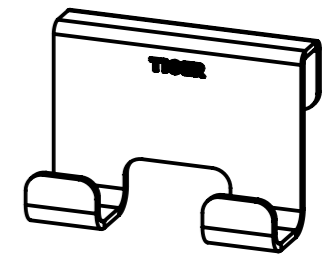
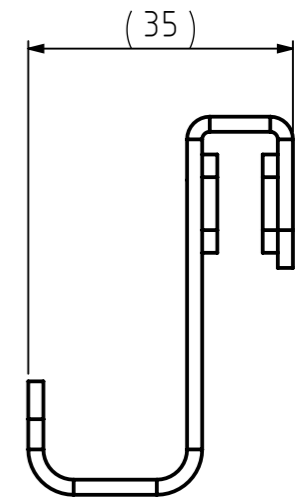
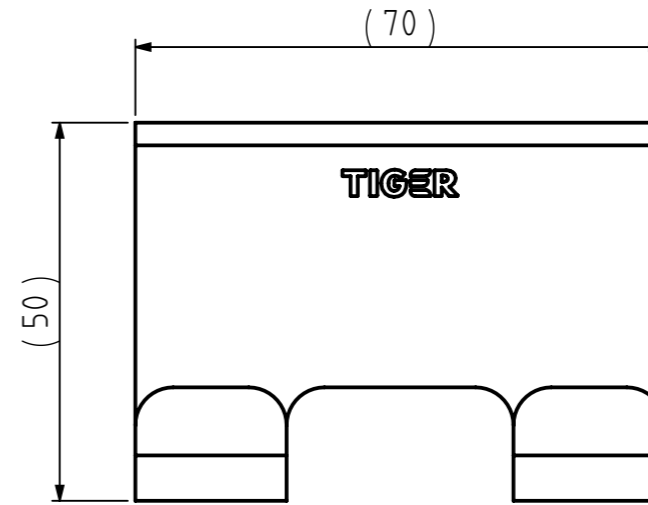
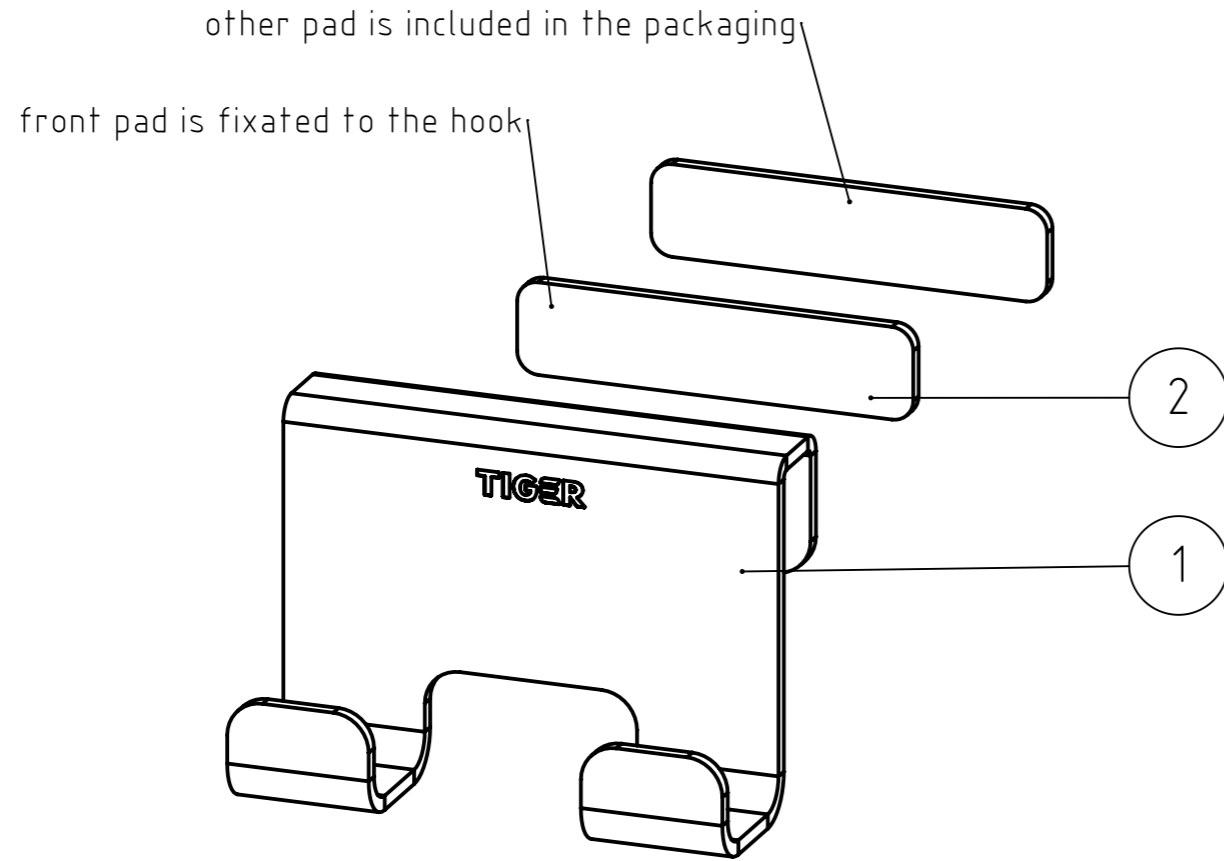


# FINAL DRAWING



2	Protection pad	2	207.09.02	Silicone rubber, Grey, 60 Shore A, with 3M tape	One side adhesive			
1	Glass hook	1	207.09.01	Stainless steel 304	Brushed			
NR.	DESCRIPTION	QTY.	DRAW.NR.	MATERIAL	TREATMENT			
GENERAL DIMENSION UNLESS OTHERWISE STATED ACCORDING TO DIN 7168			DESCRIPTION:					
CLASS	NOMINAL MEASUREMENTS (mm)						Glass hook	
	0.5 UNTIL 3	3 UNTIL 6	6 UNTIL 30	30 UNTIL 120	120 UNTIL 400	400 UNTIL 1000		1000 UNTIL 2000
M (MIDDLE)	±0.1	±0.1	±0.2	±0.3	±0.5	±0.8	±1.2	±2
PROJECTION:	GENERAL ANGLE:		EAN:			VERSION NAME:	ARTICLE NR.:	
	±0,5°		4008911401035			stainless steel	1401230946	
DRAWN BY:	FVP	GENERAL ROUGHNESS:		0,8/√		PROJECT:	<b>TIGER</b> Tiger Nederland b.v. Winde 3, PO box 11 5660 AA Geldrop The Netherlands	
CHECKED BY:	MS	UNITS:		mm		207-Caddy		
DATE:	3-4-2020	SCALE:		1:1		DRAWING NR.:		
STATUS:	Production	FORMAT:		A3		207.09.00.TS		
PRINT DATE:	8-4-2025	SHEET:		1/3				
INT.REV.NR.:	00							

The reproduction, distribution and utilization of this document as well as the communication of its contents to others without express authorization is prohibited. Offenders will be held liable for the payment of damages. All rights reserved in the event of the grant of a patent, utility model or design. Copyright reserved.