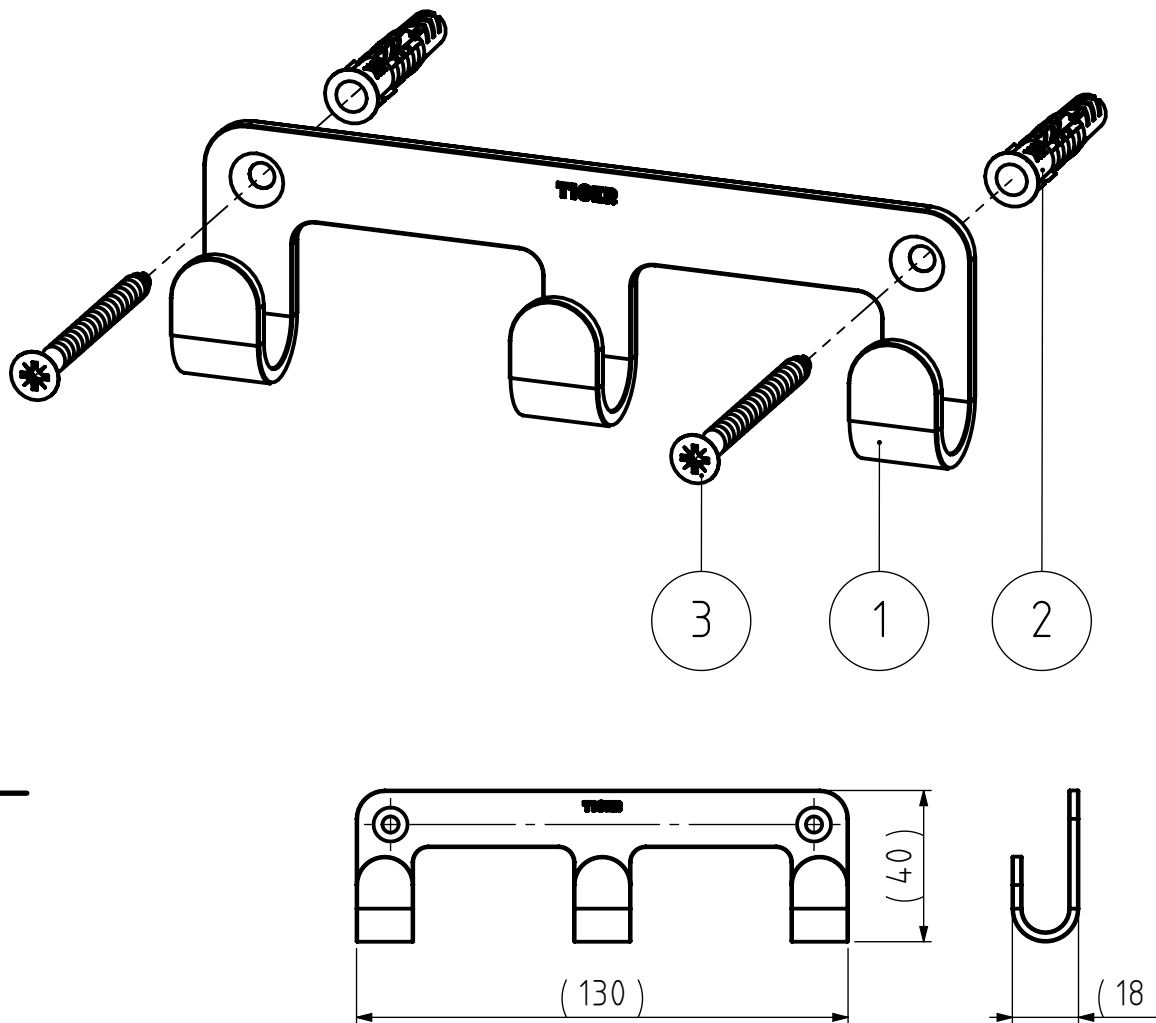


# FINAL DRAWING



3	Cross recessed countersunk head tapping screw	2	DIN.7982 CZ	Stainless steel A2	-
2	Fischer UX6 plug	2	FIX.0028	-	-
1	Rack Simple	1	225.26.01	Stainless steel 304	Brushed
NR.	DESCRIPTION	QTY.	DRAW.NR.	MATERIAL	TREATMENT

GENERAL DIMENSION UNLESS OTHERWISE STATED ACCORDING TO DIN 7168				DESCRIPTION:					
CLASS	NOMINAL MEASUREMENTS (mm)							Rack Simple	
	0.5 UNTIL 3	3 UNTIL 6	6 UNTIL 30	30 UNTIL 120	120 UNTIL 400	400 UNTIL 1000	1000 UNTIL 2000		
M (MIDDLE)	±0.1	±0.1	±0.2	±0.3	±0.5	±0.8	±1.2	±2	
PROJECTION:	GENERAL ANGLE:	EAN:	VERSION NAME:		ARTICLE NR.:				
	±0,5°	4008911102017	stainless steel		11021.3.09.42				
DRAWN BY:	MS	GENERAL ROUGHNESS:	PROJECT:		 Tiger Products b.v. Winde 3, PO box 11 5660 AA Geldrop The Netherlands				
CHECKED BY:	FVP		225-hooks 2016						
DATE:	30-3-2017	UNITS:	DRAWING NR.:						
STATUS:	Production	SCALE:	225.26.00.TS						
PRINT DATE:	8-4-2026	FORMAT:							
INT.REV.NR.:	00	SHEET:	1/1						

The reproduction, distribution and utilization of this document as well as the communication of its contents to others without express authorization is prohibited. Offenders will be held liable for the payment of damages. All rights reserved in the event of the grant of a patent, utility model or design. Copyright reserved.