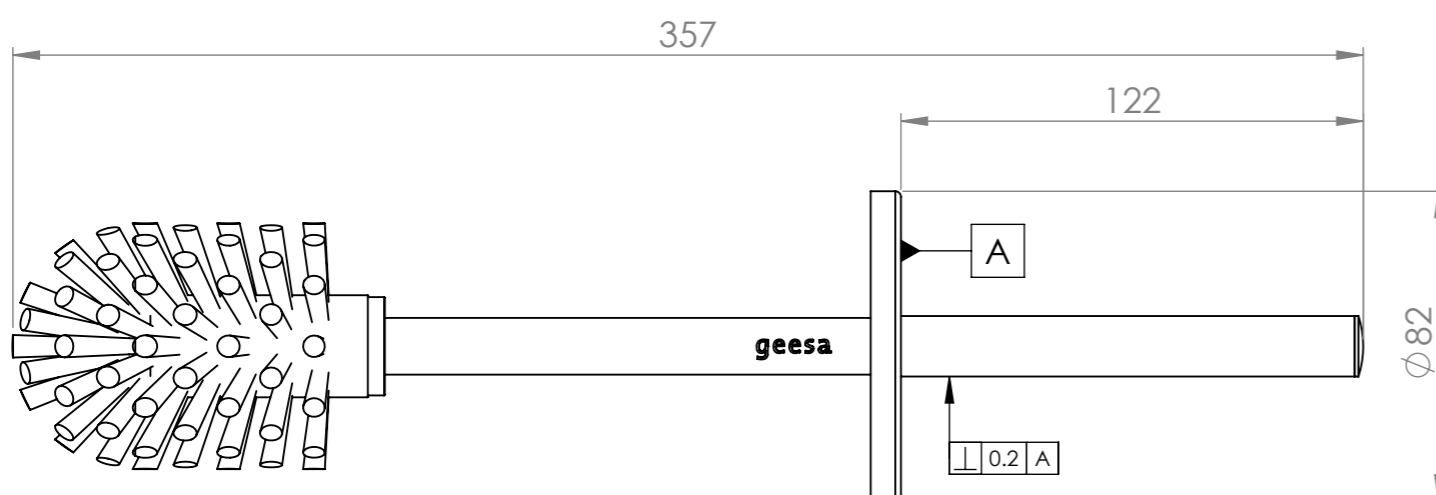
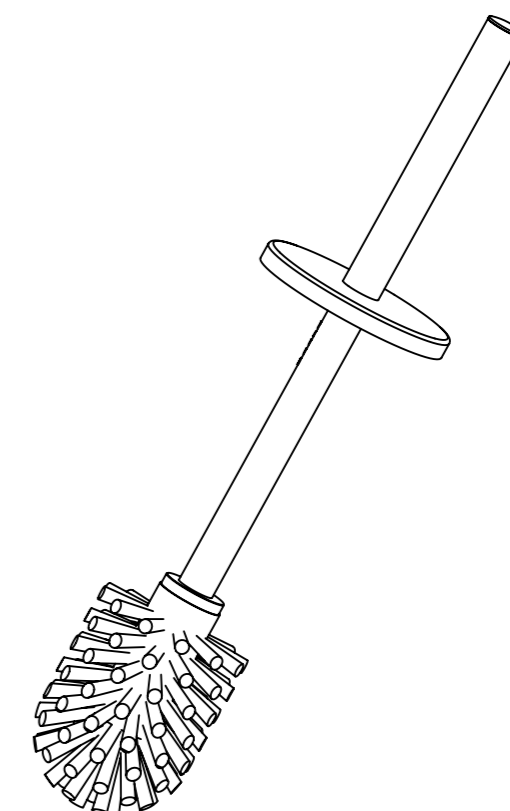
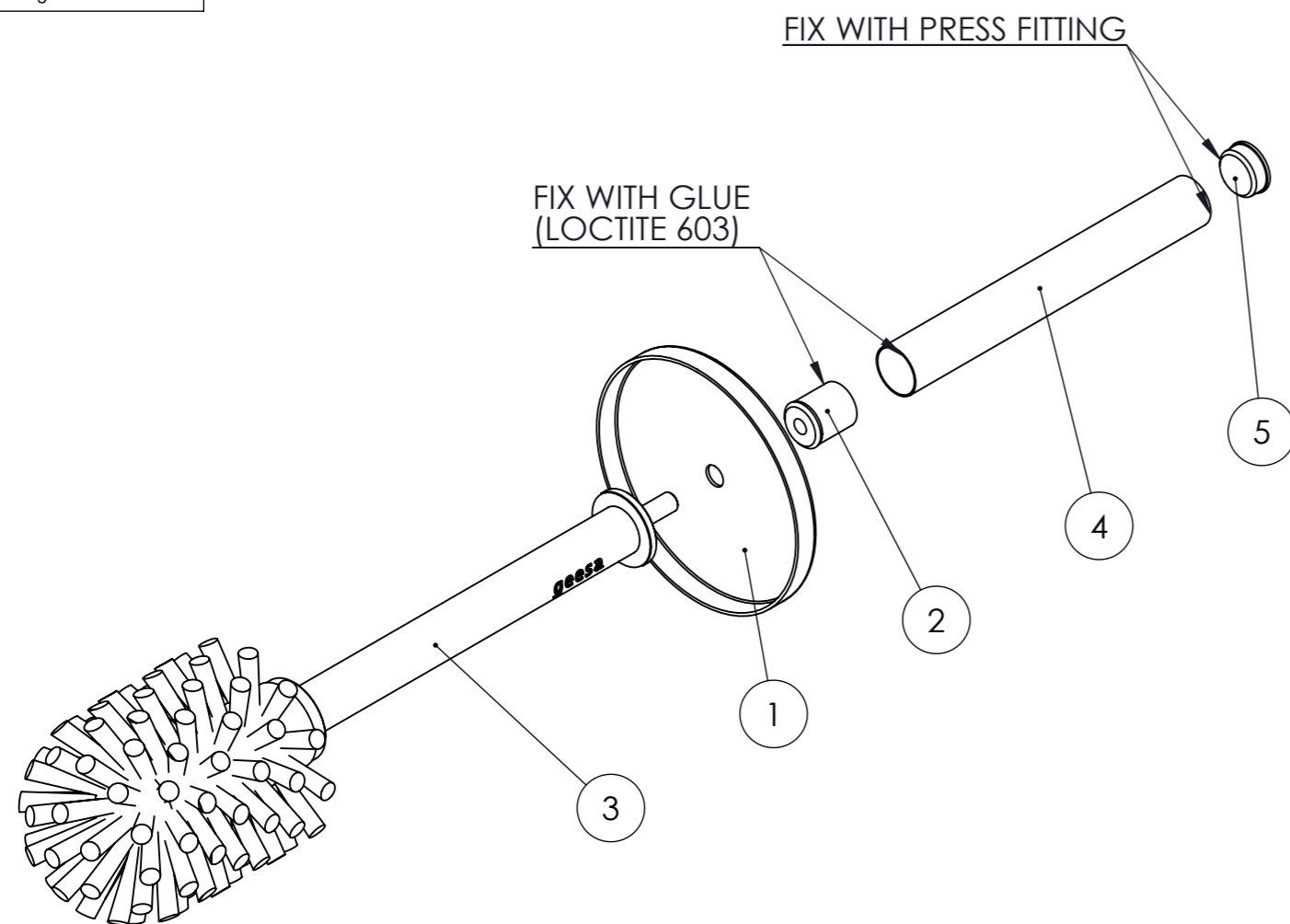


Unless otherwise specified:
Angle Dimension +/- 0.5 degrees
Linear Dimension +/- 0.5 mm
Corners and edges 0.2 mm

REV	DATE	MODIFIED BY	DESCRIPTION
2	24-09-2015	N.U.	Modified several parts
3	22-02-2016	N.U.	Updated file brush, changed title
4	21-09-2016	SL	updated parts, chrome finish



- Surfaces must be free from scratches, burrs and dents
- A 3D file is linked to this drawing, for additional information please check 3D file.

NO.	QTY.	Drawing nr.	Article nr.	DESCRIPTION	MATERIAL	NOTES
5	1	004973		Cap Ø16mm	Stainl.st. 304 (1.4301)	
4	1	004948		Handle Ø16x120mm	Stainl.st. 304 (1.4301)	
3	1	013356	22224450-G	Brush Ø65mm with 140mm connector, Black	-	supplier = G-rep
2	1	002996		Bush	ABS	
1	1	001496	227510-3	Cover top brush holder	Stainl.st. 304 (1.4301)	

Title Handle with brush for 916510-06, 916511-06 and 91633-06				Note		
Material -				Series Nemox		
Norm.				Article nr. 91224419		
Finish				Drawing nr. 005479		
Weight (gr) 194.77				A3		
Vol. (cm³) 116.96				Sheet no.		
Am. projectie		Scale: 1:2	Revision 04	Drawn M. Weststrate 17-11-2011	Sheet1/No.of sheets 1	
Checked SL		21-09-2016				

