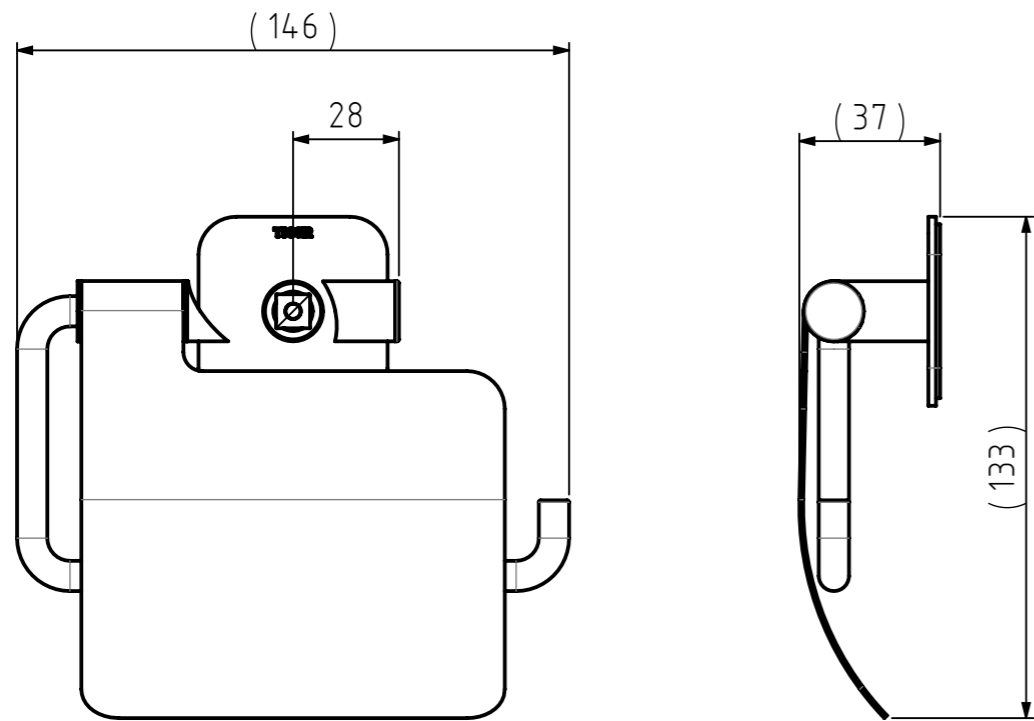
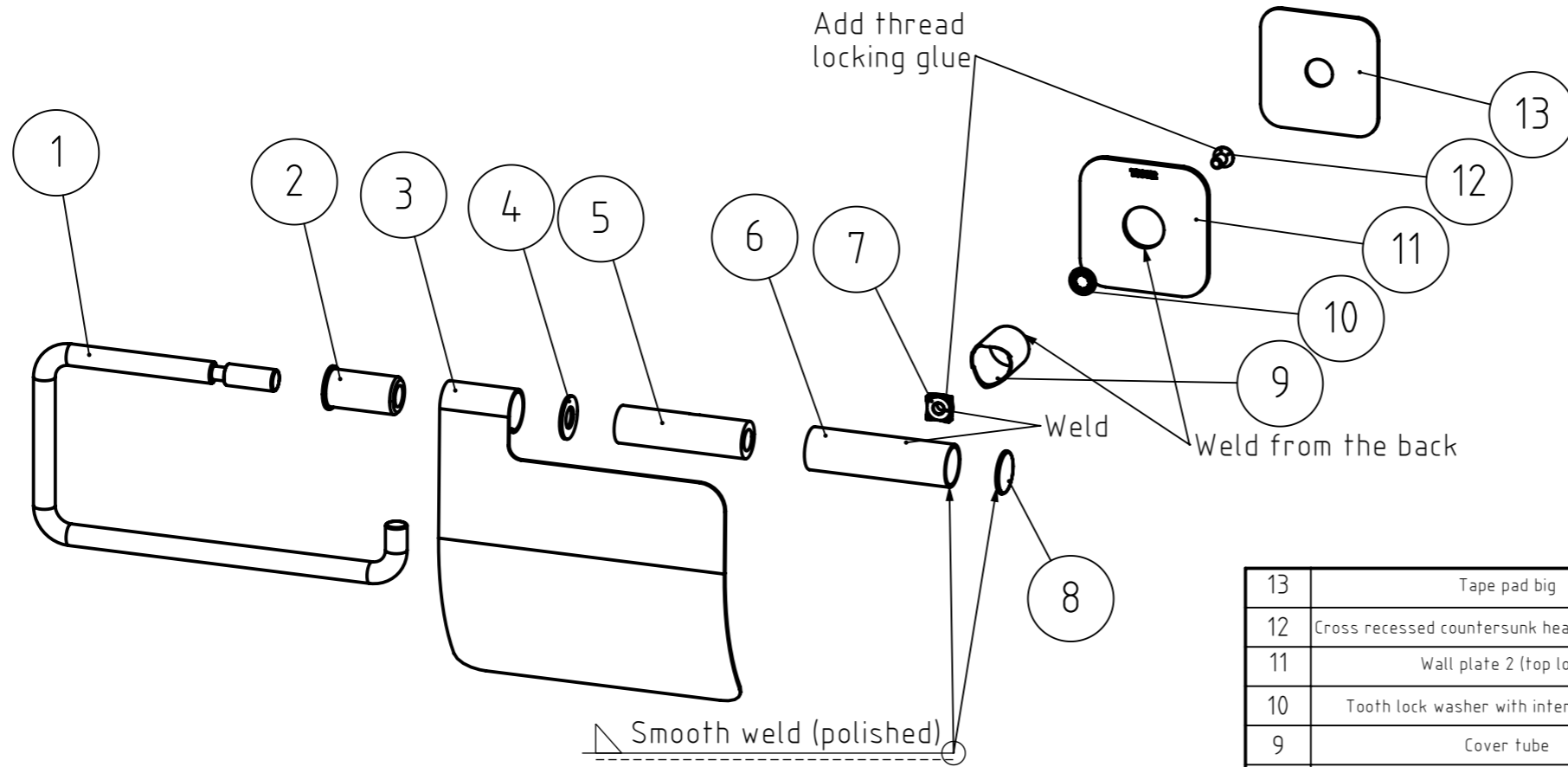


# FINAL DRAWING

REVISIONS				
REV.	DESCRIPTION	DATE	BY	APPROVED
-	See 205.25.00.TS	-	-	-



13	Tape pad big	1	205.04.08	3M Tape VHB GPH110 1.10mm	-
12	Cross recessed countersunk head screw M4x8mm	1	ISO 7046	STAINLESS STEEL A2	-
11	Wall plate 2 (top logo)	1	205.09.04	Stainless steel AISI 430	Powder coated, texture VDI 3400 ref.30 - RAL 9005 (Jet black)
10	Tooth lock washer with internal teeth M5	1	DIN.6797	Stainelss steel A2	-
9	Cover tube	1	205.04.07	Stainless steel AISI 430	Powder coated, texture VDI 3400 ref.30 - RAL 9005 (Jet black)
8	Hinge end piece	1	205.24.04	Stainless steel AISI 430	Powder coated, texture VDI 3400 ref.30 - RAL 9005 (Jet black)
7	SQUARE WELD NUT, M5	1	DIN.928	STAINLESS STEEL	-
6	Hinge tube	1	205.24.03	Stainless steel AISI 430	Powder coated, texture VDI 3400 ref.30 - RAL 9005 (Jet black)
5	Bush	1	205.24.01	PA 6 - Black RAL 9005, semi gloss	Technical Smooth
4	Ring	1	205.25.03	PA 6 - Black RAL 9005, semi gloss	Technical Smooth
3	Lid	1	205.25.01	Stainless steel AISI 430	Powder coated, texture VDI 3400 ref.30 - RAL 9005 (Jet black)
2	Bush	1	205.25.02	PA 6 - Black RAL 9005, semi gloss	Technical Smooth
1	Arm	1	205.24.02	Stainless steel AISI 430	Powder coated, texture VDI 3400 ref.30 - RAL 9005 (Jet black)
NR.	DESCRIPTION	QTY.	DRAW.NR.	MATERIAL	TREATMENT

GENERAL DIMENSION UNLESS OTHERWISE STATED ACCORDING TO DIN 7168		DESCRIPTION:	
CLASS		NOMINAL MEASUREMENTS (mm)	
	0.5 UNTIL 3	3 UNTIL 6	6 UNTIL 30
		30 UNTIL 120	120 UNTIL 400
		400 UNTIL 1000	1000 UNTIL 2000
		2000 UNTIL 4000	
M (MIDDLE)	±0.1	±0.2	±0.3
		±0.5	±0.8
		±1.2	±2
PROJECTION:	GENERAL ANGLE:	VERSION NAME:	ARTICLE NR. (packed product):
	±0,5°	black	1314130746
			(for packaging information see GDS)
DRAWN BY:	MS	GENERAL ROUGHNESS:	PROJECT:
CHECKED BY:		0,8	205-Colar
DATE:	23-5-2016	UNITS:	DRAWING NR.:
STATUS:	Production	mm	205.25.00.TB
PRINT DATE:	14-4-2026	SCALE:	Tiger Products b.v. Winde 3, PO box 11 5660 AA Geldrop The Netherlands
INT.REV.NR.:	04	1:2	
		FORMAT:	
		A3	
		SHEET:	
		3/3	

The reproduction, distribution and utilization of this document as well as the communication of its contents to others without express authorization is prohibited. Offenders will be held liable for the payment of damages. All rights reserved in the event of the grant of a patent, utility model or design. Copyright reserved.