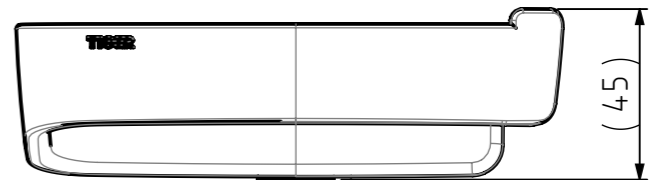
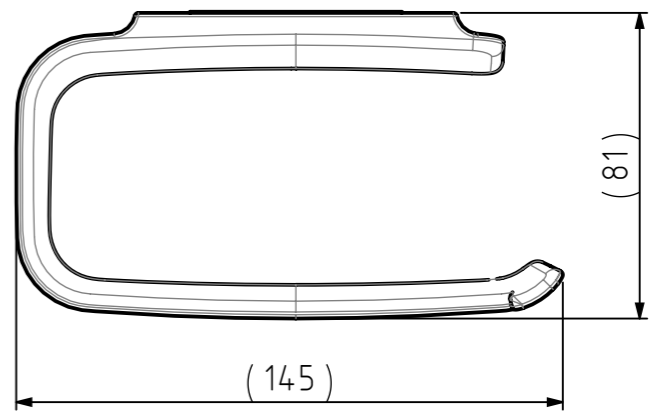
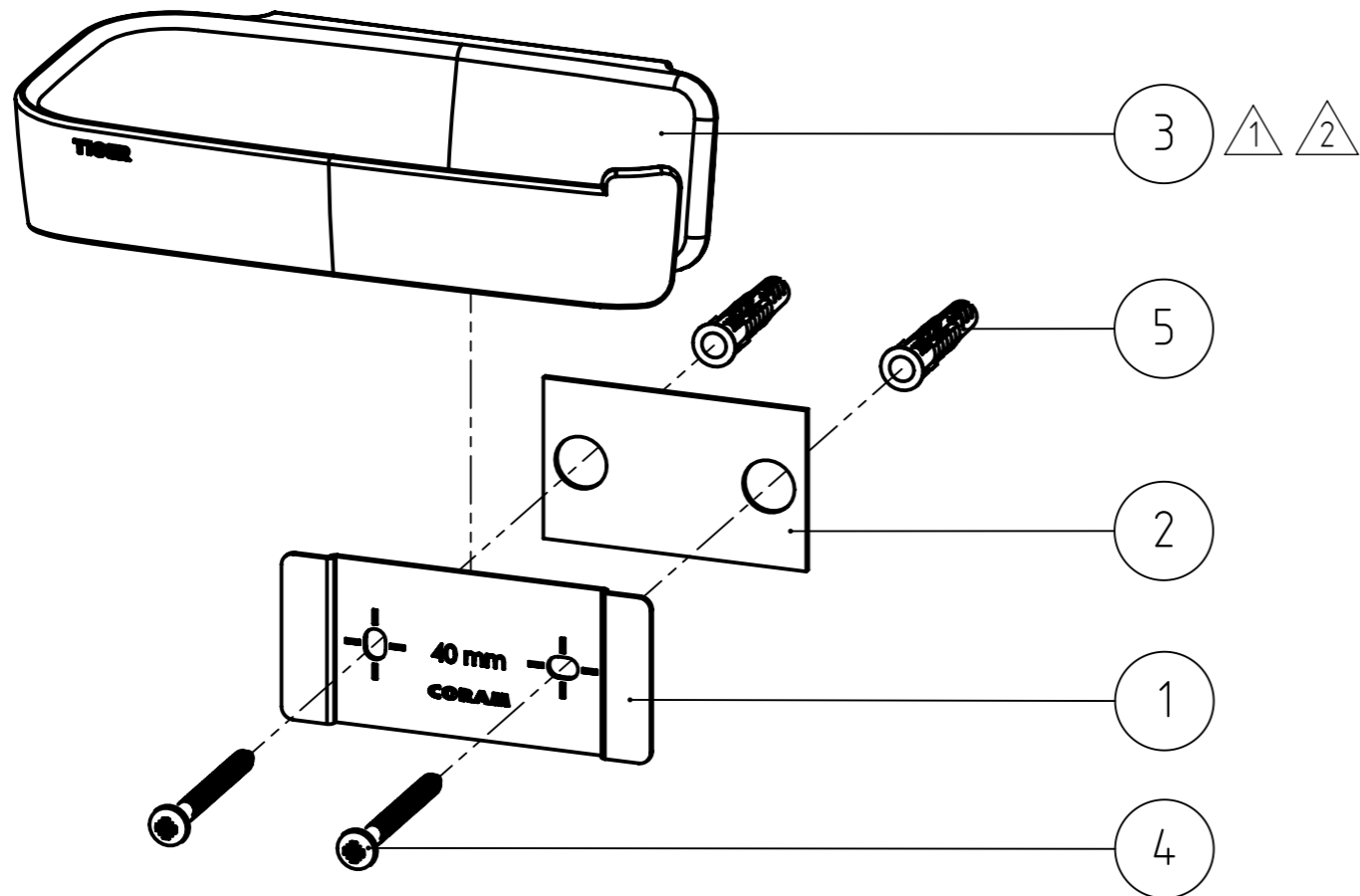


# FINAL DRAWING

REVISIONS				
REV.	DESCRIPTION	DATE	BY	APPROVED
1	Colour of 264.03.01 Toilet roll holder small changed for Black version to Pantone 426 U.	15-10-2020	MS	TvD
2	Colour of 264.03.01 Toilet roll holder small changed for Black version to Black RAL 9005.	27-11-2020	MS	TvD



Remarks:  
 - Screws and plugs added to fixation set.  
 - Tape pad attached to wall plate.

NR.	DESCRIPTION	QTY.	DRAW.NR.	MATERIAL	TREATMENT
5	Fischer UX6 plug	2	FIX.0028	-	-
4	Cross recessed pan head tapping screw st4,2x45mm	2	DIN.7981 CZ	Stainless steel A2	-
3	Toilet roll holder small	1	264.03.01	ABS - Black RAL 9005, Matt	Texture VDI 3400 ref.27 (light)
2	Tape pad	1	264.01.05	3M VHB tape 4945 white 1,1 mm	-
1	Wall plate	1	264.01.02	Stainless steel AISI 304	-

GENERAL DIMENSION UNLESS OTHERWISE STATED ACCORDING TO DIN 7168							DESCRIPTION:		
CLASS	NOMINAL MEASUREMENTS (mm)						Toilet roll holder small		
	0.5 UNTIL 3	3 UNTIL 6	6 UNTIL 30	30 UNTIL 120	120 UNTIL 400	400 UNTIL 1000			
M (MIDDLE)	±0.1	±0.1	±0.2	±0.3	±0.5	±0.8	±1.2	±2	
PROJECTION:	GENERAL ANGLE:		EAN:		VERSION NAME:			ARTICLE NR.:	
	±0,5°		4008911329018		black			1329020746	
DRAWN BY:	MS		GENERAL ROUGHNESS:		PROJECT:			 Tiger Nederland b.v. Winde 3, PO box 11 5660 AA Geldrop The Netherlands	
CHECKED BY:			0,8/✓		264-Tess				
DATE:	16-5-2019		UNITS:		DRAWING NR.:				
STATUS:	Production		mm		264.03.00.TB				
PRINT DATE:	8-4-2026		SCALE:						
INT.REV.NR.:	02		FORMAT:						
			SHEET:						
			1/2						

The reproduction, distribution and utilization of this document as well as the communication of its contents to others without express authorization is prohibited. Offenders will be held liable for the payment of damages. All rights reserved in the event of the grant of a patent, utility model or design. Copyright reserved.