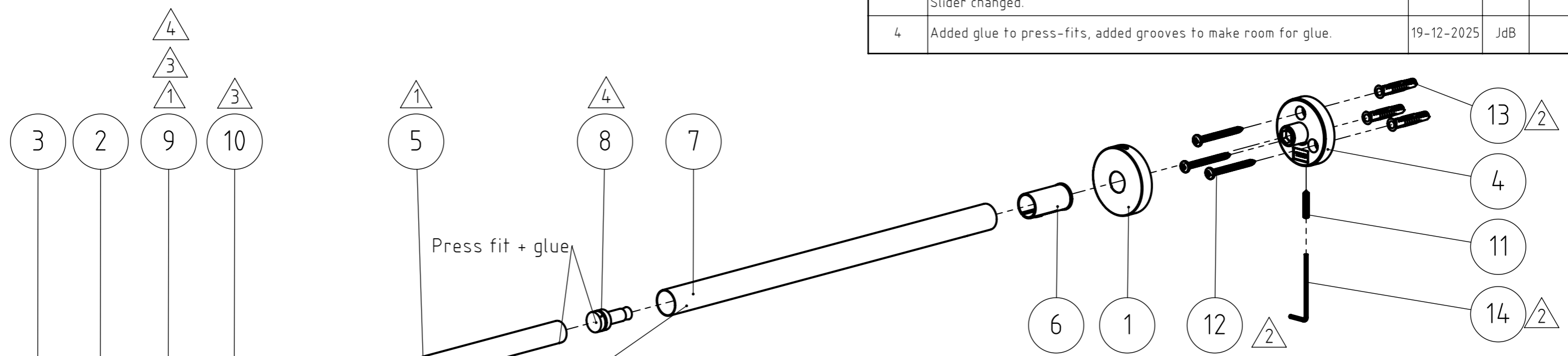
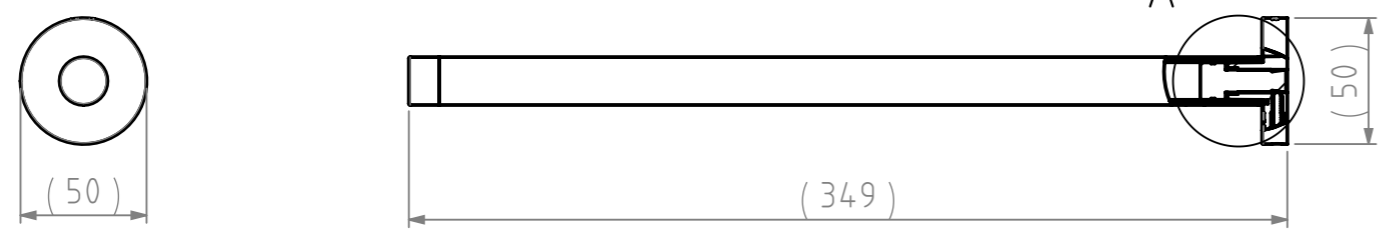
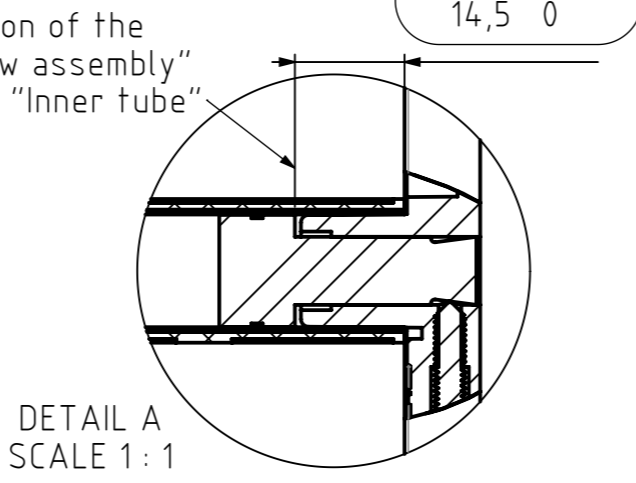


# FINAL DRAWING

REVISIONS				
REV.	DESCRIPTION	DATE	BY	APPROVED
1	- Holes added for air disposal.	6-10-2017	JHL	FH
2	- Screws, plugs and L-tool added to assembly drawing. - Black version created.	6-10-2017	MS	WW
3	- O-ring size changed, dimensions of Guide changed, inner diameter of Slider changed.	24-1-2020	MS	TvD
4	Added glue to press-fits, added grooves to make room for glue.	19-12-2025	JdB	



NR.	DESCRIPTION	QTY.	DRAW.NR.	MATERIAL	TREATMENT
14	2mm Hexagonal L-tool	1	DIN.911	Tool steel	-
13	Fischer UX6 plug	3	FIX.0028	-	-
12	Cross recessed pan head tapping screw st4,2x45mm	3	DIN.7981 CZ	Stainless steel A2	-
11	HEX. SOCKET SET SCREW WITH CONE POINT, M4x20mm	1	DIN.0914	Stainless steel A2	-
10	O-RING: I.D. 13 W. 2,5	1	BUY-IN	RUBBER, BLACK	Technical Smooth
9	Guide	1	040.38.05	Stainless steel AISI 304	-
8	Screw assembly	1	040.38.04	Stainless steel AISI 304	-
7	Outer tube	1	040.38.03	Stainless steel AISI 304	Polished - High gloss
6	Slider	1	040.38.02	PA 6 - Transparant white RAL 9002	Technical Smooth
5	Inner tube	1	040.38.01	Stainless steel AISI 304	Polished - High gloss
4	Wall bracket 3PT	1	040.15.04	Zamac3	Chromium Plated
3	End cap	1	040.03.07	Stainless steel AISI 304	Polished - High gloss
2	Tube connector A	1	040.03.03	Zamac3	Chromium Plated
1	Cover	1	040.01.03	Stainless steel AISI 304	Polished - High gloss



GENERAL DIMENSION UNLESS OTHERWISE STATED ACCORDING TO DIN 7168		DESCRIPTION:	
NOMINAL MEASUREMENTS (mm)		Towelrail telescopic	
CLASS	0.5 UNTIL 3 3 UNTIL 6 6 UNTIL 30 30 UNTIL 120 120 UNTIL 400 400 UNTIL 1000 1000 UNTIL 2000 2000 UNTIL 4000	VERSION NAME: chrome	
M (MIDDLE)	±0.1 ±0.1 ±0.2 ±0.3 ±0.5 ±0.8 ±1.2 ±2	ARTICLE NR.: 3042.3.03.46	
PROJECTION:	GENERAL ANGLE: ±0,5°	PROJECT: 054-Boston II	
	EAN: 4008913042403	DRAWING NR.: 040.38.00.TC	
DRAWN BY: MS	GENERAL ROUGHNESS: 0,8	<p>Tiger Products b.v. Winde 3, PO box 11 5660 AA Geldrop The Netherlands</p>	
CHECKED BY: -	UNITS: mm		
DATE: 10-8-2006	SCALE: 1:3		
STATUS: Production	FORMAT: A3		
PRINT DATE: 19-12-2025	SHEET: 1/3		
INT.REV.NR.: 03			

The reproduction, distribution and utilization of this document as well as the communication of its contents to others without express authorization is prohibited. Offenders will be held liable for the payment of damages. All rights reserved in the event of the grant of a patent, utility model or design. Copyright reserved.