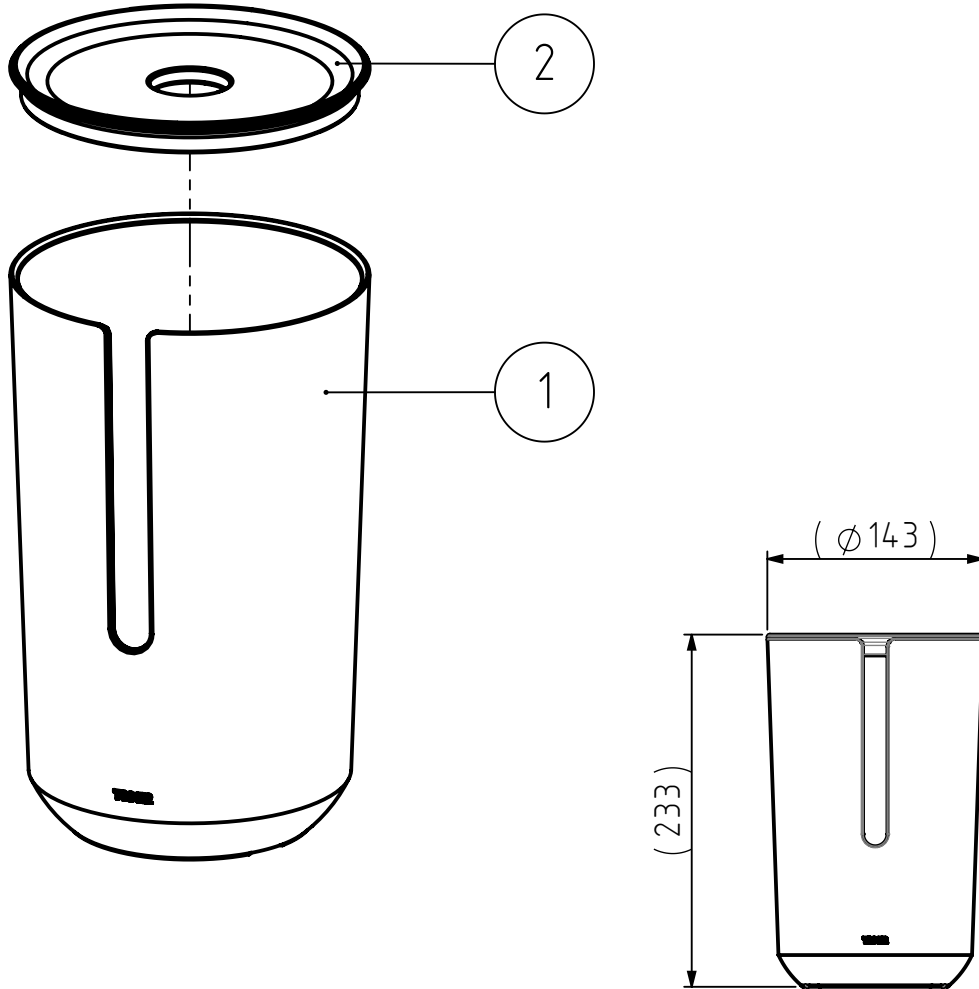


The reproduction, distribution and utilization of this document as well as the communication of its contents to others without express authorization is prohibited. Offenders will be held liable for the payment of damages. All rights reserved in the event of the grant of a patent, utility model or design. Copyright reserved.

1	2	3	4
REVISIONS			
REV.	DESCRIPTION	DATE	BY
-	See TB	-	-

FINAL DRAWING



2	Lid	1	264.06.02	ABS - Pantone Cool grey 6U, matt	Texture VDI 3400 ref.27 (light)
1	Spare toilet roll holder	1	264.06.01	PP - White RAL 9003, matt	Texture VDI 3400 ref.27 (light)
NR.	DESCRIPTION	QTY.	DRAW.NR.	MATERIAL	TREATMENT

GENERAL DIMENSION UNLESS OTHERWISE STATED ACCORDING TO DIN 7168				DESCRIPTION:						
CLASS	NOMINAL MEASUREMENTS (mm)							Spare toilet roll holder		
	0.5 UNTIL 3	3 UNTIL 6	6 UNTIL 30	30 UNTIL 120	120 UNTIL 400	400 UNTIL 1000	1000 UNTIL 2000			2000 UNTIL 4000
M (MIDDLE)	±0.1	±0.1	±0.2	±0.3	±0.5	±0.8	±1.2	±2		
PROJECTION:	GENERAL ANGLE:	EAN:		VERSION NAME:		ARTICLE NR.:				
	±0,5°	4 008911329049		white		1329220146				
DRAWN BY:	MS	GENERAL ROUGHNESS:		PROJECT:		TIGER Tiger Nederland b.v. Winde 3, PO box 11 5660 AA Geldrop The Netherlands				
CHECKED BY:		0,8		264-Tess						
DATE:	18-9-2019	UNITS:		DRAWING NR.:						
STATUS:	Production	mm		264.06.00.TW						
PRINT DATE:	8-4-2026	SCALE:								
INT.REV.NR.:	02	FORMAT:								
		SHEET:								
		2/3								