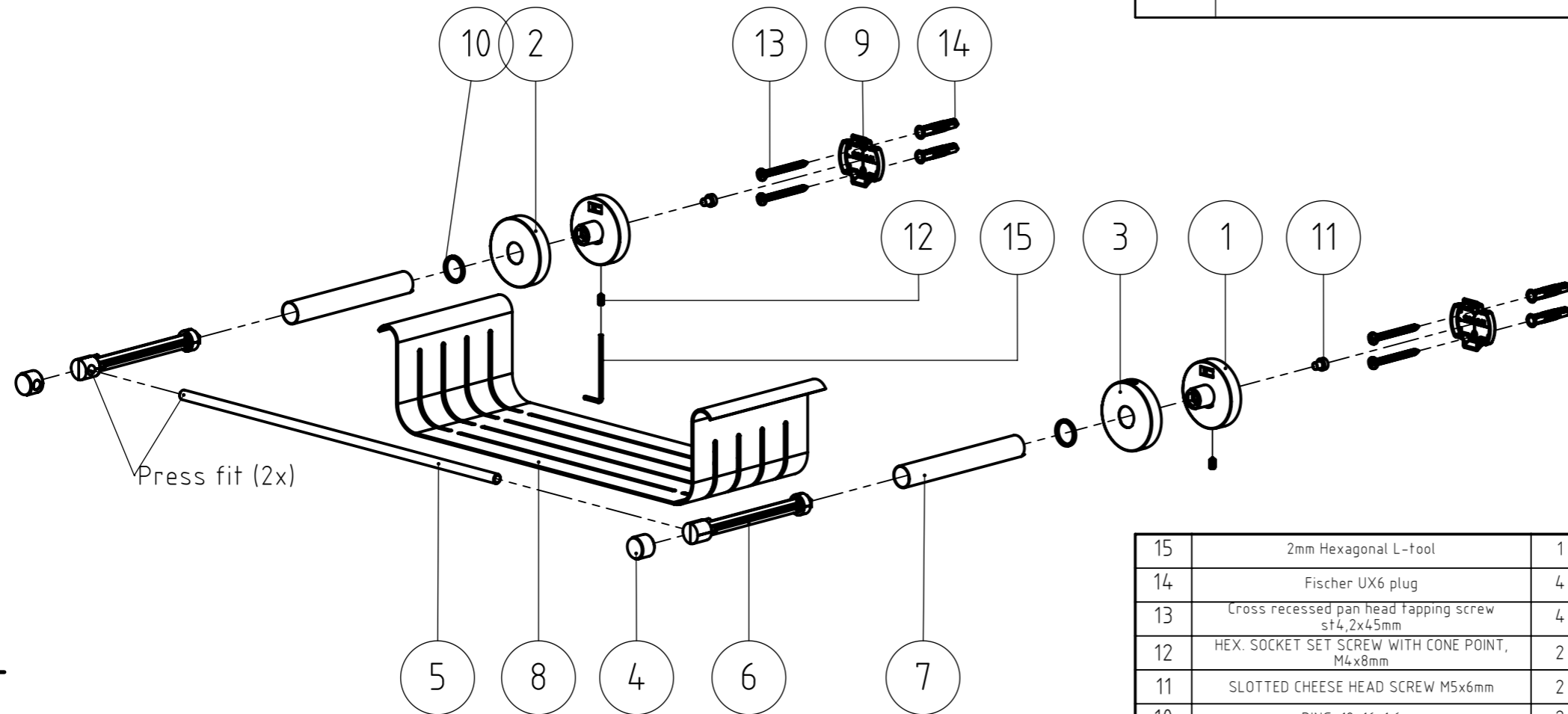


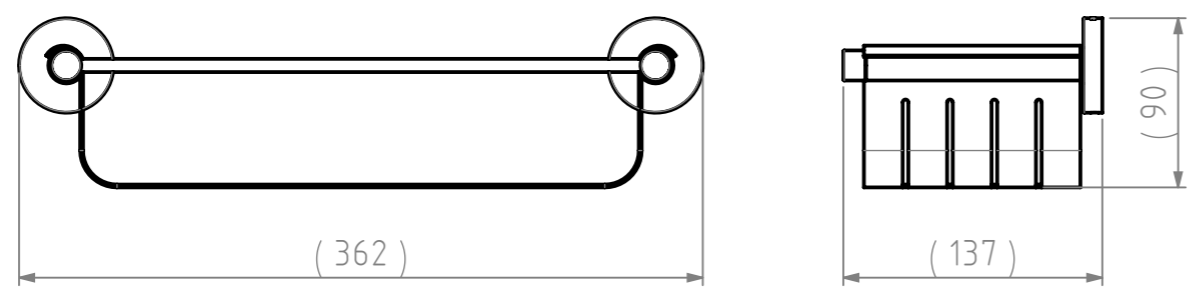
FINAL DRAWING

REVISIONS				
REV.	DESCRIPTION	DATE	BY	APPROVED
-	See 040.34.00.TC	-	-	-



Press fit (2x)

NR.	DESCRIPTION	QTY.	DRAW.NR.	MATERIAL	TREATMENT
15	2mm Hexagonal L-tool	1	DIN.911	Tool steel	-
14	Fischer UX6 plug	4	FIX.0028	-	-
13	Cross recessed pan head tapping screw st4,2x45mm	4	DIN.7981 CZ	Stainless steel A2	-
12	HEX. SOCKET SET SCREW WITH CONE POINT, M4x8mm	2	DIN.0914	Stainless steel A2	-
11	SLOTTED CHEESE HEAD SCREW M5x6mm	2	ISO 1207	STAINLESS STEEL A2	-
10	RING, 19x16x1,6mm	2	BUY-IN	PA 6 - Black RAL 9005, semi gloss	Technical Smooth
9	Wallplate Type 1	2	226.03.02	Stainless steel AISI 304	Sand blasted
8	Shelf bottle holder	1	040.34.04	Stainless steel AISI 430	Powder coated, texture VDI 3400 ref.30 - RAL 9005 (Jet black)
7	Support tube M	2	040.34.03	Stainless steel AISI 430	Powder coated, texture VDI 3400 ref.30 - RAL 9005 (Jet black)
6	Basket bar holder	2	040.34.02	Zamac3	Chromium Plated
5	Front bar A	1	040.34.01	Stainless steel AISI 430	Powder coated, texture VDI 3400 ref.30 - RAL 9005 (Jet black)
4	Hook cap	2	040.10.02	Stainless steel AISI 430	Powder coated, texture VDI 3400 ref.30 - RAL 9005 (Jet black)
3	Cover	1	040.01.03	Stainless steel AISI 430	Powder coated, texture VDI 3400 ref.30 - RAL 9005 (Jet black)
2	Cover (no logo)	1	040.01.03	Stainless steel AISI 430	Powder coated, texture VDI 3400 ref.30 - RAL 9005 (Jet black)
1	Wall support	2	040.01.01	Zamac3	Chromium Plated



GENERAL DIMENSION UNLESS OTHERWISE STATED ACCORDING TO DIN 7168		DESCRIPTION:	
NOMINAL MEASUREMENTS (mm)		Bottle basket	
CLASS	0.5 UNTIL 3 3 UNTIL 6 6 UNTIL 30 30 UNTIL 120 120 UNTIL 400 400 UNTIL 1000 1000 UNTIL 2000 2000 UNTIL 4000		
M (MIDDLE)	±0.1 ±0.1 ±0.2 ±0.3 ±0.5 ±0.8 ±1.2 ±2		
PROJECTION:	GENERAL ANGLE: ±0,5°	EAN: 4008913035429	VERSION NAME: black
ARTICLE NR.: 3035.3.07.46			
DRAWN BY: MS	GENERAL ROUGHNESS: 0,8	PROJECT: 054-Boston II	TIGER Tiger Products b.v. Winde 3, PO box 11 5660 AA Geldrop The Netherlands
CHECKED BY:		DRAWING NR: 040.34.00.TB	
DATE: 10-6-2005	UNITS: mm		
STATUS: Production	SCALE: 1:4		
PRINT DATE: 3-10-2024	FORMAT: A3		
INT.REV.NR.: 03	SHEET: 3/3		

The reproduction, distribution and utilization of this document as well as the communication of its contents to others without express authorization is prohibited. Offenders will be held liable for the payment of damages. All rights reserved in the event of the grant of a patent, utility model or design. Copyright reserved.