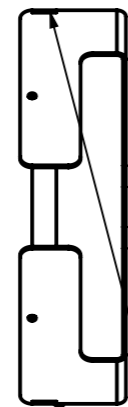
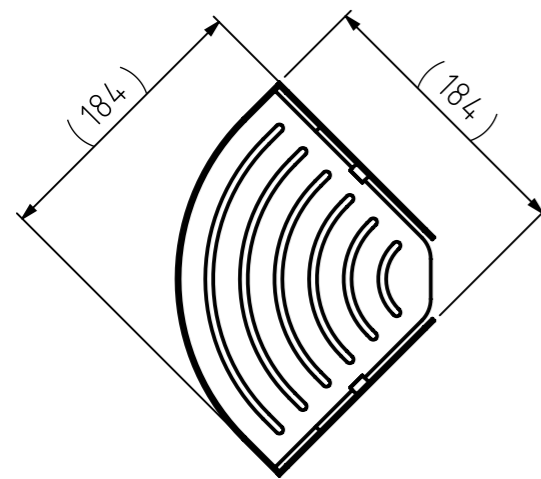
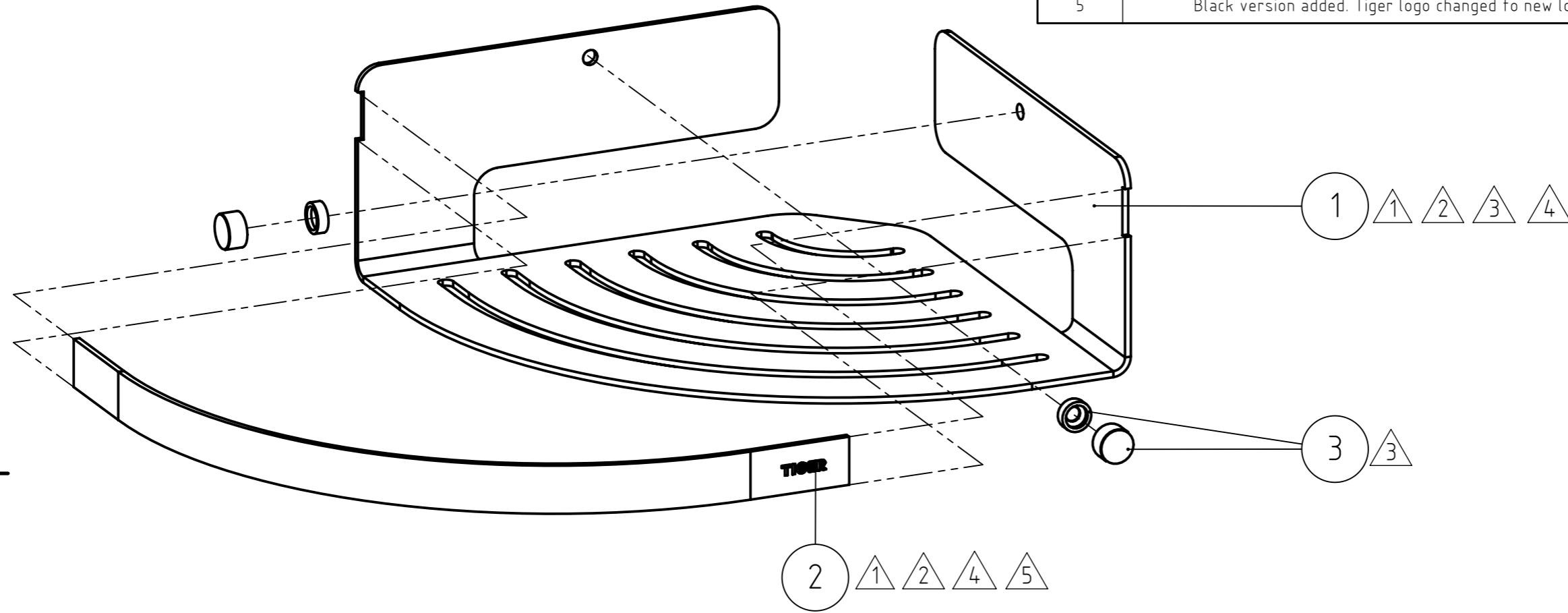
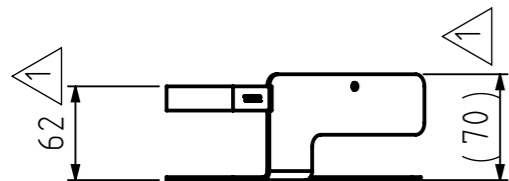


# FINAL DRAWING

REVISIONS				
REV.	DESCRIPTION	DATE	BY	APPROVED
1	- Corner basket and corner strip changed - Add '9953.180.50 - Fixationset Info 4,5 x 45 mm RVS A2 (Vigo-style)'	15-7-2014	FVP	WW
2	- Parts changed - Welding changed	13-8-2014	MS	FVP
3	Screw cap assembly added, screw holes changed	6-11-2014	MS	WW
4	Tiger logo moved	26-11-2014	MS	WW
5	Black version added. Tiger logo changed to new logo.	9-8-2018	MS	FvP



2 Smooth welds (grinded)



Remarks:

- Only weld on the back side <sup>2</sup>
- Add '9953.180.50 - Fixationset Info 4,5 x 45 mm RVS A2 (Vigo-style)' <sup>1</sup>

NR.	DESCRIPTION	QTY.	DRAW.NR.	MATERIAL	TREATMENT
3	Screw cap assembly (11,5x6,2mm)	2	BUY.15.00	-	Brushed
2	Corner strip	1	207.04.02	Stainless steel AISI 304	Brushed
1	Corner basket	1	207.04.01	Stainless steel AISI 304	Brushed

GENERAL DIMENSION UNLESS OTHERWISE STATED ACCORDING TO DIN 7168							DESCRIPTION:	
CLASS	NOMINAL MEASUREMENTS (mm)						Corner basket	
	0.5 UNTIL 3	3 UNTIL 6	6 UNTIL 30	30 UNTIL 120	120 UNTIL 400	400 UNTIL 1000		
M (MIDDLE)	±0.1	±0.1	±0.2	±0.3	±0.5	±0.8	±1.2	±2
PROJECTION:	GENERAL ANGLE:		EAN:		VERSION NAME:			ARTICLE NR.:
	±0,5°		4008911400403		stainless steel			14004.3.09.46
DRAWN BY:	MS		GENERAL ROUGHNESS:		PROJECT:			 Tiger Nederland b.v. Winde 3, PO box 11 5660 AA Geldrop The Netherlands
CHECKED BY:	FVP				207-Caddy			
DATE:	30-10-2013		UNITS:		DRAWING NR.:			
STATUS:	Production		SCALE:		207.04.00.TS			
PRINT DATE:	8-4-2025		FORMAT:		A3			
INT.REV.NR.:	05		SHEET:		1/3			

The reproduction, distribution and utilization of this document as well as the communication of its contents to others without express authorization is prohibited. Offenders will be held liable for the payment of damages. All rights reserved in the event of the grant of a patent, utility model or design. Copyright reserved.