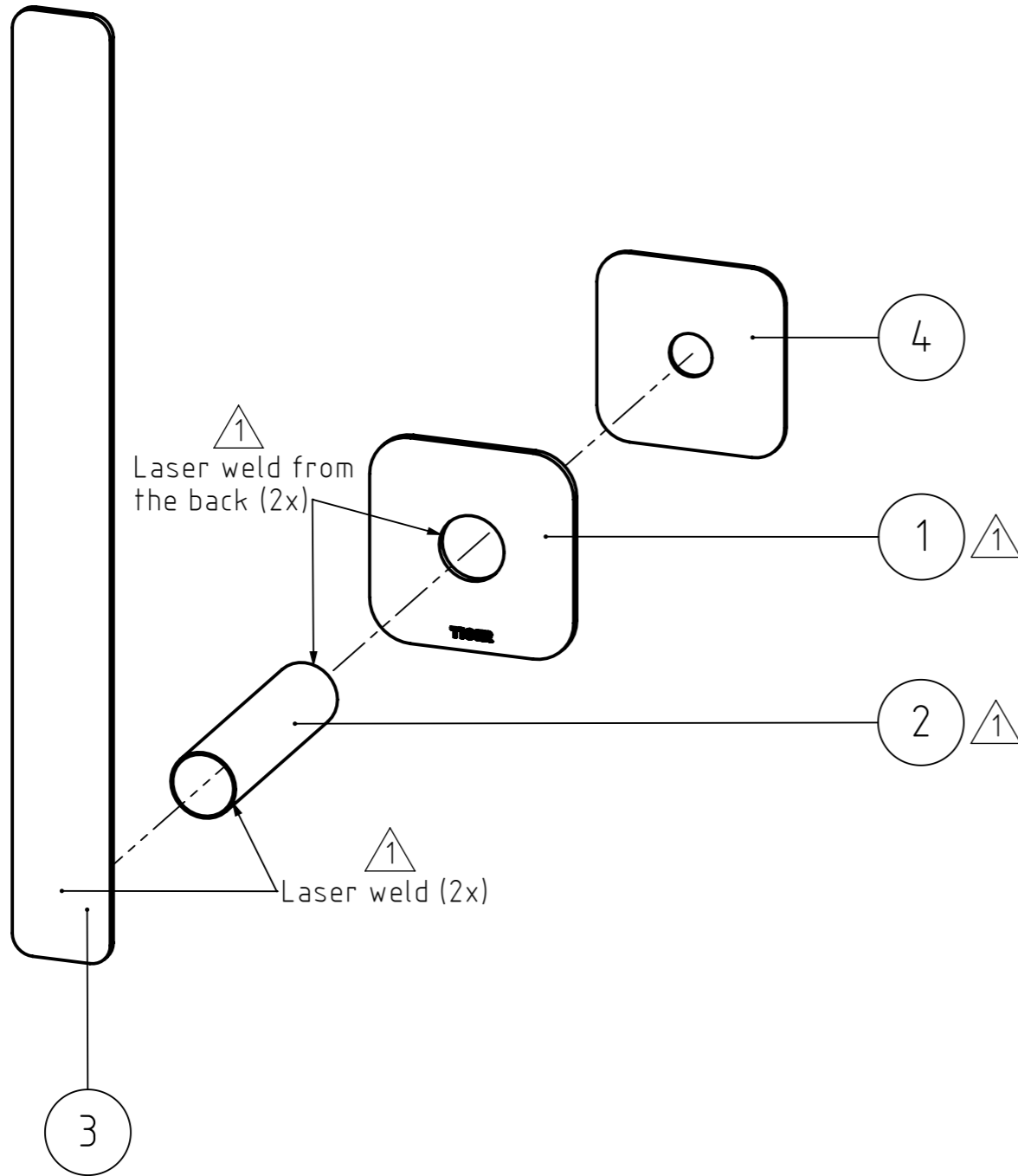
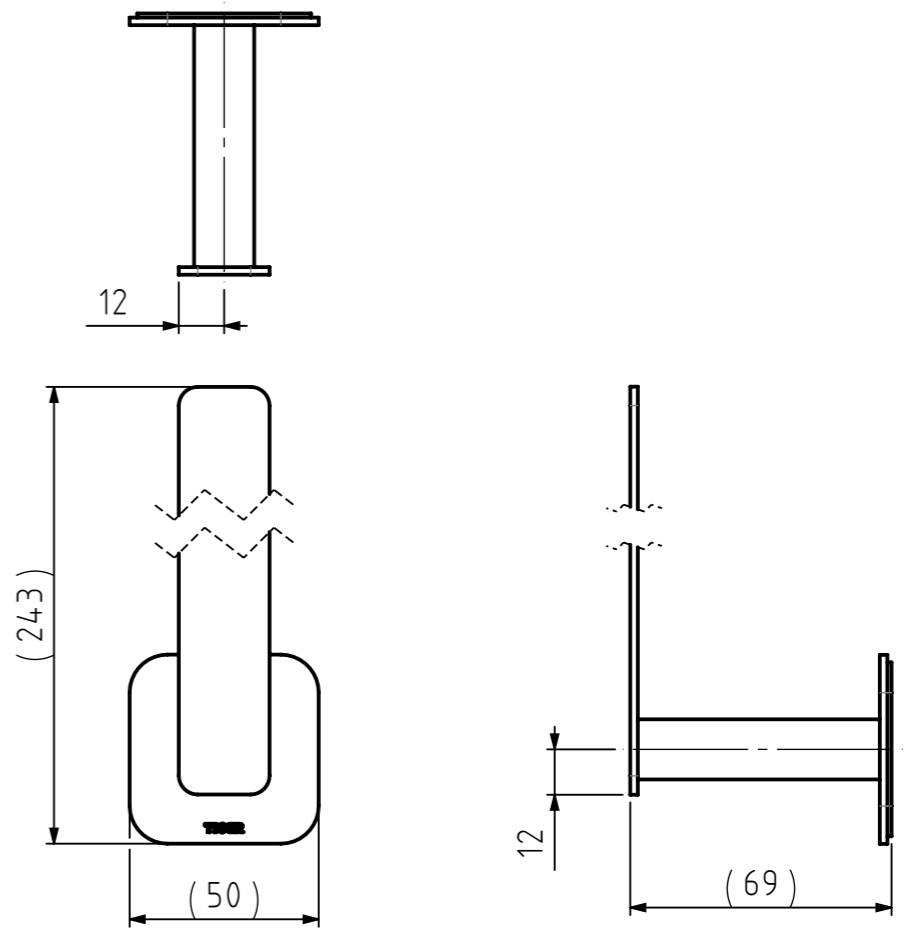


FINAL DRAWING



REVISIONS				
REV.	DESCRIPTION	DATE	BY	APPROVED
1	Black version added. Construction changed at makers suggestion. Weld nut, screw and connector removed, parts are now laser welded together, 205.01.01 Wall plate replaced with 205.09.04 Wall plate 2. Tiger logo moved, from top of the wall plate to the bottom, as a result.	28-7-2021	MS	FvP



Remarks:
- Welds may not be visible from the front

NR.	DESCRIPTION	QTY.	DRAW.NR.	MATERIAL	TREATMENT
4	Tape pad big	1	205.04.08	3M Tape VHB GPH110 1.10mm	-
3	Spare roll holder	1	205.28.01	Stainless steel 304	Brushed
2	Tube	1	205.26.03	Stainless steel 304	Brushed
1	Wall plate 2 (bottom logo)	1	205.09.04	Stainless steel 304	Brushed

GENERAL DIMENSION UNLESS OTHERWISE STATED ACCORDING TO DIN 7168		DESCRIPTION:	
CLASS	NOMINAL MEASUREMENTS (mm)	Spare toilet roll holder	
	0.5 UNTIL 3 3 UNTIL 6 6 UNTIL 30 30 UNTIL 120 120 UNTIL 400 400 UNTIL 1000 1000 UNTIL 2000 2000 UNTIL 4000		
M (MIDDLE)	±0.1 ±0.1 ±0.2 ±0.3 ±0.5 ±0.8 ±1.2 ±2		
PROJECTION:	GENERAL ANGLE: ±0,5°	VERSION NAME: stainless steel	ARTICLE NR. (packed product): 1312930946 (for packaging information see GDS)
DRAWN BY: MS	CHECKED BY: FVP	GENERAL ROUGHNESS: 0,8	PROJECT: 205-Colar
DATE: 23-5-2016	STATUS: Production	UNITS: mm	DRAWING NR: 205.28.00.TS
PRINT DATE: 8-4-2026	INT.REV.NR.: 01	SCALE: 1:2	<p>Tiger Products b.v. Winde 3, PO box 11 5660 AA Geldrop The Netherlands</p>
		FORMAT: A3 SHEET: 1/3	

The reproduction, distribution and utilization of this document as well as the communication of its contents to others without express authorization is prohibited. Offenders will be held liable for the payment of damages. All rights reserved in the event of the grant of a patent, utility model or design. Copyright reserved.