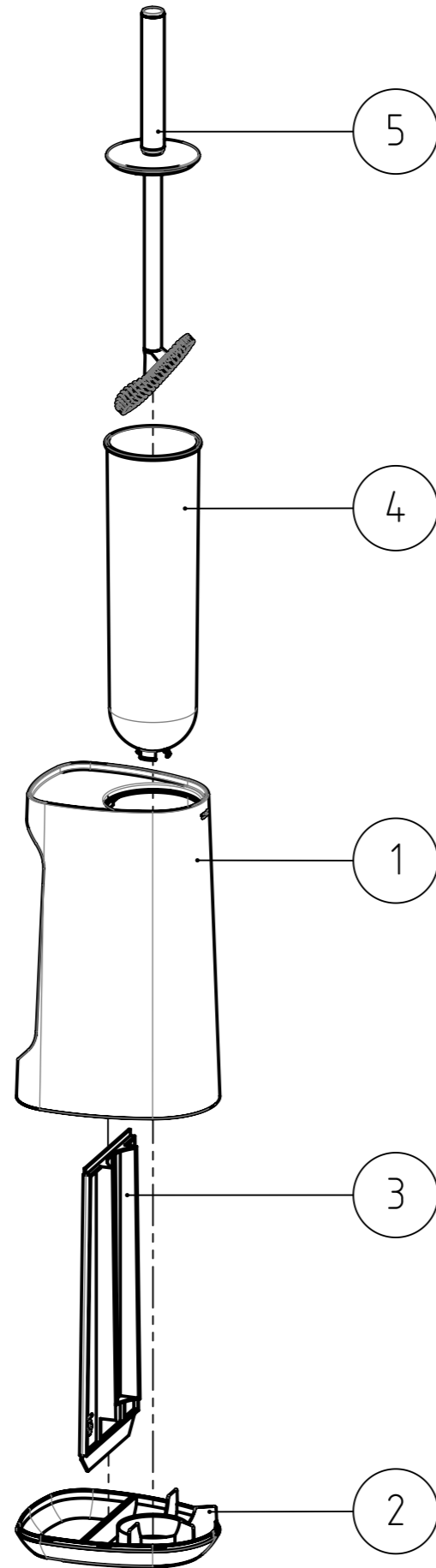
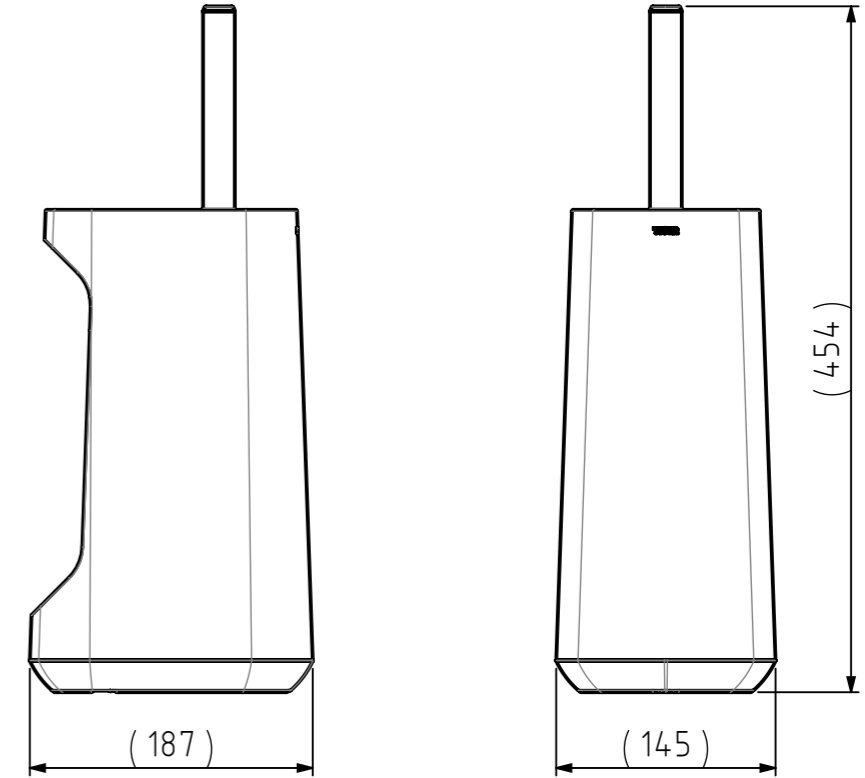


# FINAL DRAWING



REVISIONS				
REV.	DESCRIPTION	DATE	BY	APPROVED
-	See 264.05.00.TB	-	-	-



NR.	DESCRIPTION	QTY.	DRAW.NR.	MATERIAL	TREATMENT
5	Flexible Toilet Brush Spare	1	256.03.00	See sub-assembly Black version	See sub-assembly Black version
4	Inner pot	1	264.05.04	PP - Dark blue Pantone 541 U, matt	Technical Smooth
3	Divider	1	264.05.03	PP - Dark blue Pantone 541 U, matt	Texture VDI 3400 ref.27 (light)
2	Bottom part	1	264.05.02	PP - Dark blue Pantone 541 U, matt	Texture VDI 3400 ref.27 (light)
1	Top part	1	264.05.01	PP - Dark blue Pantone 541 U, matt	Texture VDI 3400 ref.27 (light)

GENERAL DIMENSION UNLESS OTHERWISE STATED ACCORDING TO DIN 7168							DESCRIPTION:	
CLASS	NOMINAL MEASUREMENTS (mm)						Toilet brush and holder with storage	
	0.5 UNTIL 3	3 UNTIL 6	6 UNTIL 30	30 UNTIL 120	120 UNTIL 400	400 UNTIL 1000		
M (MIDDLE)	±0.1	±0.1	±0.2	±0.3	±0.5	±0.8	±1.2	±2
PROJECTION:	GENERAL ANGLE:		EAN:		VERSION NAME:		ARTICLE NR.:	
	±0,5°		4008911329094		dark blue		1329527246	
DRAWN BY:	MS		GENERAL ROUGHNESS:		PROJECT:		<b>TIGER</b> Tiger Nederland b.v. Winde 3, PO box 11 5660 AA Geldrop The Netherlands	
CHECKED BY:					264-Tess			
DATE:	19-7-2019		UNITS:		DRAWING NR.:			
STATUS:	Production		mm		264.05.00.TDB			
PRINT DATE:	8-4-2026		SCALE:					
INT.REV.NR.:	06		FORMAT:					
			SHEET:					
			3/3					

The reproduction, distribution and utilization of this document as well as the communication of its contents to others without express authorization is prohibited. Offenders will be held liable for the payment of damages. All rights reserved in the event of the grant of a patent, utility model or design. Copyright reserved.