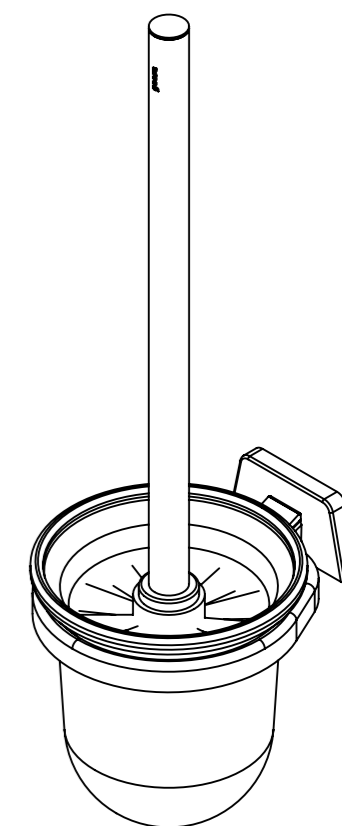
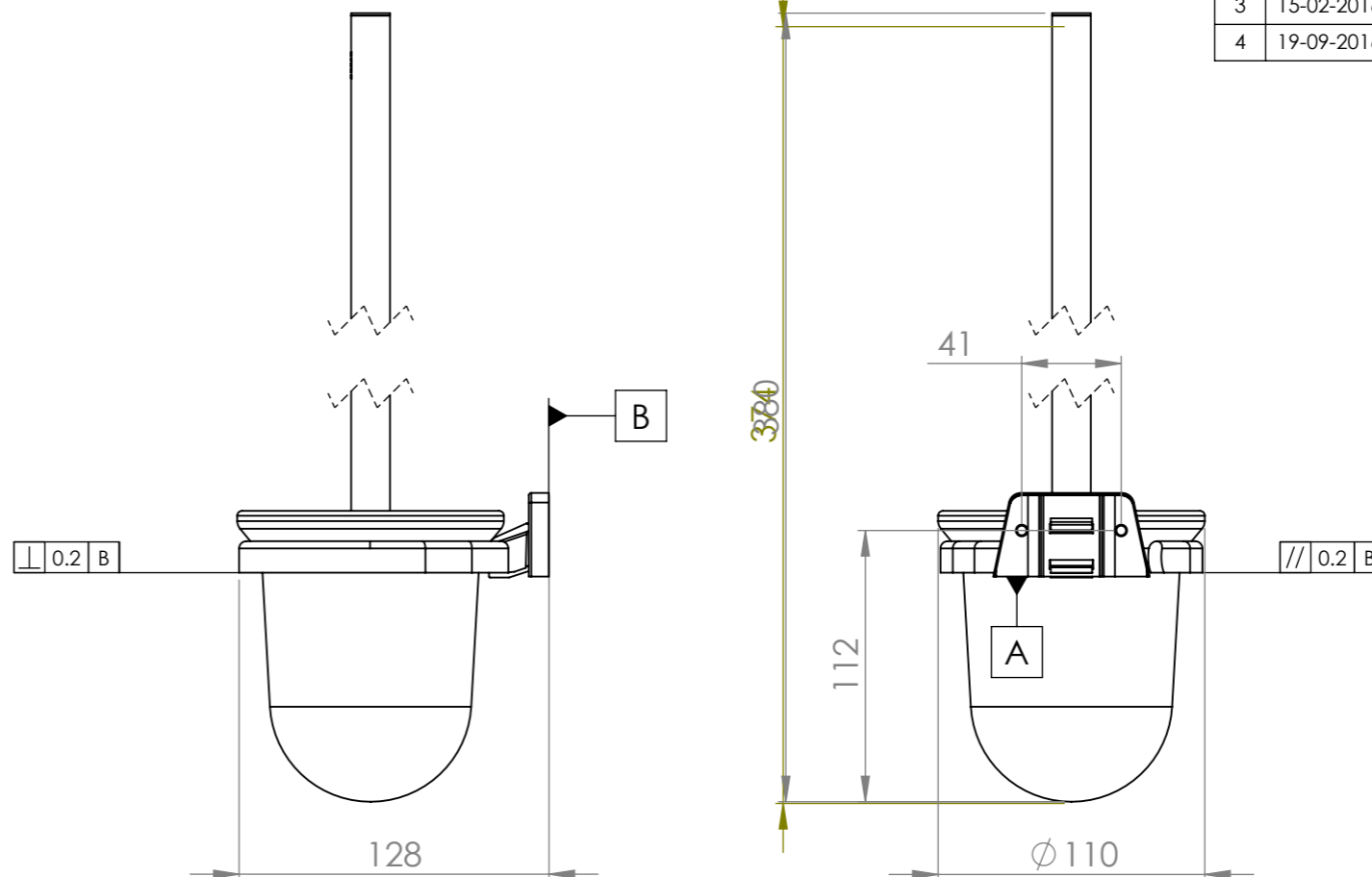
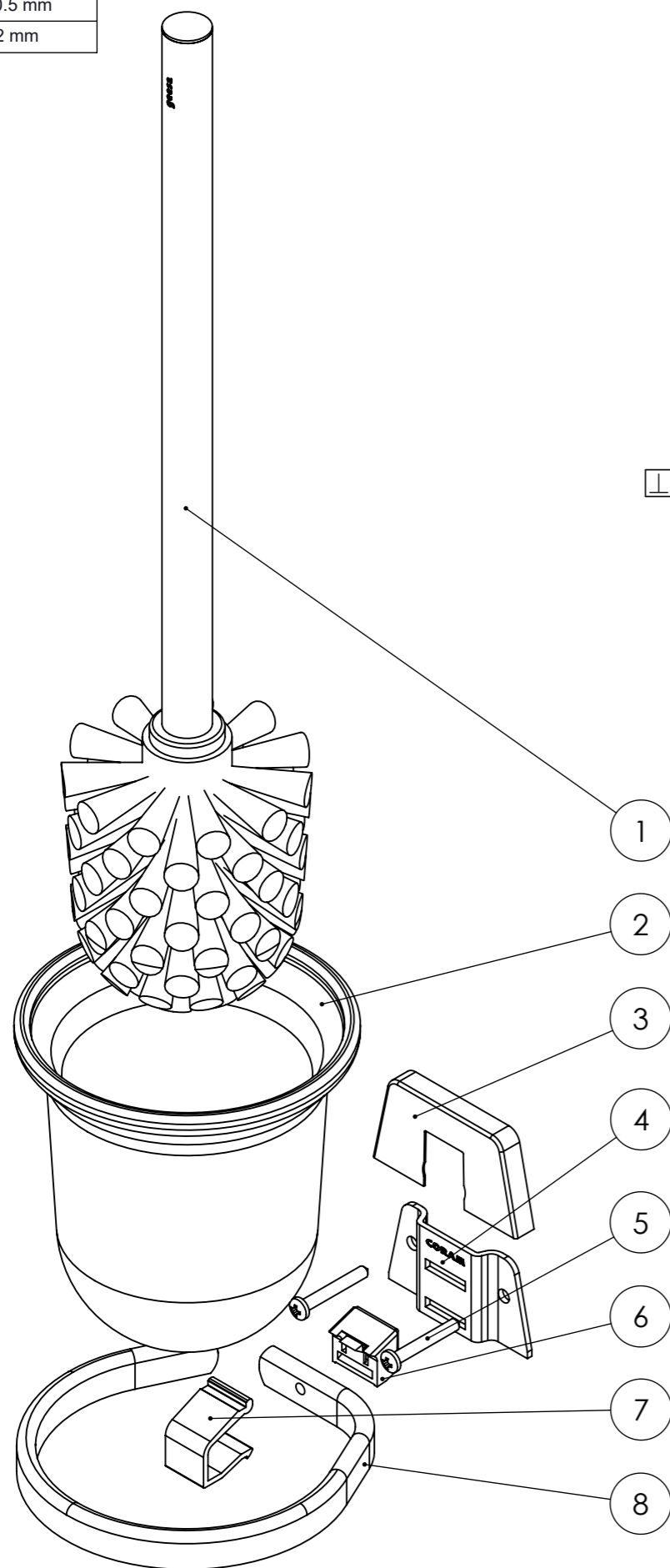


Unless otherwise specified:  
 Angle Dimension +/- 0.5 degrees  
 Linear Dimension +/- 0.5 mm  
 Corners and edges 0.2 mm

REV	DATE	MODIFIED BY	DESCRIPTION
2	29-11-2011	N.Uiterwijk	
3	15-02-2016	N.U.	updated file brush, changed title
4	19-09-2016	N.U.	Changed Series, was Standard Hotel



NO.	QTY.	Drawing nr.	Article nr.	DESCRIPTION	MATERIAL	NOTES
8	1	004276	465117	Bracket	CuZn38Pb1.5	
7	1	003313 (Default)	465000-6	Profile Fixation	2.0402 (CuZn40Pb2)	
6	1	004187	225000-12	Fill block	LDPE	Color: Grey
5	2	004166	225000-2	Screw 4x30mm	Zinc plated Steel	Chipboard Screw ft Pan Head Zinc Plated Pozi
4	1	004269	465000-4	Wall plate steel	Steel DC01-A-m oiled	
3	1	004133	465000-5	Cover trapezium (profile fixation)	CuZn37	
2	1	003591	224268	Glass tray	Glass Frosted	
1	1	012850	91224432-02	Toilet brush	see part drawings	

Title <b>Toilet brush holder, wall mounted</b>				Note		
Material -				Series <b>Standard</b>		
Norm.				Article nr. <b>915117</b>		
Finish				Drawing nr. <b>004275</b>		
Weight (gr) 889.42				A3		
Vol. (cm³) 367.45				Sheet no.		
Am. projectie		Scale: 1:3	Revision 08	Drawn M. Weststrate 07-02-2011	Sheet1/No.of sheets 1	
Checked N.U.		19-09-2016		geesa dutch detail Phone: 0031-(33)4633214 Email: geesa@geesa.nl		