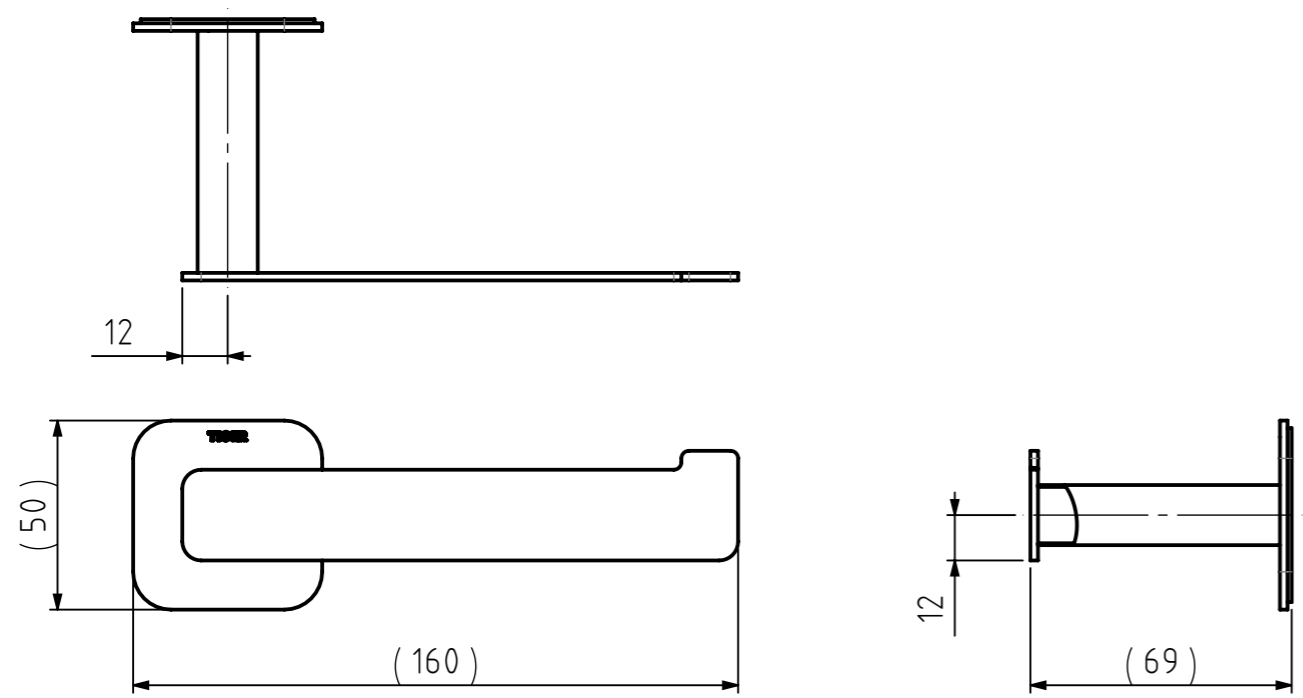
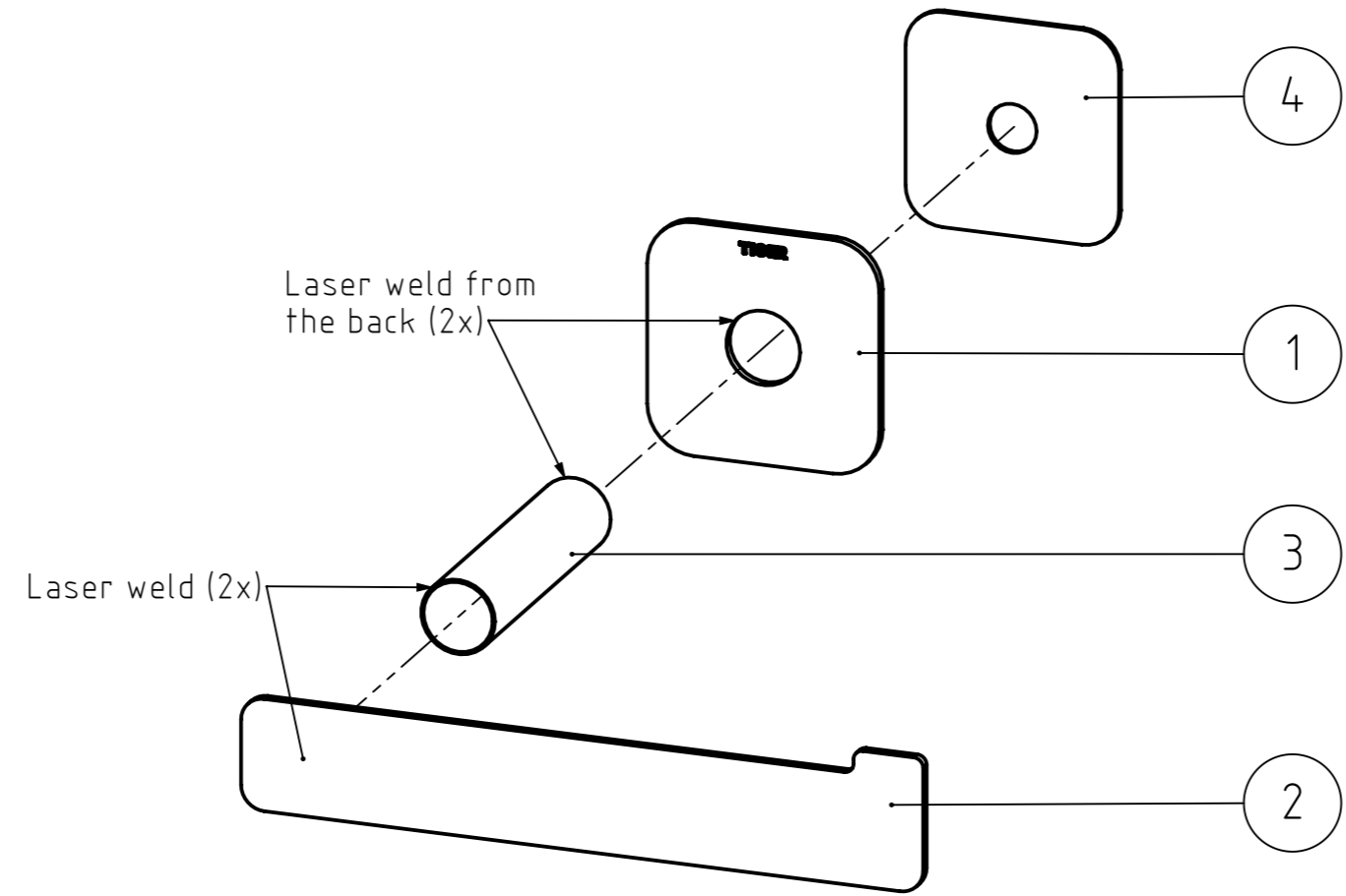


FINAL DRAWING

REVISIONS				
REV.	DESCRIPTION	DATE	BY	APPROVED
-	See 205.26.00.TS	-	-	-



Remarks:
- Welds may not be visible from the front

NR.	DESCRIPTION	QTY.	DRAW.NR.	MATERIAL	TREATMENT
4	Tape pad big	1	205.04.08	3M Tape VHB GPH110 1.10mm	-
3	Tube	1	205.26.03	Stainless steel 304	Polished - High gloss
2	Toilet roll holder rigid	1	205.26.01	Stainless steel 304	Polished - High gloss
1	Wall plate 2 (top logo)	1	205.09.04	Stainless steel 304	Polished - High gloss

GENERAL DIMENSION UNLESS OTHERWISE STATED ACCORDING TO DIN 7168		DESCRIPTION:						
CLASS	NOMINAL MEASUREMENTS (mm)						Toilet roll holder rigid	
	0.5 UNTIL 3	3 UNTIL 6	6 UNTIL 30	30 UNTIL 120	120 UNTIL 400	400 UNTIL 1000		1000 UNTIL 2000
M (MIDDLE)	±0.1	±0.1	±0.2	±0.3	±0.5	±0.8	±1.2	±2
PROJECTION:	GENERAL ANGLE: ±0,5°		VERSION NAME: chrome		ARTICLE NR. (packed product): 1313930346			
DRAWN BY: MS		GENERAL ROUGHNESS: 0,8		PROJECT: 205-Colar		Tiger Products b.v. Winde 3, PO box 11 5660 AA Geldrop The Netherlands		
CHECKED BY:		UNITS: mm		DRAWING NR: 205.26.00.TC				
DATE: 23-5-2016		SCALE: 1:2						
STATUS: Production		FORMAT: A3						
PRINT DATE: 14-4-2026		SHEET: 2/3						
INT.REV.NR.: 01								

The reproduction, distribution and utilization of this document as well as the communication of its contents to others without express authorization is prohibited. Offenders will be held liable for the payment of damages. All rights reserved in the event of the grant of a patent, utility model or design. Copyright reserved.