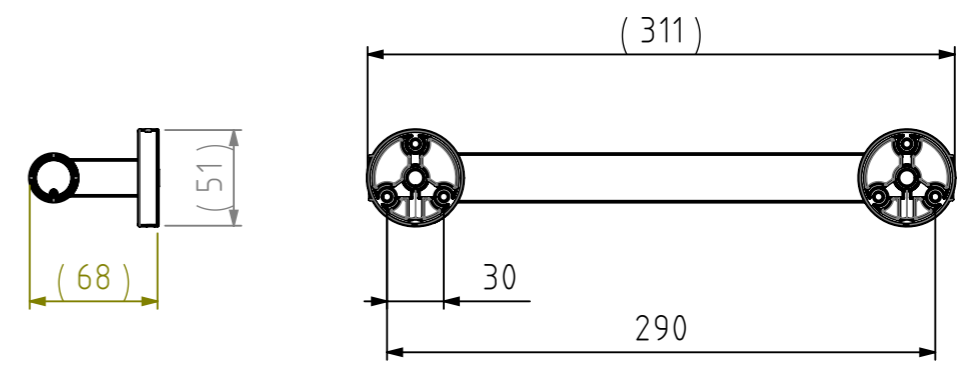
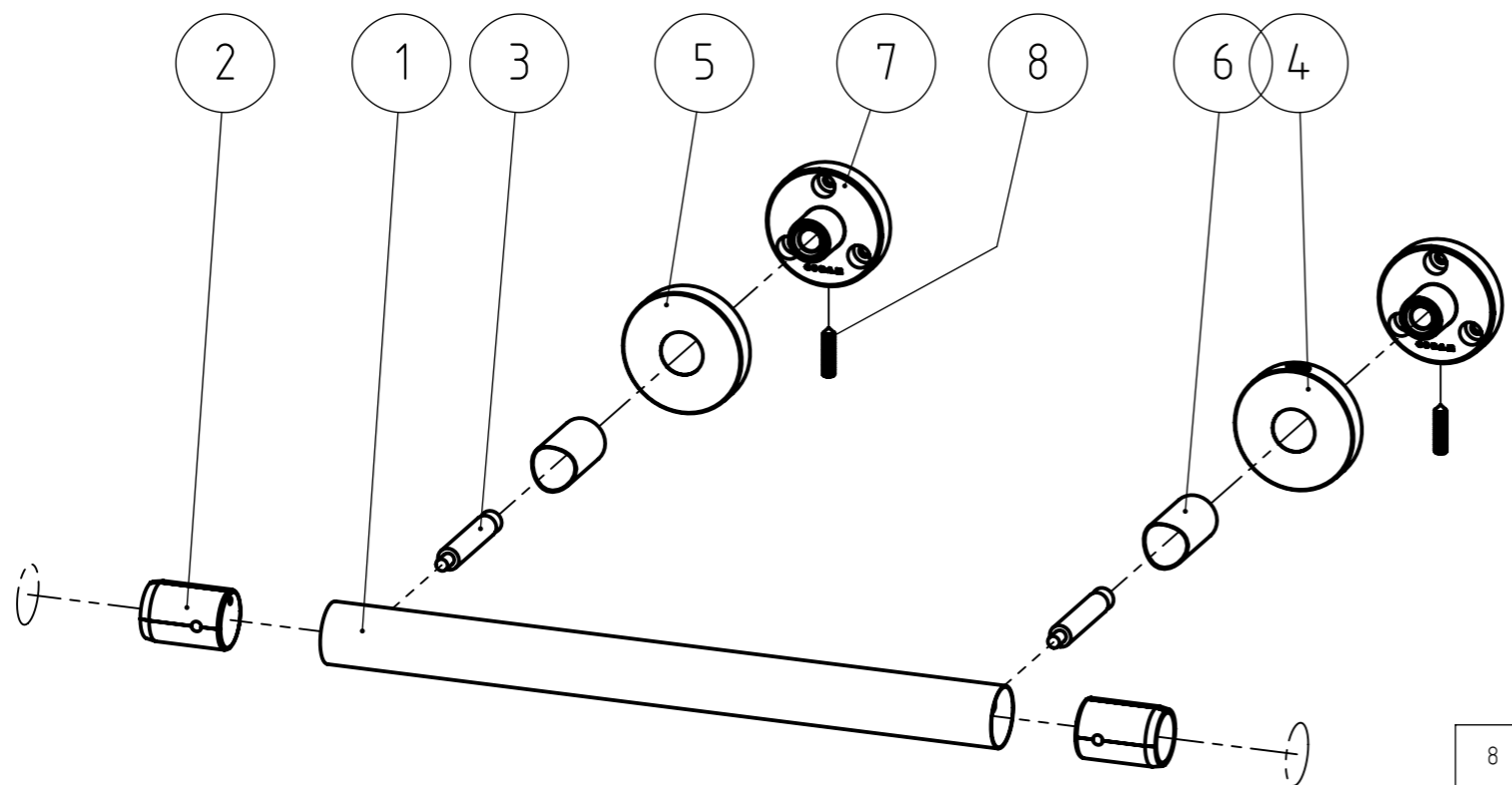


FINAL DRAWING

REVISIONS				
REV.	DESCRIPTION	DATE	BY	APPROVED
1	NEW WALL BRACKET 3PT (124.08.01), NEW COVER TUBE (124.02.05) AND M4X20 HEX. SCREW INCREASED TO M5X20	13-4-2010	FH	RS



NR.	DESCRIPTION	QTY.	DRAW.NR.	MATERIAL	TREATMENT
8	HEX. SOCKET SET SCREW WITH CONE POINT, M5x20mm	2	DIN.0914	Stainless steel A2	-
7	Wall bracket 3pt	2	124.08.01	Zamac5	Chromium Plated
6	Cover tube	2	124.02.05	Stainless steel AISI 304	Polished - High gloss
5	Cover, no logo	1	124.02.04	Stainless steel AISI 304	Polished - High gloss
4	Cover, logo	1	124.02.04	Stainless steel AISI 304	Polished - High gloss
3	Assembly screw	2	040.15.05	Stainless steel AISI 304	-
2	Tube connector C	2	040.15.02	Zamac3	Chromium Plated
1	Grip	1	040.15.01	Stainless steel AISI 304	Polished - High gloss

GENERAL DIMENSION UNLESS OTHERWISE STATED ACCORDING TO DIN 7168		DESCRIPTION:																										
<table border="1"> <thead> <tr> <th rowspan="2">CLASS</th> <th colspan="7">NOMINAL MEASUREMENTS (mm)</th> </tr> <tr> <th>0.5 UNTIL 3</th> <th>3 UNTIL 6</th> <th>6 UNTIL 30</th> <th>30 UNTIL 120</th> <th>120 UNTIL 400</th> <th>400 UNTIL 1000</th> <th>1000 UNTIL 2000</th> <th>2000 UNTIL 4000</th> </tr> </thead> <tbody> <tr> <td>M (MIDDLE)</td> <td>±0.1</td> <td>±0.1</td> <td>±0.2</td> <td>±0.3</td> <td>±0.5</td> <td>±0.8</td> <td>±1.2</td> <td>±2</td> </tr> </tbody> </table>		CLASS	NOMINAL MEASUREMENTS (mm)							0.5 UNTIL 3	3 UNTIL 6	6 UNTIL 30	30 UNTIL 120	120 UNTIL 400	400 UNTIL 1000	1000 UNTIL 2000	2000 UNTIL 4000	M (MIDDLE)	±0.1	±0.1	±0.2	±0.3	±0.5	±0.8	±1.2	±2	Bath grip	
CLASS	NOMINAL MEASUREMENTS (mm)																											
	0.5 UNTIL 3	3 UNTIL 6	6 UNTIL 30	30 UNTIL 120	120 UNTIL 400	400 UNTIL 1000	1000 UNTIL 2000	2000 UNTIL 4000																				
M (MIDDLE)	±0.1	±0.1	±0.2	±0.3	±0.5	±0.8	±1.2	±2																				
PROJECTION:	GENERAL ANGLE:	EAN:	VERSION NAME:																									
	±0,5°	4008913094419	chrome																									
DRAWN BY:	MS	GENERAL ROUGHNESS:	PROJECT:																									
CHECKED BY:	RS	0,8/√	040-Boston																									
DATE:	8-8-2006	UNITS:	DRAWING NR:																									
STATUS:	Production	mm	040.15.00.TC																									
PRINT DATE:	3-10-2024	SCALE:	TIGER Tiger Nederland b.v. Winde 3, PO box 11 5660 AA Geldrop The Netherlands																									
INT.REV.NR.:	00	FORMAT:																										
		A3																										
		SHEET:																										
		1/2																										

The reproduction, distribution and utilization of this document as well as the communication of its contents to others without express authorization is prohibited. Offenders will be held liable for the payment of damages. All rights reserved in the event of the grant of a patent, utility model or design. Copyright reserved.