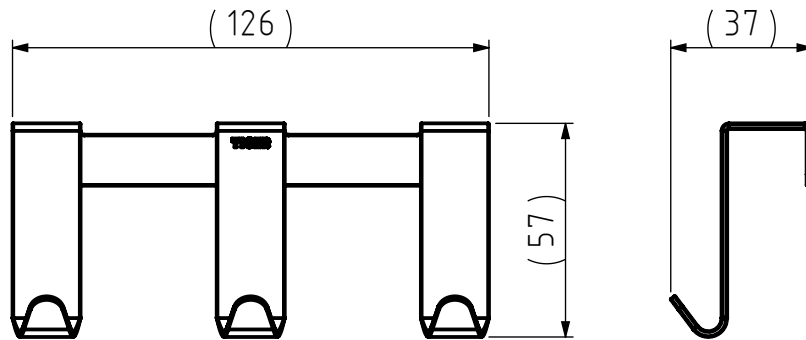
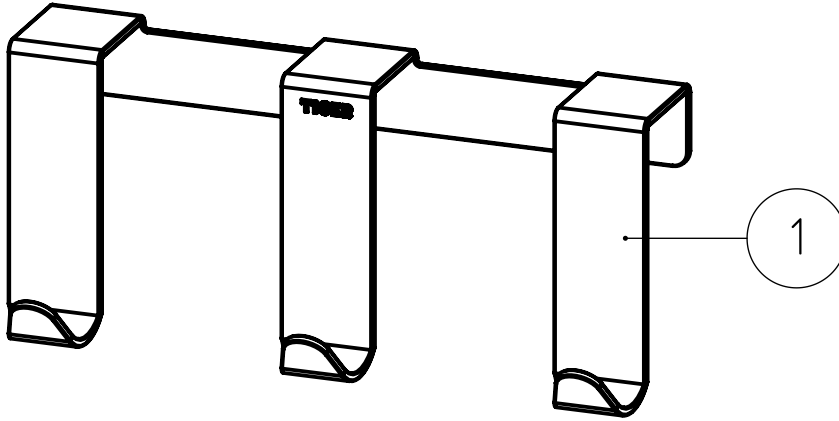



FINAL DRAWING



1	Basic rack 20mm	1	225.13.01	Stainless steel 304	Brushed						
NR.	DESCRIPTION	QTY.	DRAW.NR.	MATERIAL	TREATMENT						
GENERAL DIMENSION UNLESS OTHERWISE STATED ACCORDING TO DIN 7168			DESCRIPTION:								
CLASS	NOMINAL MEASUREMENTS (mm)								Basic rack 20mm		
	0.5 UNTIL 3	3 UNTIL 6	6 UNTIL 30	30 UNTIL 120	120 UNTIL 400	400 UNTIL 1000	1000 UNTIL 2000	2000 UNTIL 4000			
M (MIDDLE)	±0.1	±0.1	±0.2	±0.3	±0.5	±0.8	±1.2	±2	VERSION NAME: stainless steel		
PROJECTION:	GENERAL ANGLE: ±0,5°		EAN: 4008911017403			ARTICLE NR.: 1017.3.09.42			 Tiger Products b.v. Winde 3, PO box 11 5660 AA Geldrop The Netherlands		
DRAWN BY:	MS	GENERAL ROUGHNESS: 0,8			PROJECT: 225-hooks 2016						
CHECKED BY:	FVP	UNITS: mm			DRAWING NR: 225.13.00.TS						
DATE:	20-9-2016	SCALE: 1:2									
STATUS:	Production	FORMAT: A4									
PRINT DATE:	8-4-2026	SHEET: 1/1									
INT.REV.NR.:	00										

The reproduction, distribution and utilization of this document as well as the communication of its contents to others without express authorization is prohibited. Offenders will be held liable for the payment of damages. All rights reserved in the event of the grant of a patent, utility model or design. Copyright reserved.