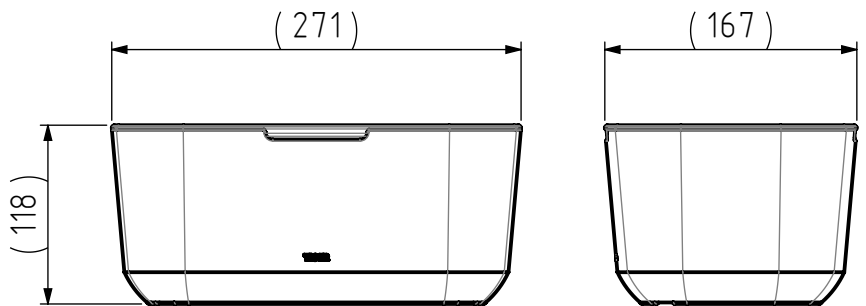
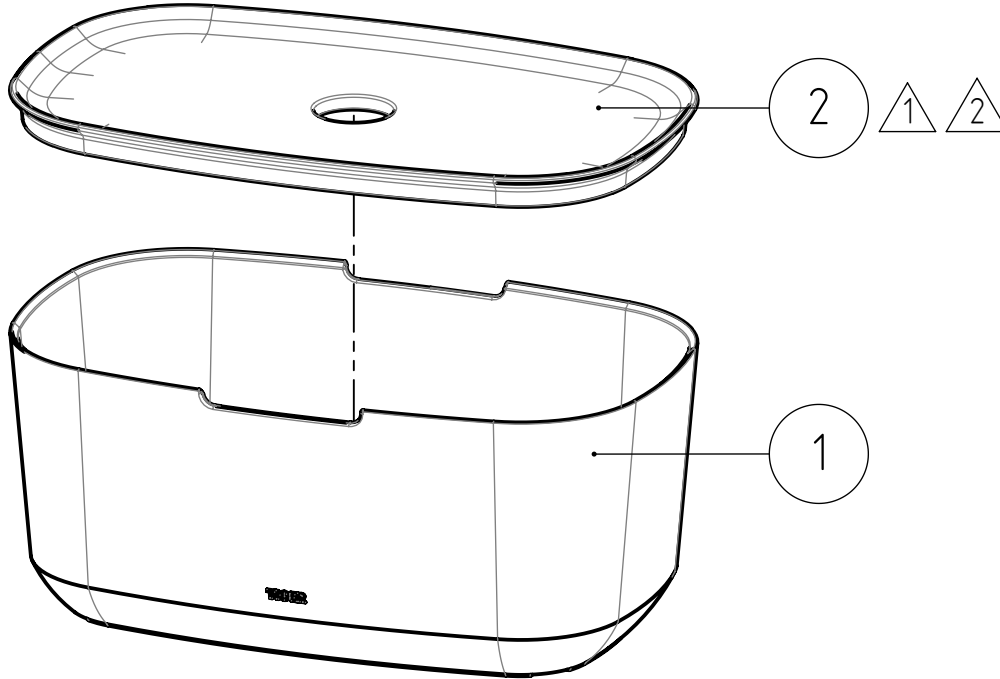


The reproduction, distribution and utilization of this document as well as the communication of its contents to others without express authorization is prohibited. Offenders will be held liable for the payment of damages. All rights reserved in the event of the grant of a patent, utility model or design. Copyright reserved.

| 1         | 2  |  | 3 |            | 4  |          |
|-----------|--|--|---|------------|----|----------|
| REVISIONS |  |  |   |            |    |          |
| REV.      | DESCRIPTION  |  |   | DATE       | BY | APPROVED |
| 1         | Colour of 264.07.02 Lid changed. Grey blue version changed to Dark blue. |  |   | 15-10-2020 | MS | TvD      |
| 2         | Colour of 264.07.02 Lid changed for all versions.                        |  |   | 30-11-2020 | MS | MP       |

# FINAL DRAWING



| 2   | Lid         | 1    | 264.07.02 | ABS - NCS 7502-B, matt    | Texture VDI 3400 ref.27 (light) |
|-----|-------------|------|-----------|---------------------------|---------------------------------|
| 1   | Basket      | 1    | 264.07.01 | PP - Black RAL 9005, matt | Texture VDI 3400 ref.27 (light) |
| NR. | DESCRIPTION | QTY. | DRAW.NR.  | MATERIAL                  | TREATMENT                       |

| GENERAL DIMENSION UNLESS OTHERWISE STATED ACCORDING TO DIN 7168 |                           |           |                    |              |               |                |                 |                 | DESCRIPTION:   |  |
|---|---------------------------|-----------|--------------------|--------------|---------------|----------------|-----------------|-----------------|--|--|
| CLASS   | NOMINAL MEASUREMENTS (mm) |           |                    |              |               |                |                 |                 | Basket   |  |
|   | 0.5 UNTIL 3               | 3 UNTIL 6 | 6 UNTIL 30         | 30 UNTIL 120 | 120 UNTIL 400 | 400 UNTIL 1000 | 1000 UNTIL 2000 | 2000 UNTIL 4000 |  |  |
| M (MIDDLE)  | ±0.1                      | ±0.1      | ±0.2               | ±0.3         | ±0.5          | ±0.8           | ±1.2            | ±2              |  |  |
| PROJECTION:   | GENERAL ANGLE:            |           | EAN:               |              |               | VERSION NAME:  |                 | ARTICLE NR.:    |  |  |
|   | ±0,5°                     |           | 4008911328011      |              |               | black          |                 | 1328520746      |  |  |
| DRAWN BY:   | MS                        |           | GENERAL ROUGHNESS: |              | 0,8           |                | PROJECT:        |                 | <b>TIGER</b><br>Tiger Nederland b.v.<br>Winde 3, PO box 11<br>5660 AA Geldrop<br>The Netherlands |  |
| CHECKED BY:   |                           |           | UNITS:             |              | mm            |                | DRAWING NR.:    |                 |  |  |
| DATE:   | 2-7-2019                  |           | SCALE:             |              | 1:5           |                | 264-Amlap       |                 |  |  |
| STATUS:   | Production                |           | FORMAT:            |              | A4            |                | 264.07.00.TB    |                 |  |  |
| PRINT DATE:   | 8-4-2026                  |           | SHEET:             |              | 1/3           |                |                 |                 |  |  |
| INT.REV.NR.:  | 02                        |           |                    |              |               |                |                 |                 |  |  |