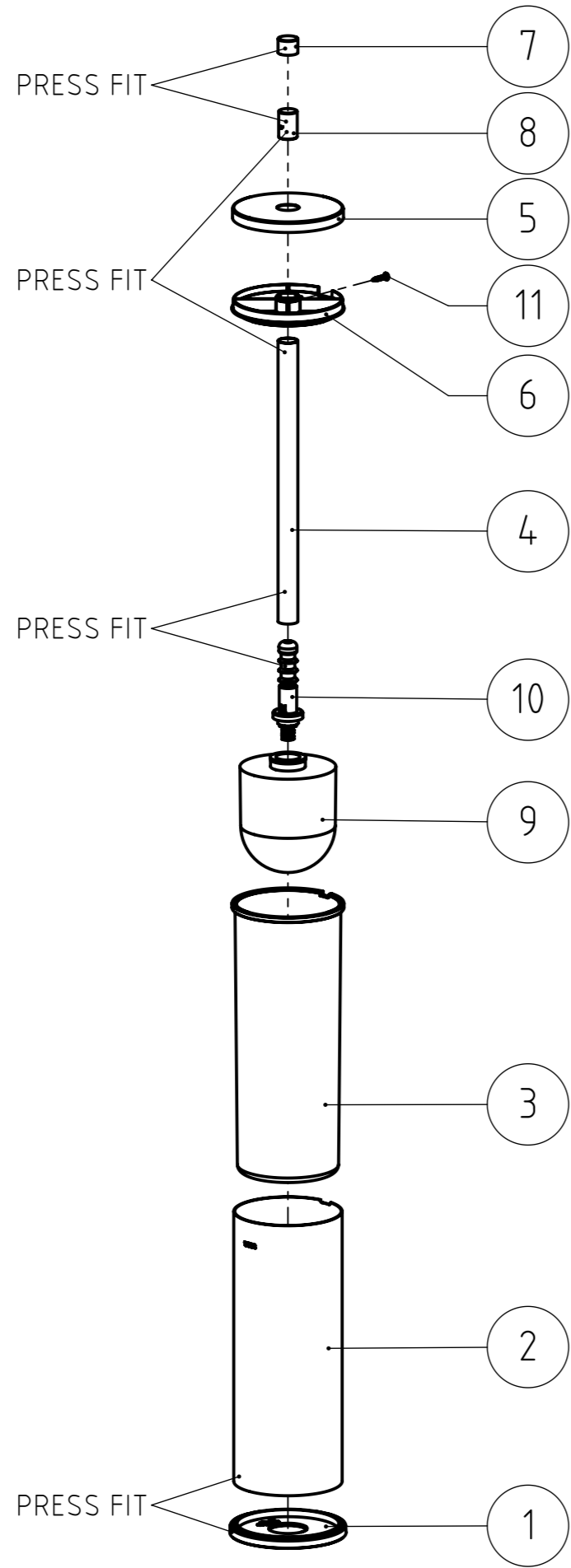
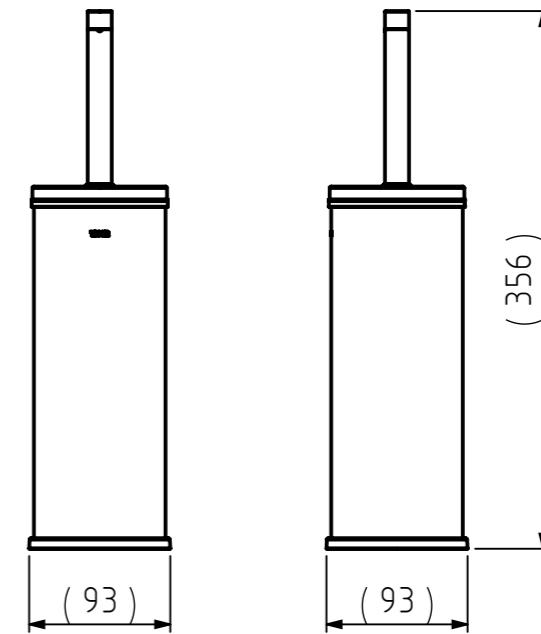


FINAL DRAWING



REVISIONS				
REV.	DESCRIPTION	DATE	BY	APPROVED
-	See 130.08.00.TC	-	-	-



11	Cross recessed countersunk head tapping screw	1	DIN.7982 CZ	Stainless steel A2	-
10	Toilet brush connector	1	BUY.05.02	PP - Black RAL 9005	-
9	Toilet brush head	1	BUY.05.03	-	-
8	Arm holder	1	040.10.03	Zamac3	Chromium Plated
7	Arm cap	1	040.06.07	Stainless steel AISI 304	Brushed
6	Inner cover	1	130.07.06	PP - Black RAL 9005, semi gloss	Texture VDI 3400 ref.30 (standard)
5	Brush cover	1	130.07.05	Stainless steel AISI 304	Brushed
4	Handle	1	130.07.04	Stainless steel AISI 304	Brushed
3	Inner pot	1	130.07.02	PP - Black RAL 9005, semi gloss	Texture VDI 3400 ref.30 (standard)
2	Pot	1	130.08.02	Stainless steel AISI 304	Brushed
1	Bottom freestanding	1	130.08.01	PP - Black RAL 9005, semi gloss	Texture VDI 3400 ref.30 (standard)
NR.	DESCRIPTION	QTY.	DRAW.NR.	MATERIAL	TREATMENT

GENERAL DIMENSION UNLESS OTHERWISE STATED ACCORDING TO DIN 7168							DESCRIPTION:	
CLASS	NOMINAL MEASUREMENTS (mm)						Toilet brush and holder freestanding	
	0.5 UNTIL 3	3 UNTIL 6	6 UNTIL 30	30 UNTIL 120	120 UNTIL 400	400 UNTIL 1000		
M (MIDDLE)	±0.1	±0.1	±0.2	±0.3	±0.5	±0.8	±1.2	±2
PROJECTION:	GENERAL ANGLE:		EAN:		VERSION NAME:		ARTICLE NR.:	
	±0,5°		4008913074428		stainless steel		3074.3.09.46	
DRAWN BY:	MS		GENERAL ROUGHNESS:		PROJECT:		TIGER Tiger Products b.v. Winde 3, PO box 11 5660 AA Geldrop The Netherlands	
CHECKED BY:	-		0,8/		130-Boston			
DATE:	12-6-2009		UNITS:		DRAWING NR.:			
STATUS:	Production		mm		130.08.00.TS			
PRINT DATE:	3-10-2024		SCALE:		1:5			
INT.REV.NR.:	1		FORMAT:		A3			
			SHEET:		2/3			

The reproduction, distribution and utilization of this document as well as the communication of its contents to others without express authorization is prohibited. Offenders will be held liable for the payment of damages. All rights reserved in the event of the grant of a patent, utility model or design. Copyright reserved.