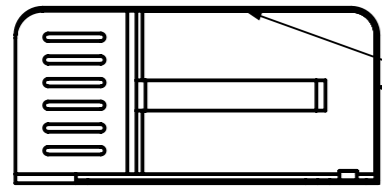
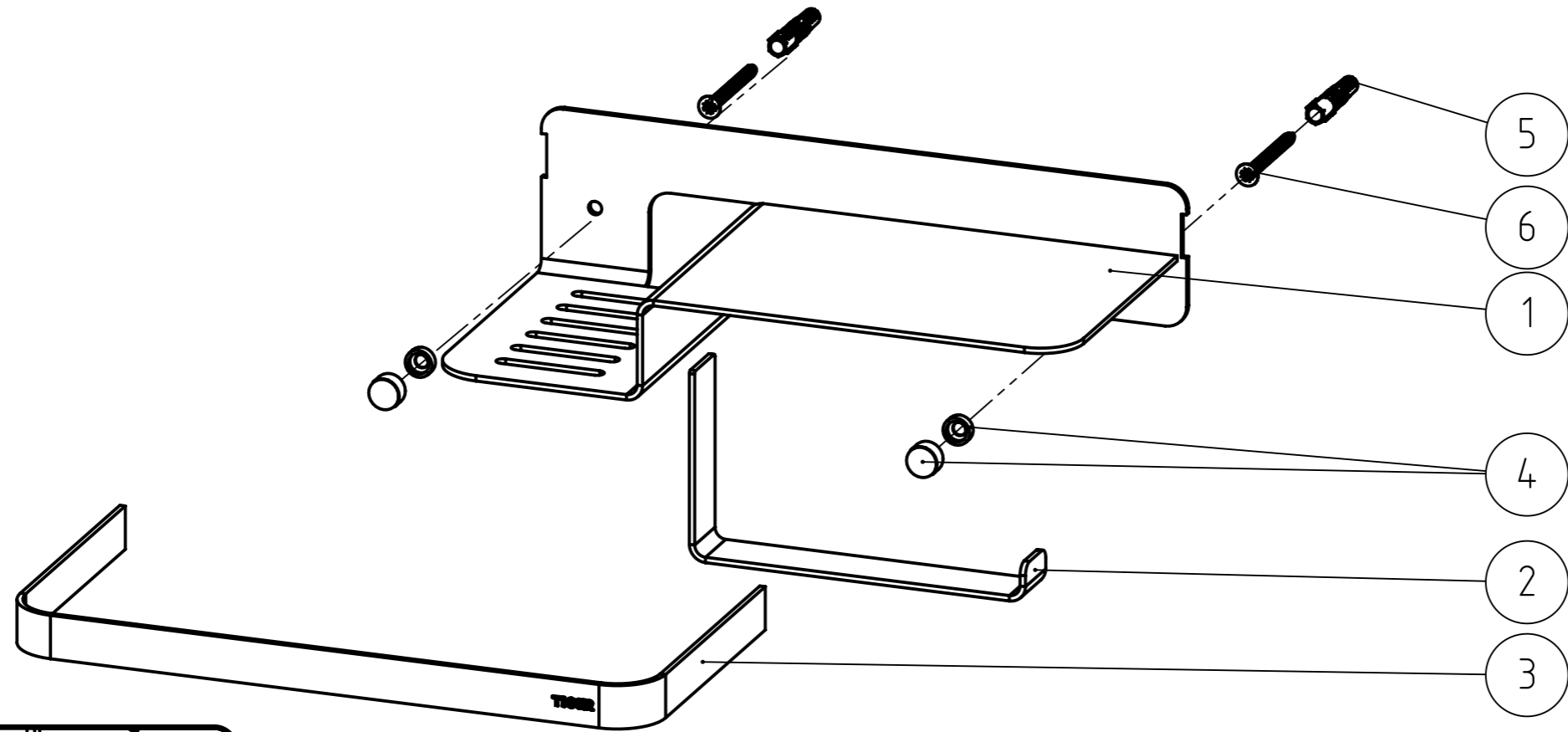
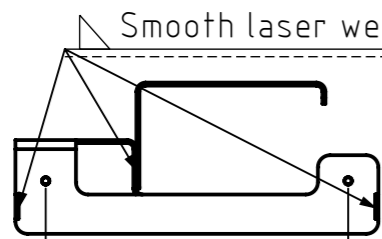


FINAL DRAWING

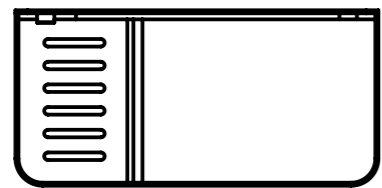


Smooth laser welded (grinded) 2x20mm

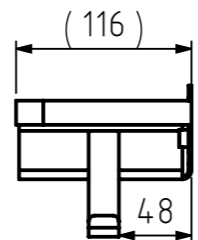
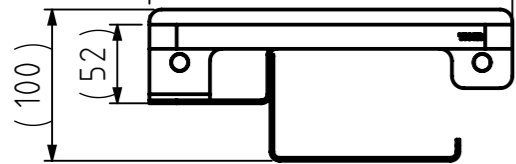


Smooth laser welding (grinded)

(200)



(240)



Remarks:
- Avoid welding marks

NR.	DESCRIPTION	QTY.	DRAW.NR.	MATERIAL	TREATMENT
6	Cross recessed countersunk head tapping screw	2	DIN.7982 CZ	Stainless steel A2	-
5	Fischer UX6 plug	2	FIX.0028	Nylon	-
4	Screw cap assembly (11,5x6,2mm)	2	BUY.15.00	-	Brushed
3	Strip	1	207.07.03	Stainless steel AISI 304	Brushed
2	Arm	1	207.07.02	Stainless steel AISI 304	Brushed
1	Toilet roll holder	1	207.07.01	Stainless steel AISI 304	Brushed

GENERAL DIMENSION UNLESS OTHERWISE STATED ACCORDING TO DIN 7168							DESCRIPTION:	
CLASS	NOMINAL MEASUREMENTS (mm)						Toilet roll holder	
	0.5 UNTIL 3	3 UNTIL 6	6 UNTIL 30	30 UNTIL 120	120 UNTIL 400	400 UNTIL 1000		
M (MIDDLE)	±0.1	±0.1	±0.2	±0.3	±0.5	±0.8	±1.2	±2
PROJECTION:	GENERAL ANGLE:		EAN:		VERSION NAME:			ARTICLE NR.:
	±0,5°		4008911401400		stainless steel			1401430946
DRAWN BY:	FVP		GENERAL ROUGHNESS:		PROJECT:			TIGER Tiger Nederland b.v. Winde 3, PO box 11 5660 AA Geldrop The Netherlands
CHECKED BY:	MS		0,8/		207-Caddy			
DATE:	30-1-2020		UNITS:		DRAWING NR.:			
STATUS:	Production		mm		207.07.00.TS			
PRINT DATE:	8-4-2025		SCALE:		1:5			
INT.REV.NR.:	00		FORMAT:		A3			
			SHEET:		1/3			

The reproduction, distribution and utilization of this document as well as the communication of its contents to others without express authorization is prohibited. Offenders will be held liable for the payment of damages. All rights reserved in the event of the grant of a patent, utility model or design. Copyright reserved.