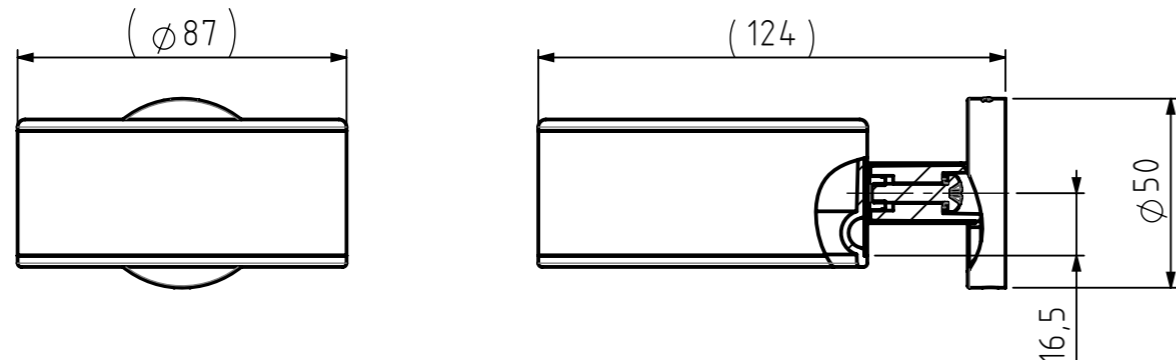
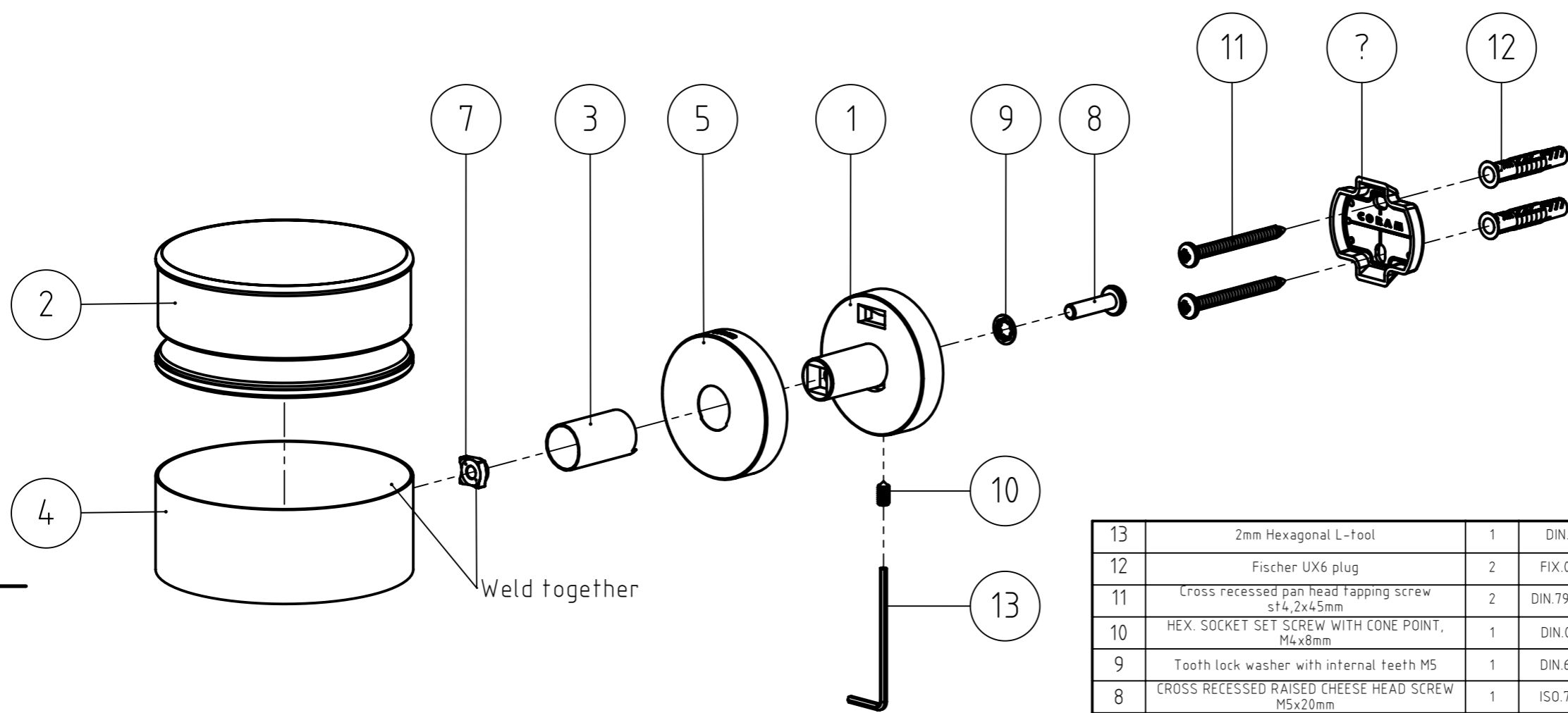


FINAL DRAWING



NR.	DESCRIPTION	QTY.	DRAW.NR.	MATERIAL	TREATMENT
13	2mm Hexagonal L-tool	1	DIN.911	Tool steel	-
12	Fischer UX6 plug	2	FIX.0028	-	-
11	Cross recessed pan head tapping screw st4,2x4,5mm	2	DIN.7981 CZ	Stainless steel A2	-
10	HEX. SOCKET SET SCREW WITH CONE POINT, M4x8mm	1	DIN.0914	Stainless steel A2	-
9	Tooth lock washer with internal teeth M5	1	DIN.6797	Stainless steel A2	-
8	CROSS RECESSED RAISED CHEESE HEAD SCREW M5x20mm	1	ISO.7045	Stainless steel A2	-
7	SQUARE WELD NUT, M5	1	DIN.928	STAINLESS STEEL	-
6	Wallplate Type 1	1	226.03.02	Stainless steel AISI 304	Sand blasted
5	Cover	1	040.01.03	Stainless steel AISI 304	Brushed
4	Holder ring	1	040.79.04	Stainless steel AISI 304	Brushed
3	Support tube	1	040.79.03	Stainless steel AISI 304	Brushed
2	Insert holder ring	1	040.79.02	TPE 70 Shore A - Black RAL 9005	Texture VDI 3400 ref.30 (standard)
1	Wall support brush pot	1	040.12.06	Zamac3	Chromium Plated

GENERAL DIMENSION UNLESS OTHERWISE STATED ACCORDING TO DIN 7168

CLASS	NOMINAL MEASUREMENTS (mm)							
	0.5 UNTIL 3	3 UNTIL 6	6 UNTIL 30	30 UNTIL 120	120 UNTIL 400	400 UNTIL 1000	1000 UNTIL 2000	2000 UNTIL 4000
M (MIDDLE)	±0.1	±0.1	±0.2	±0.3	±0.5	±0.8	±1.2	±2

PROJECTION: GENERAL ANGLE: ±0,5° EAN: 4008913053416

DESCRIPTION: Hair dryer holder

VERSION NAME: stainless steel ARTICLE NR.: 3053.3.09.46

DRAWN BY: CHECKED BY: DATE: 23-5-2019 UNITS: mm PROJECT: 114-Boston DRAWING NR.: 040.79.00.TS

STATUS: Production SCALE: 1:2 PRINT DATE: 7-10-2024 FORMAT: A3 INT.REV.NR.: P00 SHEET: 2/2

TIGER
Tiger Nederland b.v.
Winde 3, PO box 11
5660 AA Geldrop
The Netherlands

The reproduction, distribution and utilization of this document as well as the communication of its contents to others without express authorization is prohibited. Offenders will be held liable for the payment of damages. All rights reserved in the event of the grant of a patent, utility model or design. Copyright reserved.