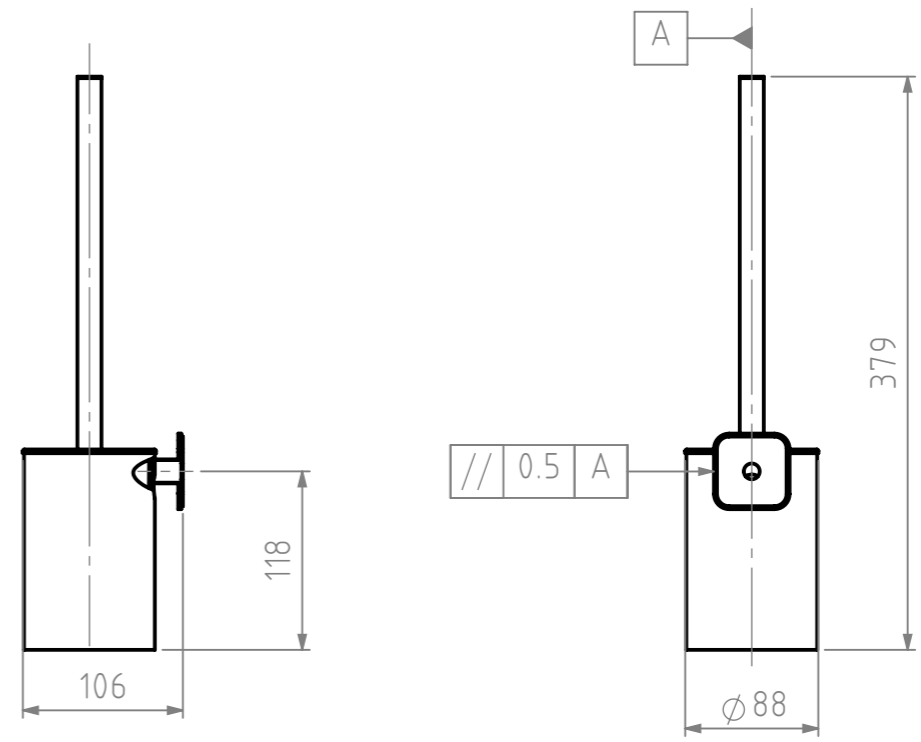
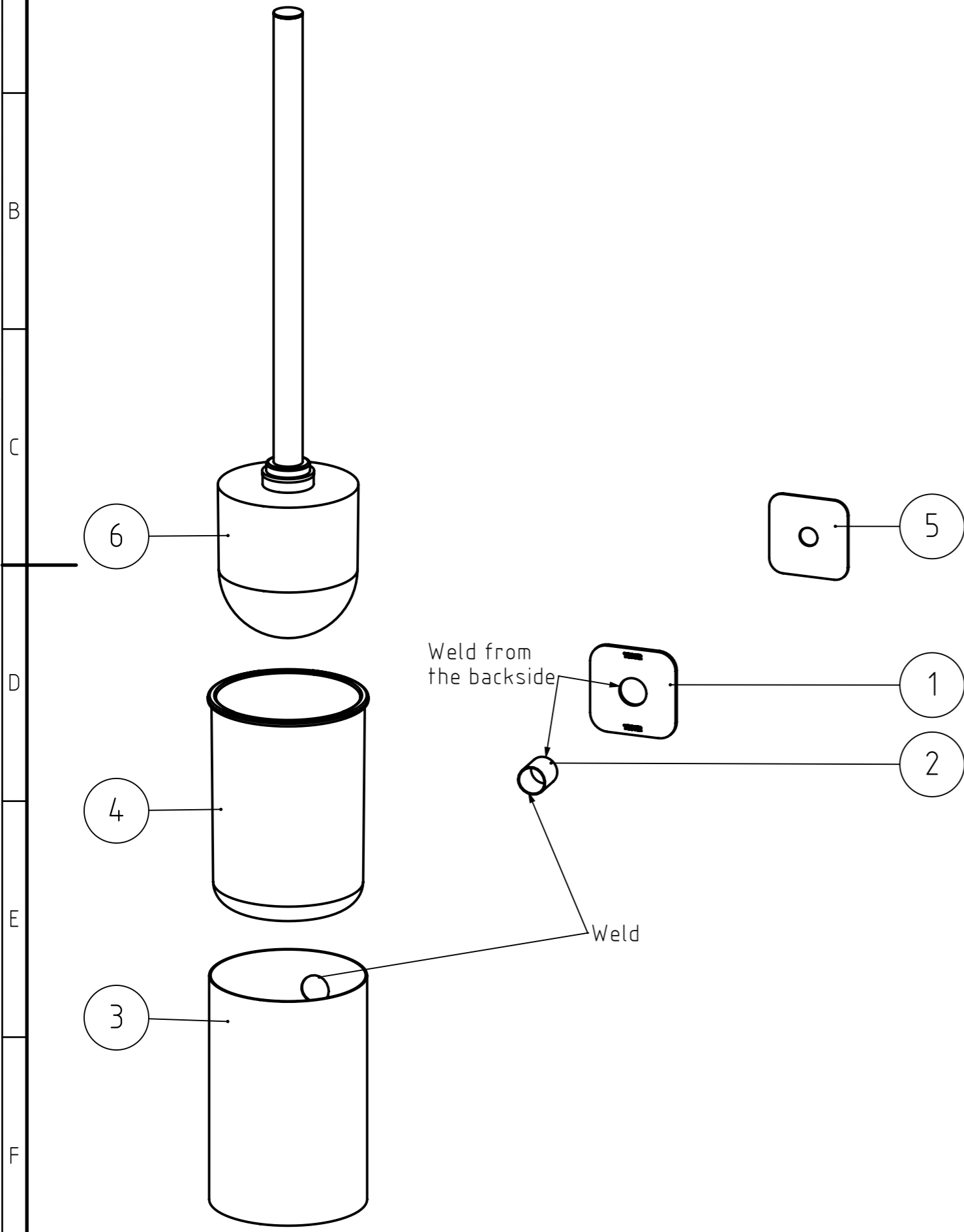


FINAL DRAWING

REVISIONS

REV.	DESCRIPTION	DATE	BY	APPROVED
-	See 205.17.00.TS	-	-	-



NR.	DESCRIPTION	QTY.	DRAW.NR.	MATERIAL	TREATMENT
6	Toilet brush subassy - Flat head, chrome	1	BUY.05.00	-	-
5	Tape pad big	1	205.04.08	3M Tape VHB GPH110 1.10mm	-
4	Inner brush pot	1	205.17.02	PP - Black RAL 9005, semi gloss	Texture VDI 3400 ref.30 (standard)
3	Toilet brush holder (no logo)	1	205.17.01	Stainless steel 304	Polished - High gloss
2	Tube	1	205.03.03	Stainless steel 304	Polished - High gloss
1	Wall plate 2	1	205.09.04	Stainless steel 304	Polished - High gloss

GENERAL DIMENSION UNLESS OTHERWISE STATED ACCORDING TO DIN 7168								DESCRIPTION:	
CLASS	NOMINAL MEASUREMENTS (mm)							Toilet brush and holder	
	0.5 UNTIL 3	3 UNTIL 6	6 UNTIL 30	30 UNTIL 120	120 UNTIL 400	400 UNTIL 1000	1000 UNTIL 2000		
M (MIDDLE)	±0.1	±0.1	±0.2	±0.3	±0.5	±0.8	±1.2	±2	
PROJECTION:		GENERAL ANGLE:		VERSION NAME:		ARTICLE NR. (packed product):			
		±0,5°		chrome		1314830346 (for packaging information see GDS)			
DRAWN BY:		MS		GENERAL ROUGHNESS:		0,8		PROJECT:	
CHECKED BY:								205-Colar	
DATE:		18-1-2016		UNITS:		mm		DRAWING NR:	
STATUS:		Production		SCALE:		1:5		205.17.00.TC	
PRINT DATE:		14-4-2026		FORMAT:		A3		TIGER Tiger Products b.v. Winde 3, PO box 11 5660 AA Geldrop The Netherlands	
INT.REV.NR.:		6		SHEET:		2/3			

The reproduction, distribution and utilization of this document as well as the communication of its contents to others without express authorization is prohibited. Offenders will be held liable for the payment of damages. All rights reserved in the event of the grant of a patent, utility model or design. Copyright reserved.