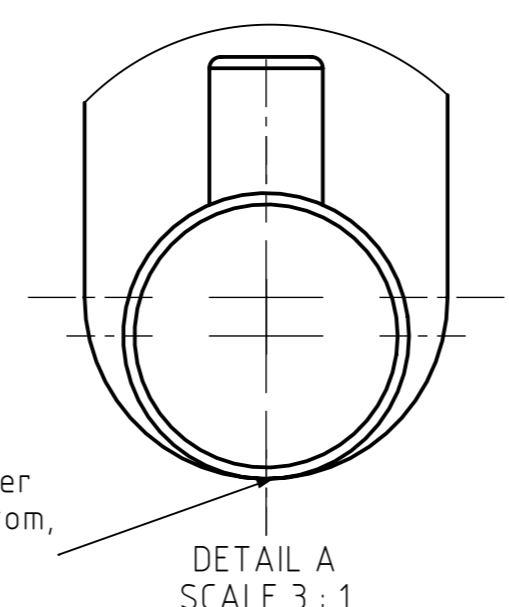
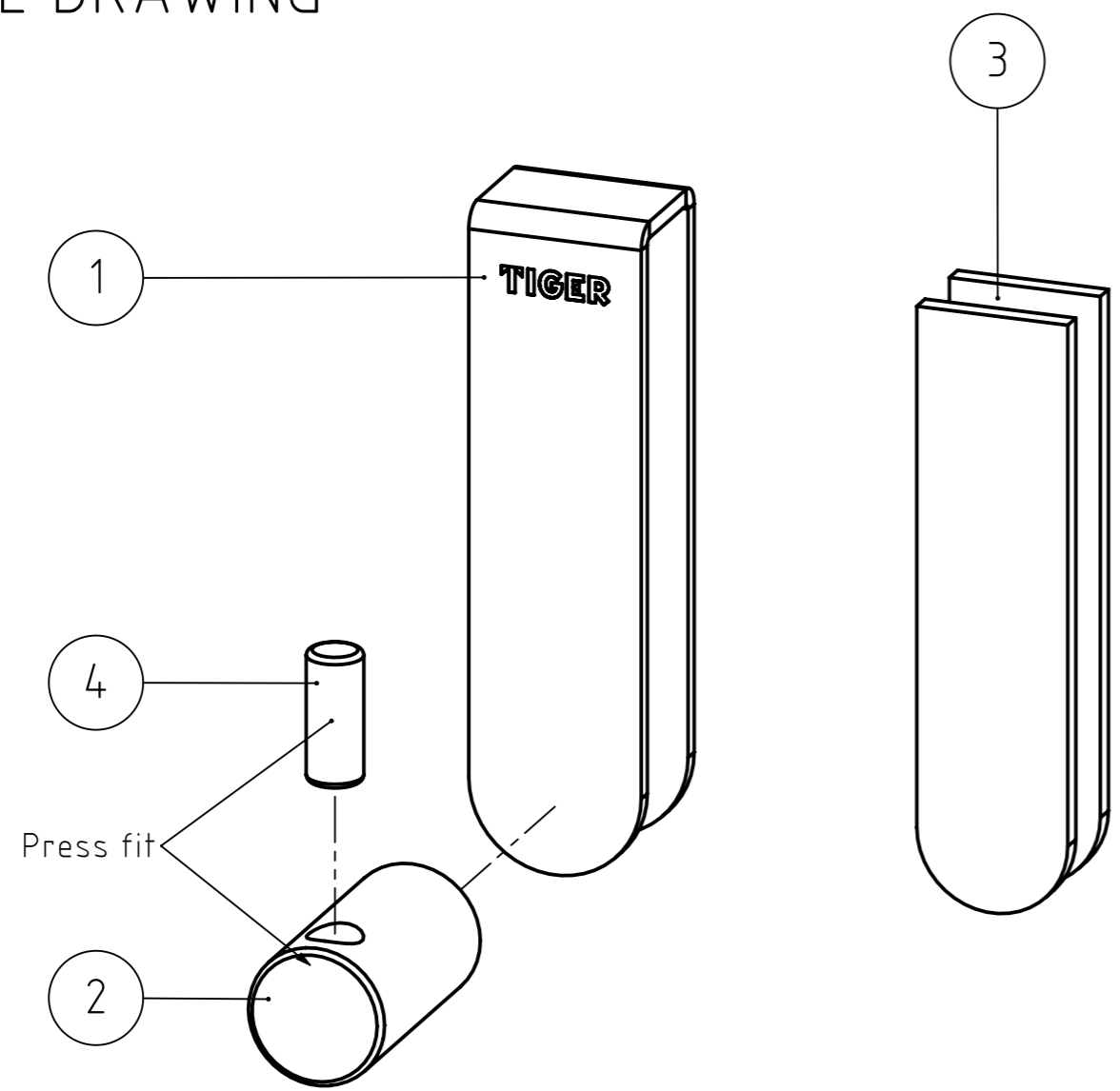
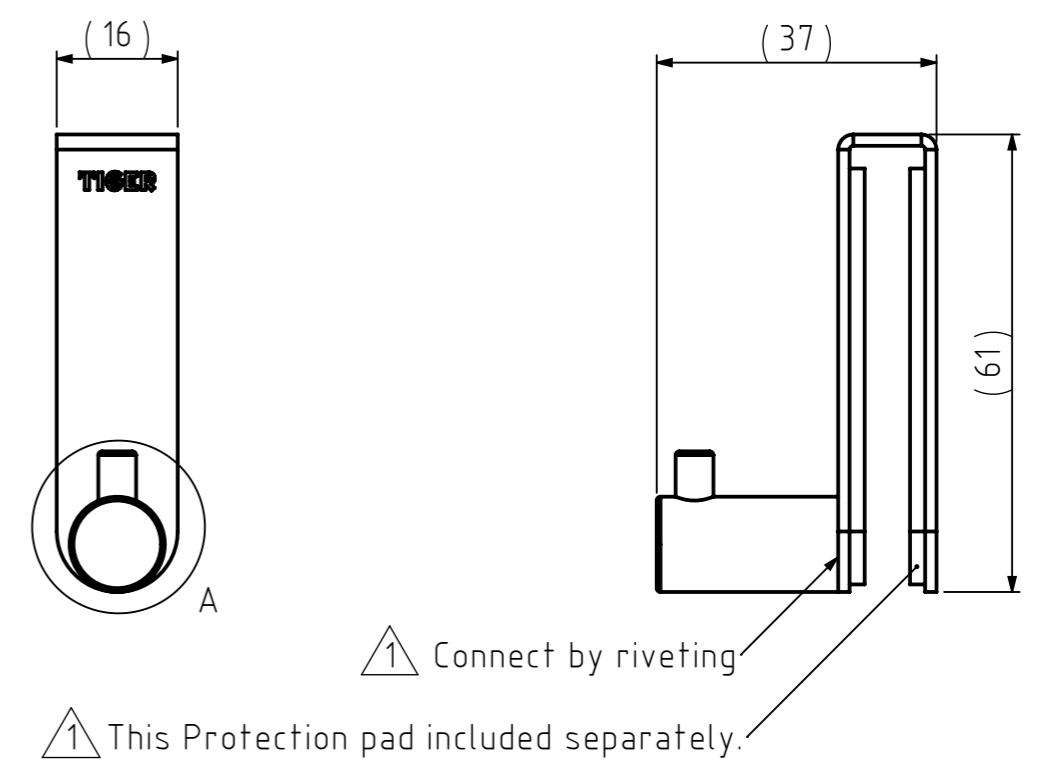


FINAL DRAWING



Glass hook (nr.1) and Pin holder (nr.2) are aligned at the bottom, not centered on each other.

REVISIONS				
REV.	DESCRIPTION	DATE	BY	APPROVED
1	Connection method changed from weld to rivet. Front Protection pad is attached to glass hook, back Protection pad is included separately.	8-8-2017	MS	WW



- Remarks:
- Glass hook (nr.1) and Pin holder (nr.2) are aligned at the bottom, not centered on each other.
 - One of the Protection pads (nr.3) is not attached to the other parts. (Included separately)
 - Make the back of the riveting as flat as possible.

NR.	DESCRIPTION	QTY.	DRAW.NR.	MATERIAL	TREATMENT
4	Pin	1	225.08.04	Stainless steel 304	Brushed
3	Protection pad	2	225.08.03	Silicone rubber, PMS 432C, 60 Shore A	One side adhesive
2	Pin holder	1	225.08.02	Stainless steel 304	Brushed
1	Glass hook	1	225.08.01	Stainless steel 304	Brushed

GENERAL DIMENSION UNLESS OTHERWISE STATED ACCORDING TO DIN 7168			DESCRIPTION:					
NOMINAL MEASUREMENTS (mm)			Shower hook Rhino					
CLASS	0.5 UNTIL 3	3 UNTIL 6	6 UNTIL 30	30 UNTIL 120	120 UNTIL 400	400 UNTIL 1000	1000 UNTIL 2000	2000 UNTIL 4000
M (MIDDLE)	±0.1	±0.1	±0.2	±0.3	±0.5	±0.8	±1.2	±2
PROJECTION:	GENERAL ANGLE:		EAN:		VERSION NAME:		ARTICLE NR.:	
	±0,5°		4008911118407		stainless steel		11183.3.09.42	
DRAWN BY:	MS	GENERAL ROUGHNESS:		PROJECT:		DRAWING NR.:		
CHECKED BY:	F.H.	0,8/✓		225-Hooks 2016		TIGER		
DATE:	11-2-2016	UNITS:		225.08.00.TS		Tiger Products b.v.		
STATUS:	Production	SCALE:				Winde 3, PO box 11		
PRINT DATE:	8-4-2026	FORMAT:				5660 AA Geldrop		
INT.REV.NR.:	01	SHEET:				The Netherlands		
		1/1						

The reproduction, distribution and utilization of this document as well as the communication of its contents to others without express authorization is prohibited. Offenders will be held liable for the payment of damages. All rights reserved in the event of the grant of a patent, utility model or design. Copyright reserved.