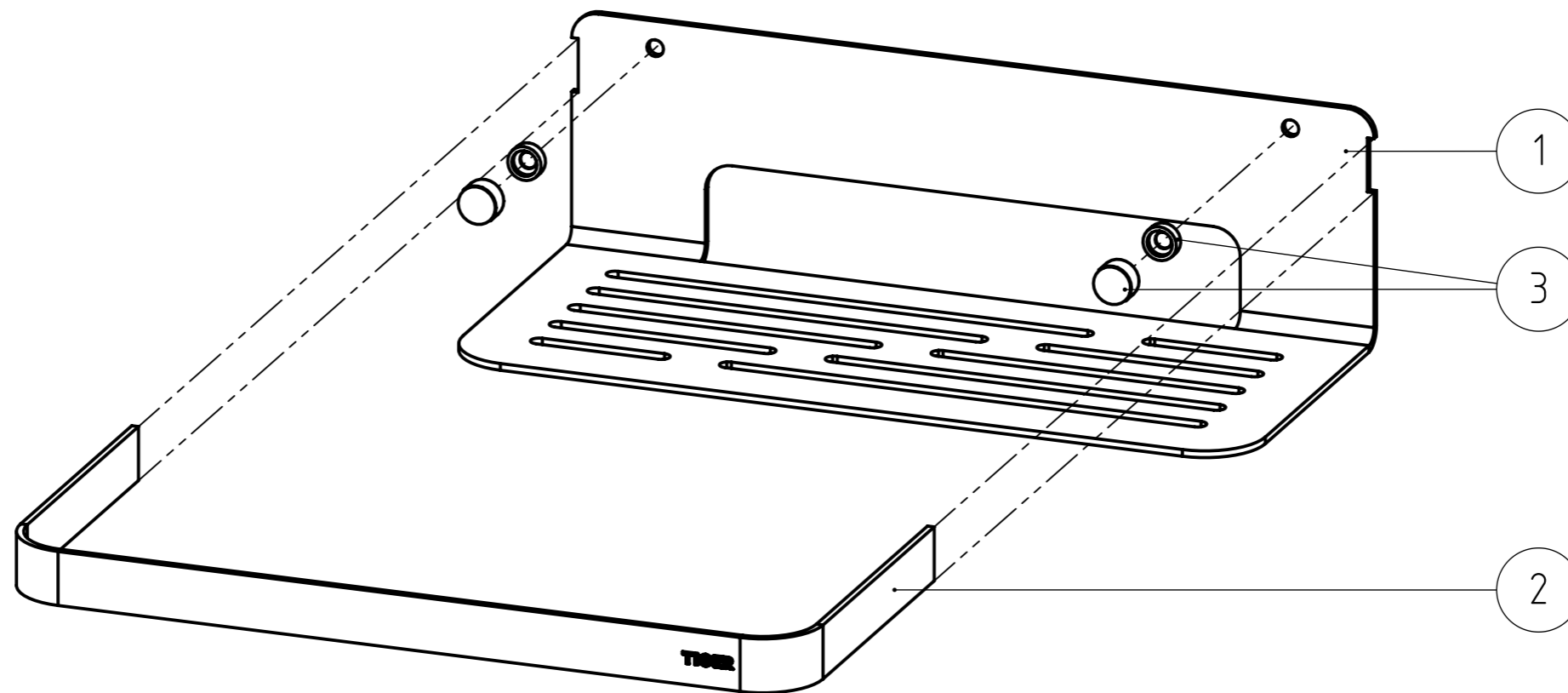
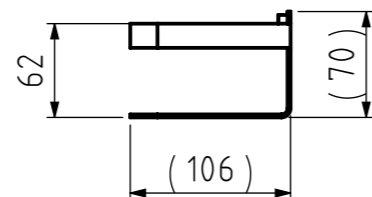
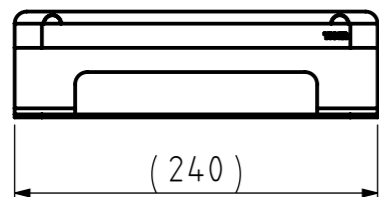
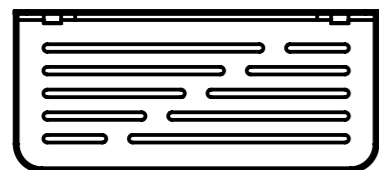
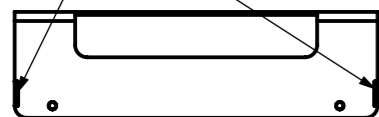


FINAL DRAWING

REVISIONS				
REV.	DESCRIPTION	DATE	BY	APPROVED
-	See 207.02.00.TS	-	-	-



Smooth welds (grinded)



Remarks:

- Only weld on the back side
- Add '9953.1.80.50 - Fixationset Info 4,5 x 45 mm RVS A2 (Vigo-style)'

NR.	DESCRIPTION	QTY.	DRAW.NR.	MATERIAL	TREATMENT
3	Screw cap assembly (11,5x6,2mm)	2	BUY.15.00	-	Powder coated, texture VDI 3400 ref.30 - RAL 9005 (Jet black)
2	Strip	1	207.02.02	Stainless steel AISI 430	Powder coated, texture VDI 3400 ref.30 - RAL 9005 (Jet black)
1	Basket	1	207.02.01	Stainless steel AISI 430	Powder coated, texture VDI 3400 ref.30 - RAL 9005 (Jet black)

GENERAL DIMENSION UNLESS OTHERWISE STATED ACCORDING TO DIN 7168								DESCRIPTION:	
CLASS	NOMINAL MEASUREMENTS (mm)							Basket	
	0.5 UNTIL 3	3 UNTIL 6	6 UNTIL 30	30 UNTIL 120	120 UNTIL 400	400 UNTIL 1000	1000 UNTIL 2000		
M (MIDDLE)	±0.1	±0.1	±0.2	±0.3	±0.5	±0.8	±1.2	±2	
PROJECTION:	GENERAL ANGLE:		EAN:		VERSION NAME:			ARTICLE NR.:	
	±0,5°		4008911400083		black			14000.3.07.46	
DRAWN BY:	MS		GENERAL ROUGHNESS:		PROJECT:			 Tiger Nederland b.v. Winde 3, PO box 11 5660 AA Geldrop The Netherlands	
CHECKED BY:	FVP		0,8/		207-Caddy				
DATE:	30-10-2013		UNITS:		DRAWING NR.:				
STATUS:	Production		mm		207.02.00.TB				
PRINT DATE:	8-4-2025		SCALE:		FORMAT:				
INT.REV.NR.:	06		SHEET:		3/4				