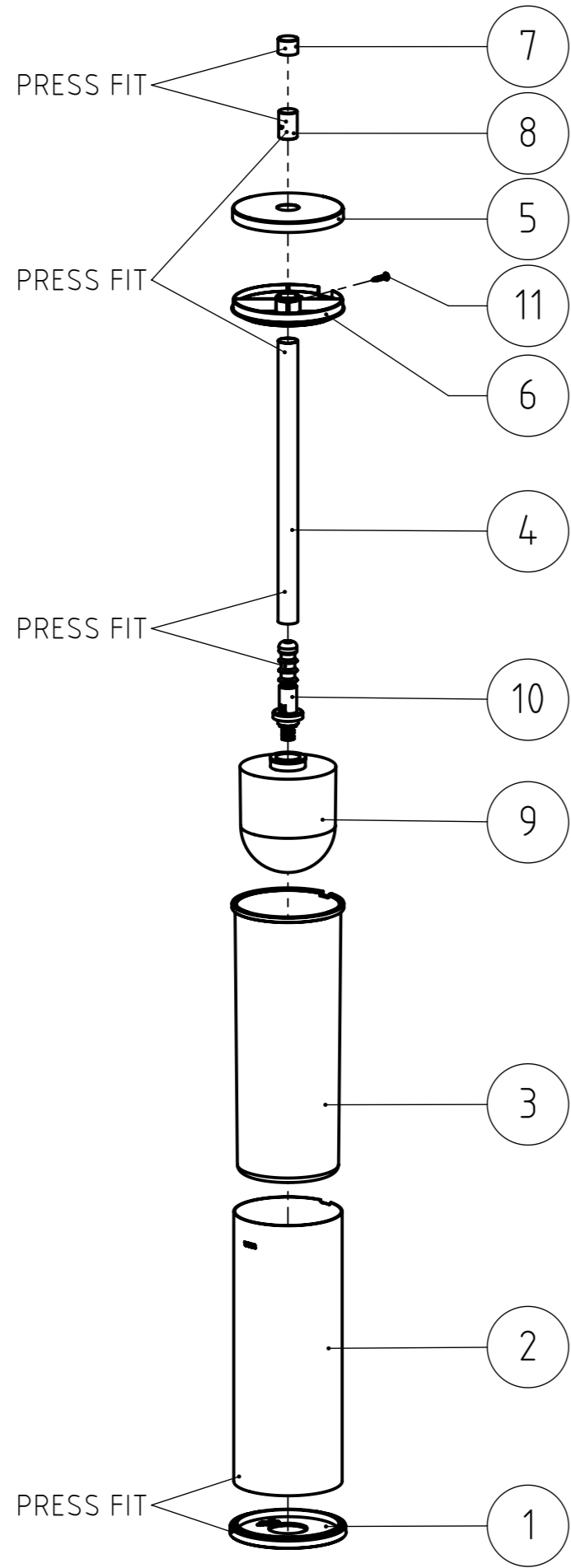
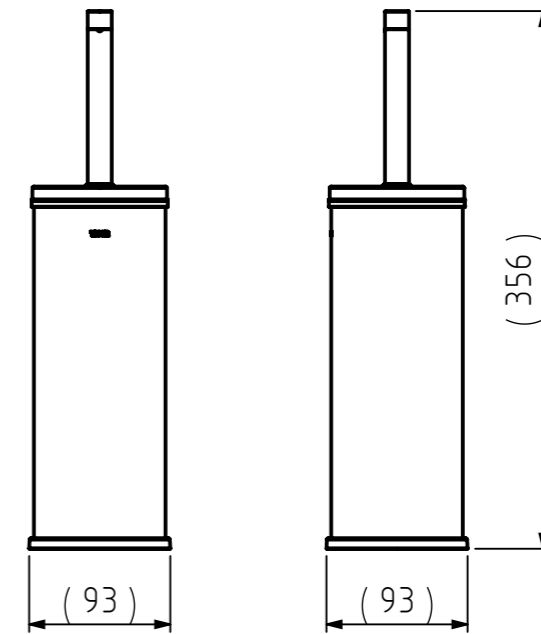


FINAL DRAWING



REVISIONS				
REV.	DESCRIPTION	DATE	BY	APPROVED
1	Black version created	10-10-2017	MS	WW



11	Cross recessed countersunk head tapping screw	1	DIN.7982 CZ	Stainless steel A2	-
10	Toilet brush connector	1	BUY.05.02	PP - Black RAL 9005	-
9	Toilet brush head	1	BUY.05.03	-	-
8	Arm holder	1	040.10.03	Zamac3	Chromium Plated
7	Arm cap	1	040.06.07	Stainless steel AISI 304	Polished - High gloss
6	Inner cover	1	130.07.06	PP - Black RAL 9005, semi gloss	Texture VDI 3400 ref.30 (standard)
5	Brush cover	1	130.07.05	Stainless steel AISI 304	Polished - High gloss
4	Handle	1	130.07.04	Stainless steel AISI 304	Polished - High gloss
3	Inner pot	1	130.07.02	PP - Black RAL 9005, semi gloss	Texture VDI 3400 ref.30 (standard)
2	Pot	1	130.08.02	Stainless steel AISI 304	Polished - High gloss
1	Bottom freestanding	1	130.08.01	PP - Black RAL 9005, semi gloss	Texture VDI 3400 ref.30 (standard)
NR.	DESCRIPTION	Q.TY.	DRAW.NR.	MATERIAL	TREATMENT

GENERAL DIMENSION UNLESS OTHERWISE STATED ACCORDING TO DIN 7168		DESCRIPTION:																										
<table border="1"> <thead> <tr> <th rowspan="2">CLASS</th> <th colspan="7">NOMINAL MEASUREMENTS (mm)</th> </tr> <tr> <th>0.5 UNTIL 3</th> <th>3 UNTIL 6</th> <th>6 UNTIL 30</th> <th>30 UNTIL 120</th> <th>120 UNTIL 400</th> <th>400 UNTIL 1000</th> <th>1000 UNTIL 2000</th> <th>2000 UNTIL 4000</th> </tr> </thead> <tbody> <tr> <td>M (MIDDLE)</td> <td>±0.1</td> <td>±0.1</td> <td>±0.2</td> <td>±0.3</td> <td>±0.5</td> <td>±0.8</td> <td>±1.2</td> <td>±2</td> </tr> </tbody> </table>		CLASS	NOMINAL MEASUREMENTS (mm)							0.5 UNTIL 3	3 UNTIL 6	6 UNTIL 30	30 UNTIL 120	120 UNTIL 400	400 UNTIL 1000	1000 UNTIL 2000	2000 UNTIL 4000	M (MIDDLE)	±0.1	±0.1	±0.2	±0.3	±0.5	±0.8	±1.2	±2	Toilet brush and holder freestanding	
CLASS	NOMINAL MEASUREMENTS (mm)																											
	0.5 UNTIL 3	3 UNTIL 6	6 UNTIL 30	30 UNTIL 120	120 UNTIL 400	400 UNTIL 1000	1000 UNTIL 2000	2000 UNTIL 4000																				
M (MIDDLE)	±0.1	±0.1	±0.2	±0.3	±0.5	±0.8	±1.2	±2																				
PROJECTION: GENERAL ANGLE: ±0,5° EAN: 4008913074411		VERSION NAME: chrome	ARTICLE NR.: 3074.3.03.46																									
DRAWN BY: MS CHECKED BY: - DATE: 12-6-2009 STATUS: Production PRINT DATE: 3-10-2024 INT.REV.NR.: 1		GENERAL ROUGHNESS: 0,8 ✓ UNITS: mm SCALE: 1:5 FORMAT: A3 SHEET: 1/3	PROJECT: 130-Boston DRAWING NR.: 130.08.00.TC TIGER Tiger Products b.v. Winde 3, PO box 11 5660 AA Geldrop The Netherlands																									

The reproduction, distribution and utilization of this document as well as the communication of its contents to others without express authorization is prohibited. Offenders will be held liable for the payment of damages. All rights reserved in the event of the grant of a patent, utility model or design. Copyright reserved.