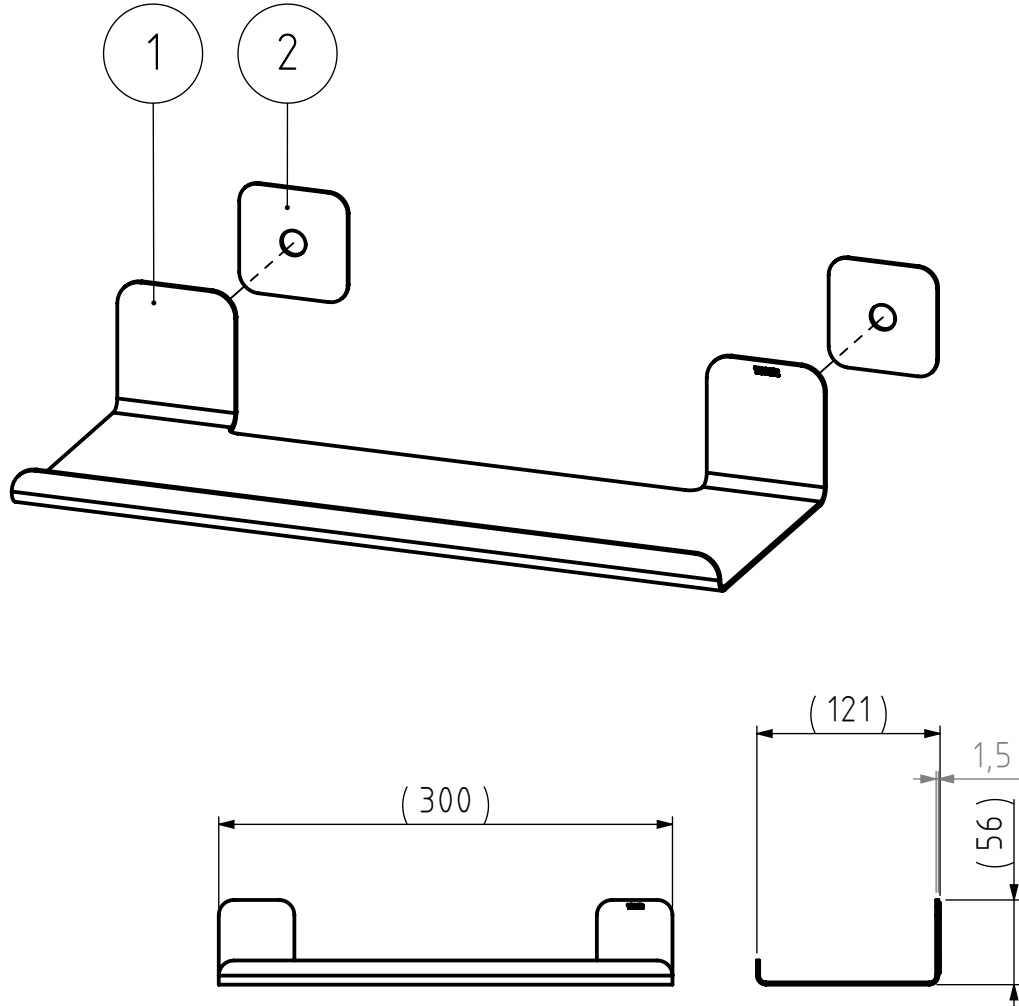


The reproduction, distribution and utilization of this document as well as the communication of its contents to others without express authorization is prohibited. Offenders will be held liable for the payment of damages. All rights reserved in the event of the grant of a patent, utility model or design. Copyright reserved.

1	2		3		4	
REVISIONS						
REV.	DESCRIPTION			DATE	BY	APPROVED
1	Black version added.			27-7-2021	MS	FvP
2	3M Tape change VHB4945 -> GPH110. And sheet thickness 2.0->1.5mm			10-10-2023	JDB	

FINAL DRAWING



2	Tape pad big	2	205.04.08	3M Tape VHB GPH110 1.10mm	-
1	Shelf	1	205.10.01	Stainless steel 304	Brushed
NR.	DESCRIPTION	QTY.	DRAW.NR.	MATERIAL	TREATMENT

GENERAL DIMENSION UNLESS OTHERWISE STATED ACCORDING TO DIN 7168									DESCRIPTION:	
CLASS	NOMINAL MEASUREMENTS (mm)								Shelf	
	0.5 UNTIL 3	3 UNTIL 6	6 UNTIL 30	30 UNTIL 120	120 UNTIL 400	400 UNTIL 1000	1000 UNTIL 2000	2000 UNTIL 4000		
M (MIDDLE)	±0.1	±0.1	±0.2	±0.3	±0.5	±0.8	±1.2	±2		

PROJECTION:	GENERAL ANGLE:	VERSION NAME:	ARTICLE NR. (packed product):
	±0,5°	stainless steel	1313330946
			(for packaging information see GDS)

DRAWN BY:	MS	GENERAL ROUGHNESS:	0,8	PROJECT:	205-Colar	 Tiger Products b.v. Winde 3, PO box 11 5660 AA Geldrop The Netherlands
CHECKED BY:		UNITS:	mm	DRAWING NR.:	205.10.00.TS	
DATE:	6-8-2015	SCALE:	1:5			
STATUS:	Production	FORMAT:	A4			
PRINT DATE:	14-4-2026	SHEET:	1/3			
INT.REV.NR.:	02					