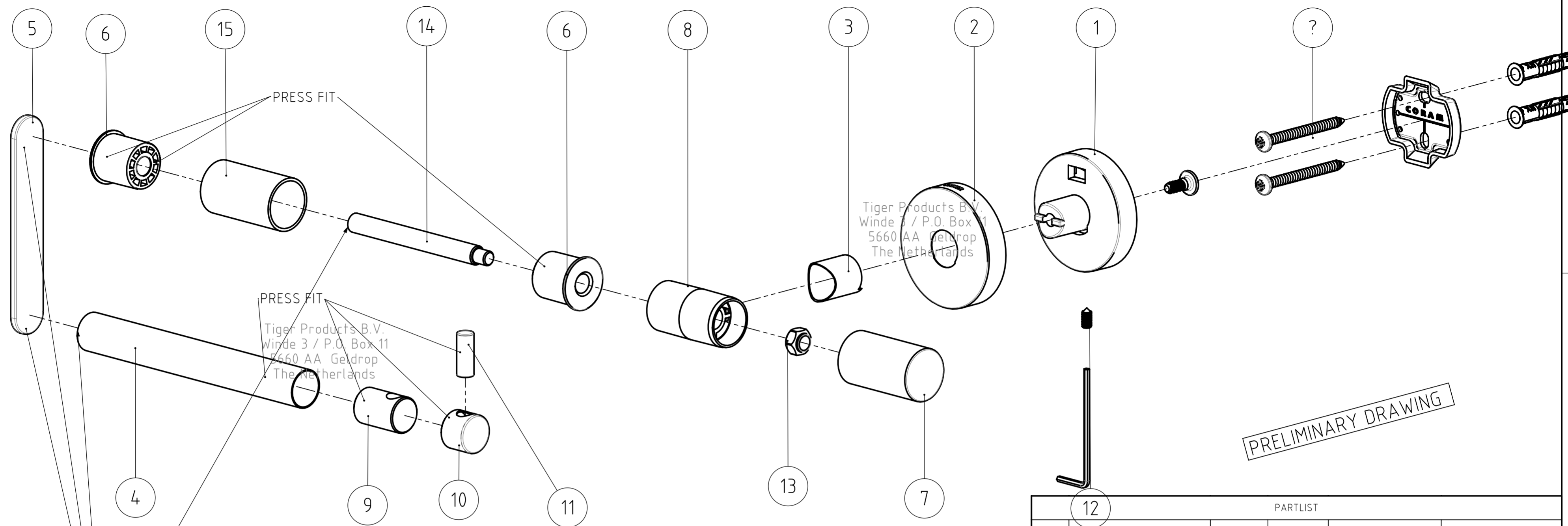


REVISIONS				
REV.	DESCRIPTION	DATE	BY	APPROVED
-	See 040.08.00.TC	-	-	-



Tiger Products B.V.  
Winde 3 / P.O. Box 11  
5660 AA Geldrop  
The Netherlands

Tiger Products B.V.  
Winde 3 / P.O. Box 11  
5660 AA Geldrop  
The Netherlands

Tiger Products B.V.  
Winde 3 / P.O. Box 11  
5660 AA Geldrop  
The Netherlands

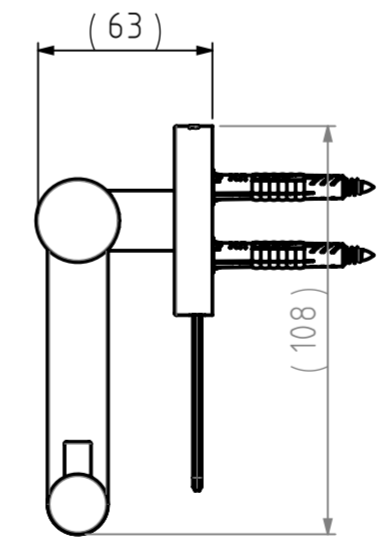
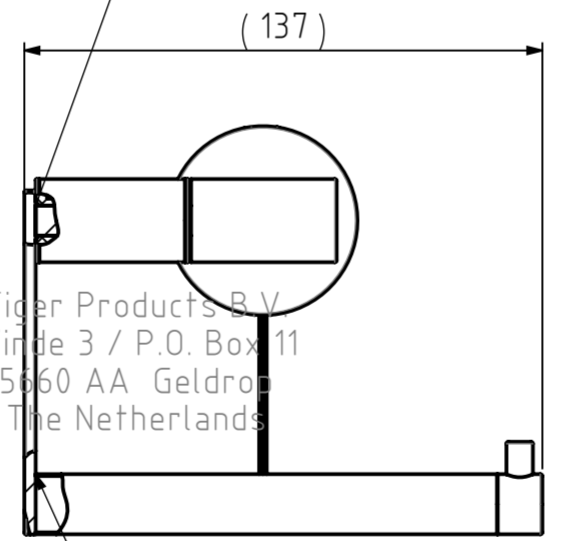
PRELIMINARY DRAWING

POS.NR.	DESCRIPTION	STAINLESS STEEL/ QTY.	DRAW.NR.	MATERIAL	TREATMENT
1	Wall support	1	040.08.12	Zamac3	Chromium Plated
2	Cover	1	040.01.03	Stainless steel AISI 304	BRUSHED
3	Support tube D	1	040.08.13	Stainless steel AISI 304	BRUSHED
4	Hinge support	1	040.08.01	Stainless steel AISI 304	BRUSHED
5	Arm	1	040.08.02	Stainless steel AISI 304	BRUSHED
6	Sleeve B	2	040.08.06	PA 6 - Black RAL 9005, semi gloss	Technical Smooth
7	Centerpiece cover	1	040.08.07	Stainless steel AISI 304	BRUSHED
8	CENTERPIECE B	1	040.08.08	POM GF20	ANTRACITE PANTONE 432C
9	ARM HOLDER	1	040.08.09	ZAMAC	NICKLE PLATED BRUSHED
10	Hook cap	1	040.10.02	Stainless steel AISI 304	BRUSHED
11	Hook	1	040.10.04	Stainless steel AISI 304	BRUSHED
12	HEX. SOCKET SET SCREW WITH CONE POINT, M4x8mm	1	DIN.0914	Stainless steel A2	-
13	SELF PREVAILING NUT, M6	1	DIN.0985	Stainless steel A2	-
14	Insert hinge part	1	040.08.14	Stainless steel AISI 304	-
15	Bush	1	040.09.01	STAINLESS STEEL 304	BRUSHED
16	HEXAL. THREAD FORMING R. CHEESE HEAD SCREW FOR PLASTIC, ST5x12mm	1	FIX.0008	STEEL	ZINC PLATED
17	Wallplate Type 1	1	226.03.02	Stainless steel AISI 304	Sand blasted
18	Cross recessed pan head tapping screw st4,2x45mm	2	DIN.7981 CZ	Stainless steel A2	-
19	Fischer UX6 plug	2	FIX.0028	-	-
20	2mm Hexagonal L-tool	1	DIN.911	Tool steel	-

SMOOTH LASER WELD

SMOOTH LASER WELD

SMOOTH LASER WELD



GENERAL DIMENSION UNLESS OTHERWISE STATED ACCORDING TO DIN 7168		DESCRIPTION:	
NOMINAL MEASUREMENTS (mm)		Toilet roll holder	
CLASS	0.5 UNTIL 3	3 UNTIL 6	6 UNTIL 30
	3 UNTIL 6	6 UNTIL 30	30 UNTIL 120
	6 UNTIL 30	30 UNTIL 120	120 UNTIL 400
	30 UNTIL 120	120 UNTIL 400	400 UNTIL 1000
	120 UNTIL 400	400 UNTIL 1000	1000 UNTIL 2000
	400 UNTIL 1000	1000 UNTIL 2000	2000 UNTIL 4000
M (MIDDLE)	+0.1	+0.2	+0.3
	+0.1	+0.2	+0.3
	+0.2	+0.3	+0.5
	+0.3	+0.5	+0.8
	+0.5	+0.8	+1.2
	+0.8	+1.2	+2
PROJECTION:	GENERAL ANGLE:	VERSION NAME:	ARTICLE NR.:
	±0,5°	STAINLESS STEEL, BRUSHED	3090.3.09.00
DRAWN BY:	F.H.	GENERAL ROUGHNESS: 0,8	PROJECT: 040-BOSTON
CHECKED BY:		UNITS: mm	DRAWING NR: 040.09.00.TS
DATE:	5-3-2013	SCALE: 1:2	Tiger Products b.v. Winde 3, PO box 11 5660 AA Geldrop The Netherlands
STATUS:	Obsolete	FORMAT: A2	
PRINT DATE:	8-10-2024		
INT.REV.NR.:	01		

- Property of Tiger Products b.v., reproduction or distribution of information in any form, without the consent of the owner is prohibited -