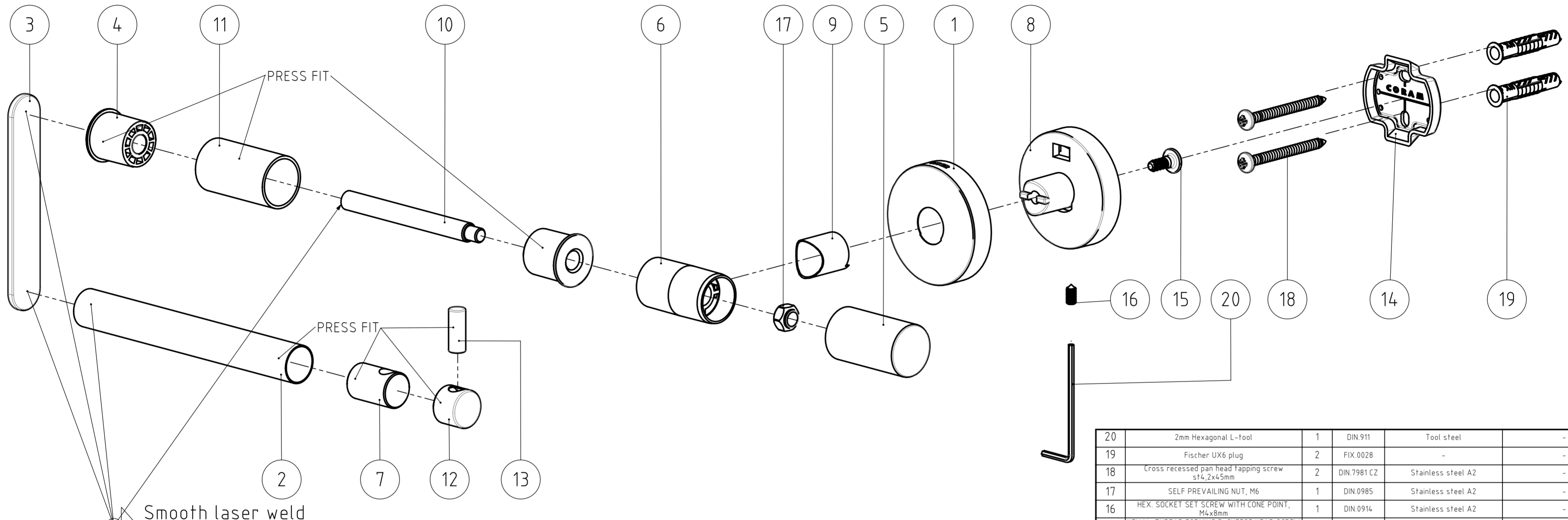
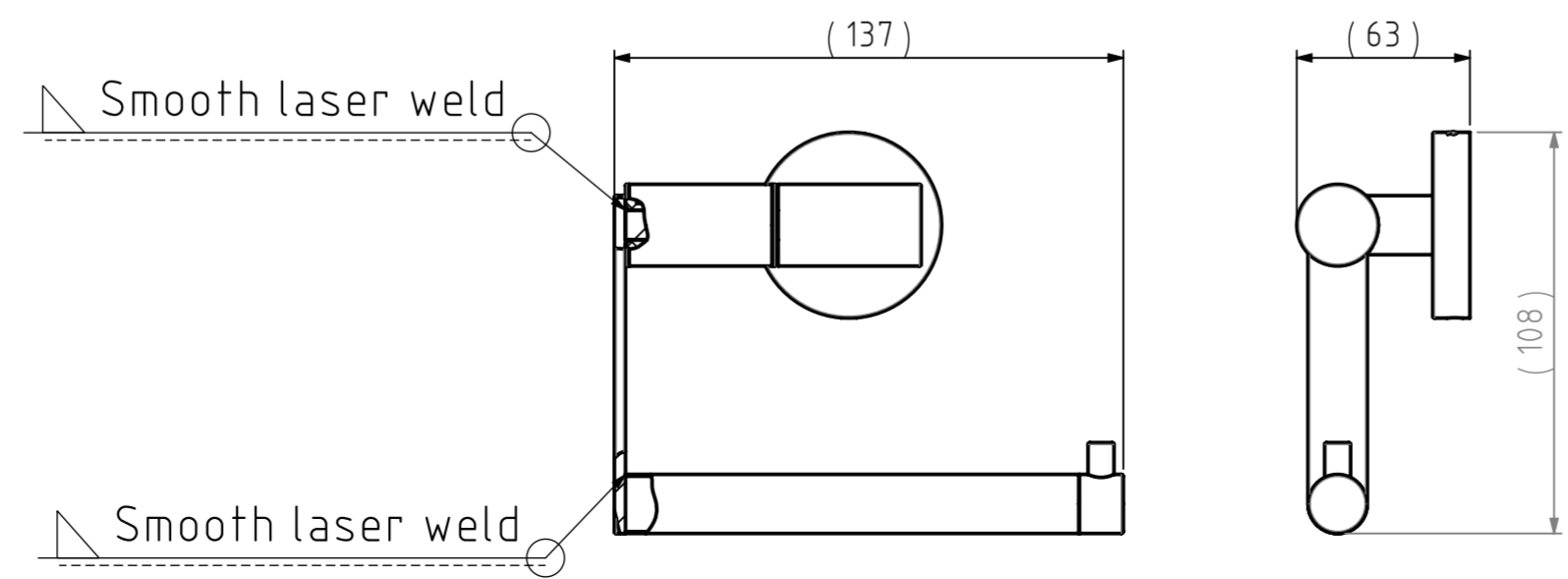


# FINAL DRAWING

REVISIONS				
REV.	DESCRIPTION	DATE	BY	APPROVED
-	See 04.0.09.00.TC	-	-	-



NR.	DESCRIPTION	QTY.	DRAW.NR.	MATERIAL	TREATMENT
20	2mm Hexagonal L-tool	1	DIN 911	Tool steel	-
19	Fischer UX6 plug	2	FIX.0028	-	-
18	Cross recessed pan head tapping screw st4,2x45mm	2	DIN.7981.CZ	Stainless steel A2	-
17	SELF PREVAILING NUT, M6	1	DIN.0985	Stainless steel A2	-
16	HEX. SOCKET SET SCREW WITH CONE POINT, M4x8mm	1	DIN.0914	Stainless steel A2	-
15	HEXAL. THREAD FORMING R. CHEESE HEAD SCREW FOR PLASTIC, ST5x12mm	1	FIX.0008	STEEL	ZINC PLATED
14	Wallplate Type 1	1	226.03.02	Stainless steel AISI 304	Sand blasted
13	Hook	1	04.0.10.04	Stainless steel AISI 430	Powder coated, texture VDI 3400 ref.30 - RAL 9005 (Jet black)
12	Hook cap	1	04.0.10.02	Stainless steel AISI 430	Powder coated, texture VDI 3400 ref.30 - RAL 9005 (Jet black)
11	Bush	1	04.0.09.01	Stainless steel AISI 430	Powder coated, texture VDI 3400 ref.30 - RAL 9005 (Jet black)
10	Insert hinge part	1	04.0.08.14	Stainless steel AISI 304	-
9	Support tube D	1	04.0.08.13	Stainless steel AISI 430	Powder coated, texture VDI 3400 ref.30 - RAL 9005 (Jet black)
8	Wall support	1	04.0.08.12	Zamac3	Chromium Plated
7	ARM HOLDER	1	04.0.08.09	ZAMAC	CHROMIUM PLATED
6	CENTERPIECE B	1	04.0.08.08	POM GF20	ANTRACITE PANTONE 432C
5	Centerpiece cover	1	04.0.08.07	Stainless steel AISI 430	Powder coated, texture VDI 3400 ref.30 - RAL 9005 (Jet black)
4	Sleeve B	2	04.0.08.06	PA 6 - Black RAL 9005, semi gloss	Technical Smooth
3	Arm	1	04.0.08.02	Stainless steel AISI 430	Powder coated, texture VDI 3400 ref.30 - RAL 9005 (Jet black)
2	Hinge support	1	04.0.08.01	Stainless steel AISI 430	Powder coated, texture VDI 3400 ref.30 - RAL 9005 (Jet black)
1	Cover	1	04.0.01.03	Stainless steel AISI 430	Powder coated, texture VDI 3400 ref.30 - RAL 9005 (Jet black)



GENERAL DIMENSION UNLESS OTHERWISE STATED ACCORDING TO DIN 7168		DESCRIPTION:	
CLASS	NOMINAL MEASUREMENTS (mm)	Toilet roll holder	
0.5 UNTIL 3	±0.1	VERSION NAME: black	
3 UNTIL 6	±0.1		
6 UNTIL 30	±0.2	ARTICLE NR.: 3090.3.07.46	
30 UNTIL 120	±0.3		
120 UNTIL 400	±0.5	PROJECT: 040-Boston	
400 UNTIL 1000	±0.8		
1000 UNTIL 2000	±1.2	DRAWING NR.: 040.09.00.TB	
2000 UNTIL 4000	±2		
PROJECTION:		EAN: 4008913090428	
GENERAL ANGLE: ±0.5°		PROJECT: 040-Boston	
DRAWN BY: MS		DRAWING NR.: 040.09.00.TB	
CHECKED BY:		TIGER	
DATE: 23-8-2006		Tiger Products b.v.	
STATUS: Production		Winde 3, PO box 11	
PRINT DATE: 3-10-2024		5660 AA Geldrop	
INT.REV.NR.: 02		The Netherlands	
GENERAL ROUGHNESS: 0.8			
UNITS: mm			
SCALE: 1:2			
FORMAT: A2			
SHEET: 3/3			

The reproduction, distribution and utilization of this document as well as the communication of its contents to others without express authorization is prohibited. Offenders will be held liable for the payment of damages. All rights reserved in the event of the grant of a patent, utility model or design. Copyright reserved.