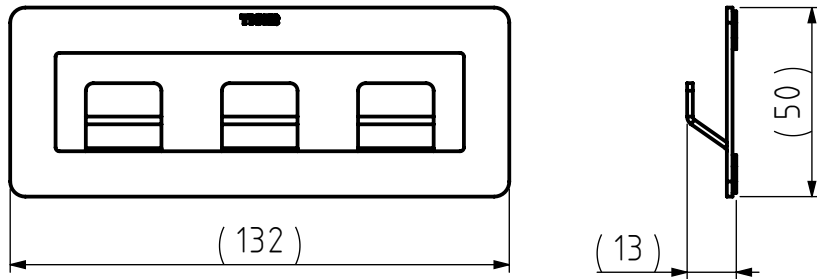
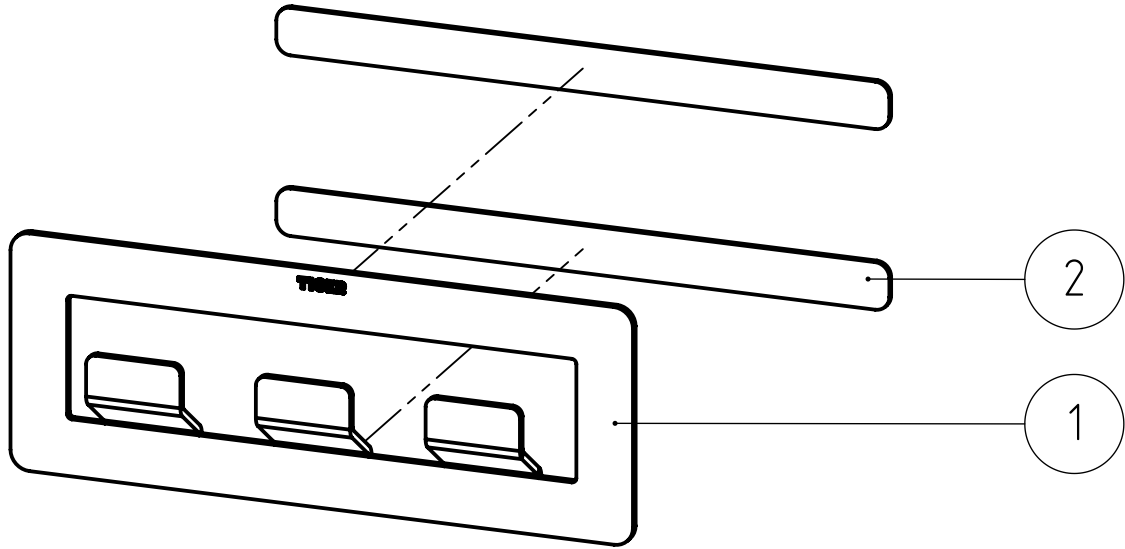


The reproduction, distribution and utilization of this document as well as the communication of its contents to others without express authorization is prohibited. Offenders will be held liable for the payment of damages. All rights reserved in the event of the grant of a patent, utility model or design. Copyright reserved.

1	2	3	4	
REVISIONS				
REV.	DESCRIPTION	DATE	BY	APPROVED
-	See 225.10.00.TS	-	-	-

# FINAL DRAWING



2	Adhesive foam	2	225.10.02	3M / NO.1600 / Foam tape 1,0 mm	-
1	Open rack	1	225.10.01	Stainless steel 430	Powder coated - RAL 9003 (Signal white), Matt
NR.	DESCRIPTION	QTY.	DRAW.NR.	MATERIAL	TREATMENT

GENERAL DIMENSION UNLESS OTHERWISE STATED ACCORDING TO DIN 7168				DESCRIPTION:						
CLASS	NOMINAL MEASUREMENTS (mm)								Open rack	
	0.5 UNTIL 3	3 UNTIL 6	6 UNTIL 30	30 UNTIL 120	120 UNTIL 400	400 UNTIL 1000	1000 UNTIL 2000	2000 UNTIL 4000		
M (MIDDLE)	±0.1	±0.1	±0.2	±0.3	±0.5	±0.8	±1.2	±2		
PROJECTION:		GENERAL ANGLE:		EAN:		VERSION NAME:		ARTICLE NR.:		
		±0,5°		4008911117066		white matt		11176.3.01.42		
DRAWN BY:		MS		GENERAL ROUGHNESS:		PROJECT:		Tiger Products b.v. Winde 3, PO box 11 5660 AA Geldrop The Netherlands		
CHECKED BY:		FVP		0,8		225-hooks 2016				
DATE:		19-9-2016		UNITS:		DRAWING NR.:				
STATUS:		Production		mm		225.10.00.TWM				
PRINT DATE:		8-4-2026		SCALE:						
INT.REV.NR.:		01		FORMAT:						
				SHEET:						
				2/2						