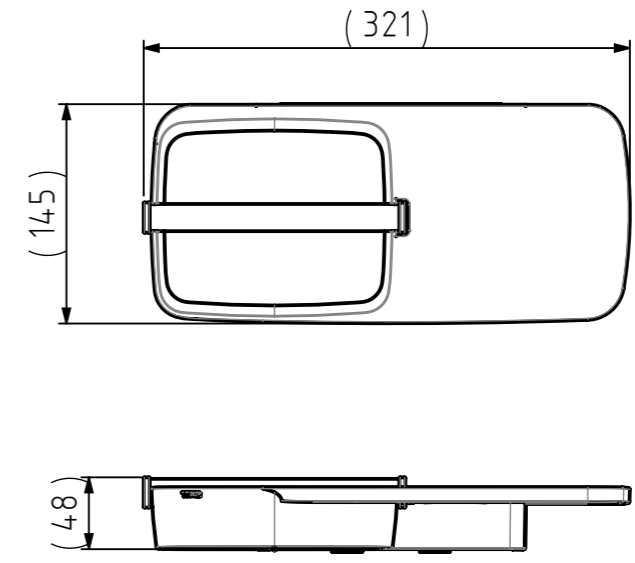
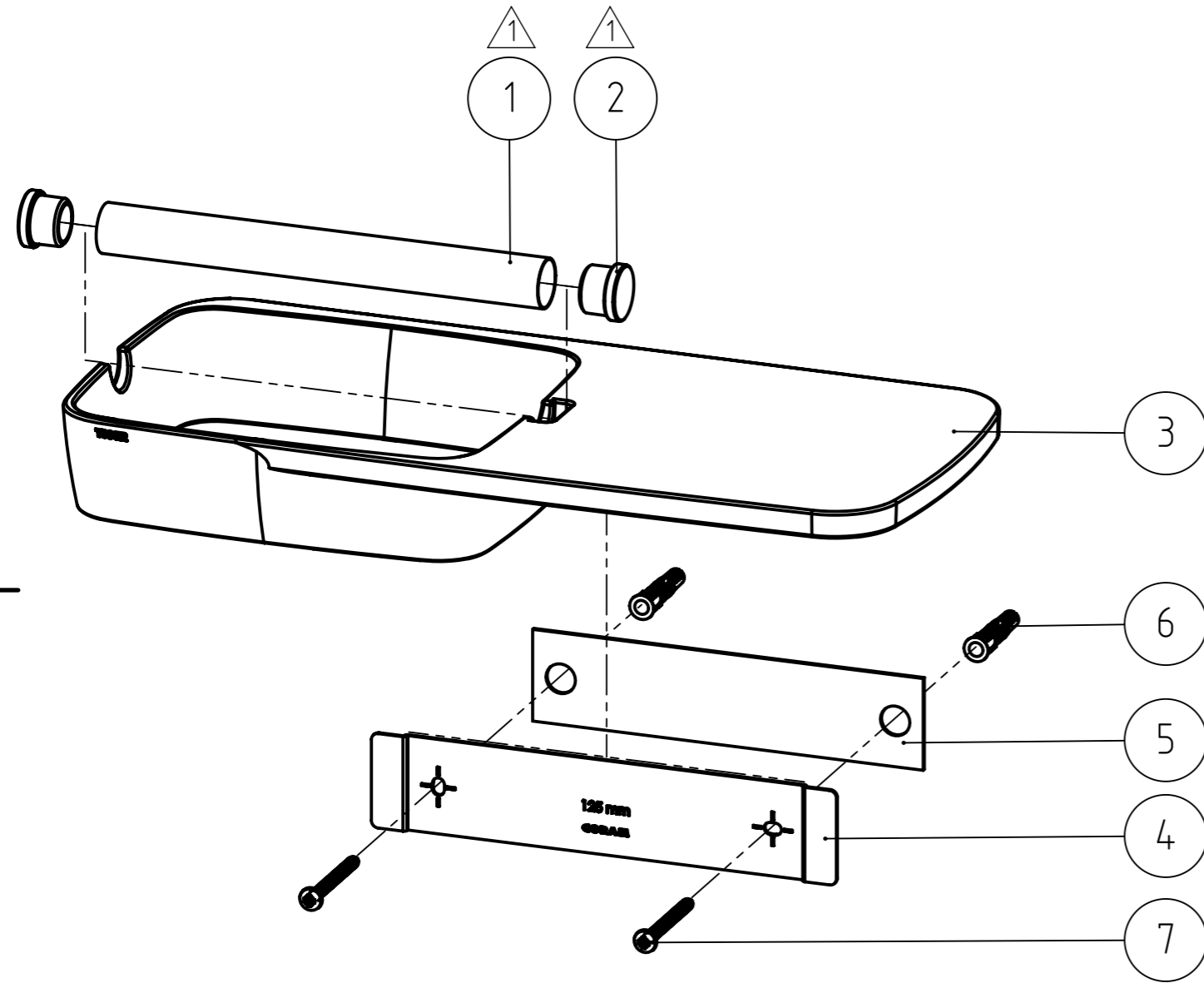


FINAL DRAWING



REVISIONS				
REV.	DESCRIPTION	DATE	BY	APPROVED
-	See TB	-	-	-

Remarks:
 - Screws and plugs added to fixation set.
 - Tape pad attached to wall plate.

NR.	DESCRIPTION	QTY.	DRAW.NR.	MATERIAL	TREATMENT
7	Cross recessed pan head tapping screw st4,2x45mm	2	DIN.7981 CZ	Stainless steel A2	-
6	Fischer UX6 plug	2	FIX.0028	-	-
5	Tape pad	1	264.02.03	3M VHB tape 4945 white 1,1 mm	-
4	Wall plate	1	264.02.02	Stainless steel AISI 304	-
3	Toilet roll holder with shelf	1	264.02.01	ABS - UV stabilized - White RAL 9003, matt	Texture VDI 3400 ref.27 (light)
2	End piece	2	264.01.04	Zamac3	Powder coated, texture VDI 3400 ref.27 - Pantone Cool grey 6U (Light grey)
1	Tube	1	264.01.03	Stainless steel AISI 430	Powder coated, texture VDI 3400 ref.27 - Pantone Cool grey 6U (Light grey)

GENERAL DIMENSION UNLESS OTHERWISE STATED ACCORDING TO DIN 7168								DESCRIPTION:	
CLASS	NOMINAL MEASUREMENTS (mm)							Toilet roll holder with shelf	
	0.5 UNTIL 3	3 UNTIL 6	6 UNTIL 30	30 UNTIL 120	120 UNTIL 400	400 UNTIL 1000	1000 UNTIL 2000		
M (MIDDLE)	±0.1	±0.1	±0.2	±0.3	±0.5	±0.8	±1.2	±2	
PROJECTION:	GENERAL ANGLE:			EAN:		VERSION NAME:		ARTICLE NR.:	
	±0,5°			4008911329025		white		1329120146	
DRAWN BY:	MS		GENERAL ROUGHNESS:		0,8/✓		PROJECT:		TIGER Tiger Nederland b.v. Winde 3, PO box 11 5660 AA Geldrop The Netherlands
CHECKED BY:							264-Tess		
DATE:	10-5-2019		UNITS:		mm		DRAWING NR.:		
STATUS:	Production		SCALE:		1:5		264.02.00.TW		
PRINT DATE:	8-4-2026		FORMAT:		A3				
INT.REV.NR.:	03		SHEET:		2/2				

The reproduction, distribution and utilization of this document as well as the communication of its contents to others without express authorization is prohibited. Offenders will be held liable for the payment of damages. All rights reserved in the event of a patent, utility model or design. Copyright reserved.