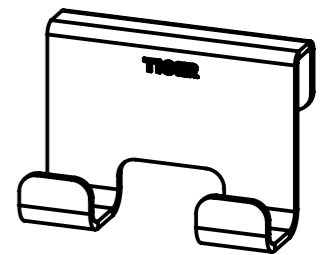
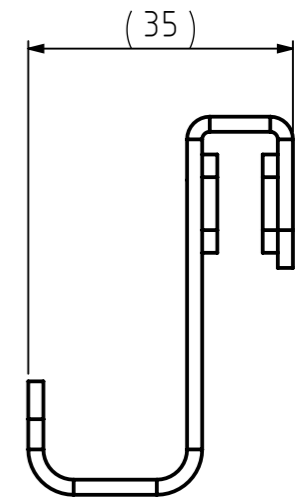
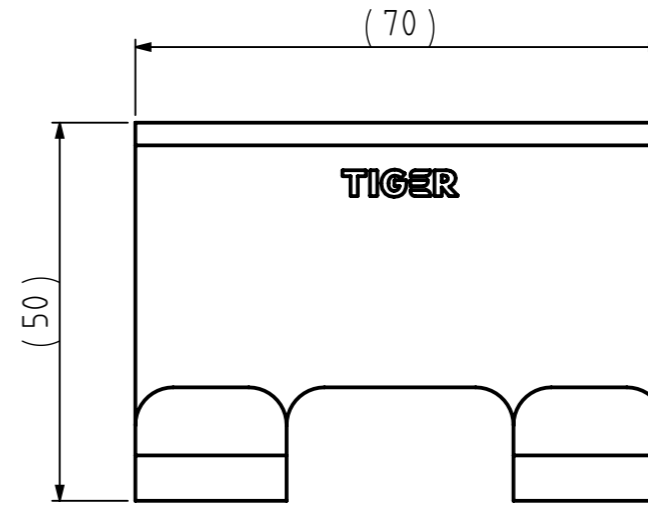
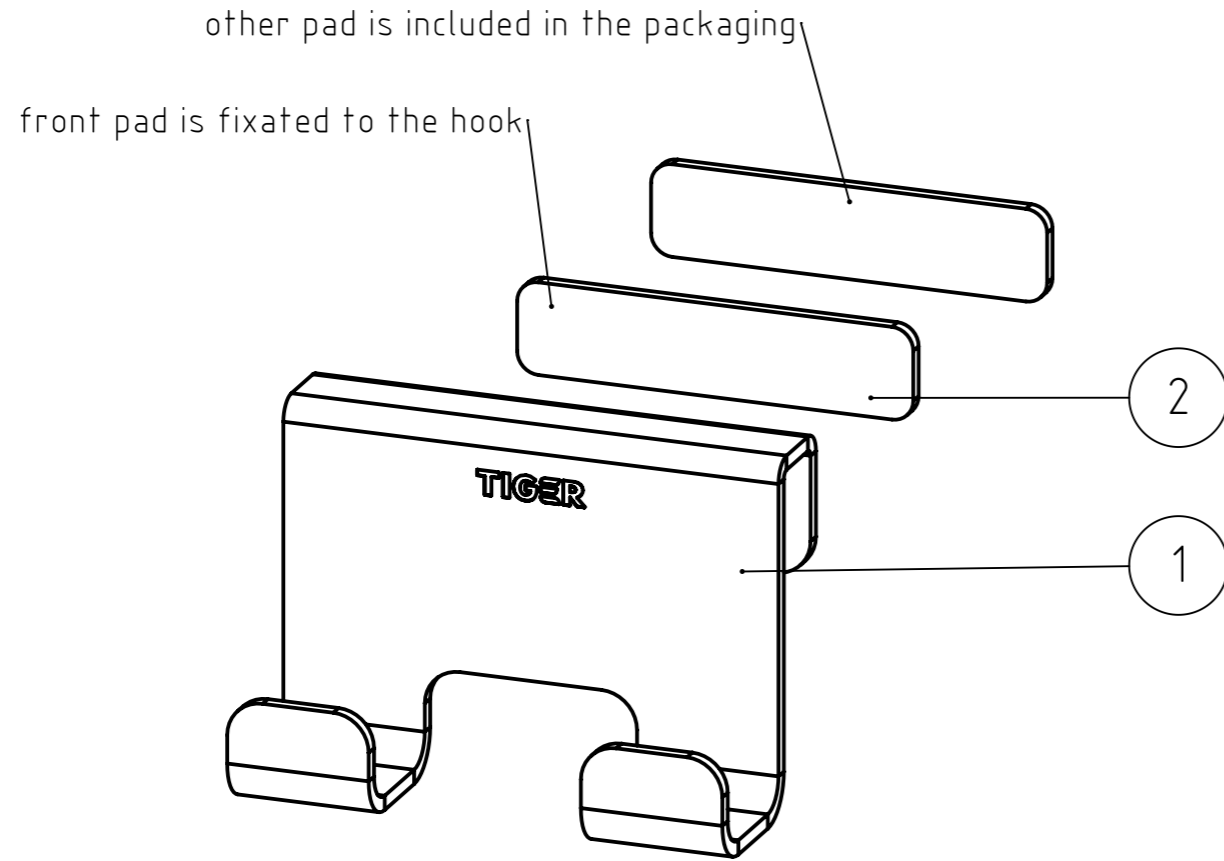


# FINAL DRAWING



2	Protection pad	2	207.09.02	Silicone rubber, Grey, 60 Shore A, with 3M tape	One side adhesive	
1	Glass hook	1	207.09.01	Stainless steel 430	Chromium Plated	
NR.	DESCRIPTION	QTY.	DRAW.NR.	MATERIAL	TREATMENT	
GENERAL DIMENSION UNLESS OTHERWISE STATED ACCORDING TO DIN 7168			DESCRIPTION:			
CLASS	NOMINAL MEASUREMENTS (mm)					
	0.5 UNTIL 3	3 UNTIL 6	6 UNTIL 30	30 UNTIL 120	120 UNTIL 400	400 UNTIL 1000
M (MIDDLE)	±0.1	±0.1	±0.2	±0.3	±0.5	±0.8
PROJECTION:	GENERAL ANGLE:		EAN:			VERSION NAME:
	±0,5°		4 008911401042			chrome
DRAWN BY:	FVP	GENERAL ROUGHNESS:		0,8		PROJECT:
CHECKED BY:	MS					207-Caddy
DATE:	3-4-2020	UNITS:		mm		DRAWING NR:
STATUS:	Production	SCALE:		1:1		207.09.00.TC
PRINT DATE:	8-4-2025	FORMAT:		A3		<b>TIGER</b> Tiger Nederland b.v. Winde 3, PO box 11 5660 AA Geldrop The Netherlands
INT.REV.NR.:	00	SHEET:		2/3		
			ARTICLE NR.:			1401230346

The reproduction, distribution and utilization of this document as well as the communication of its contents to others without express authorization is prohibited. Offenders will be held liable for the payment of damages. All rights reserved in the event of the grant of a patent, utility model or design. Copyright reserved.