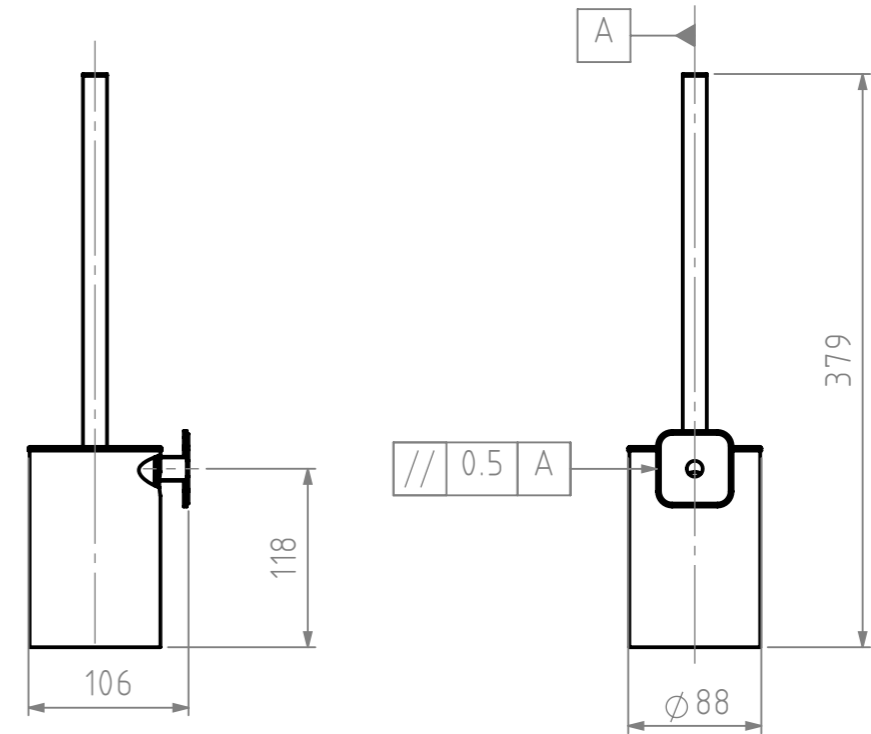
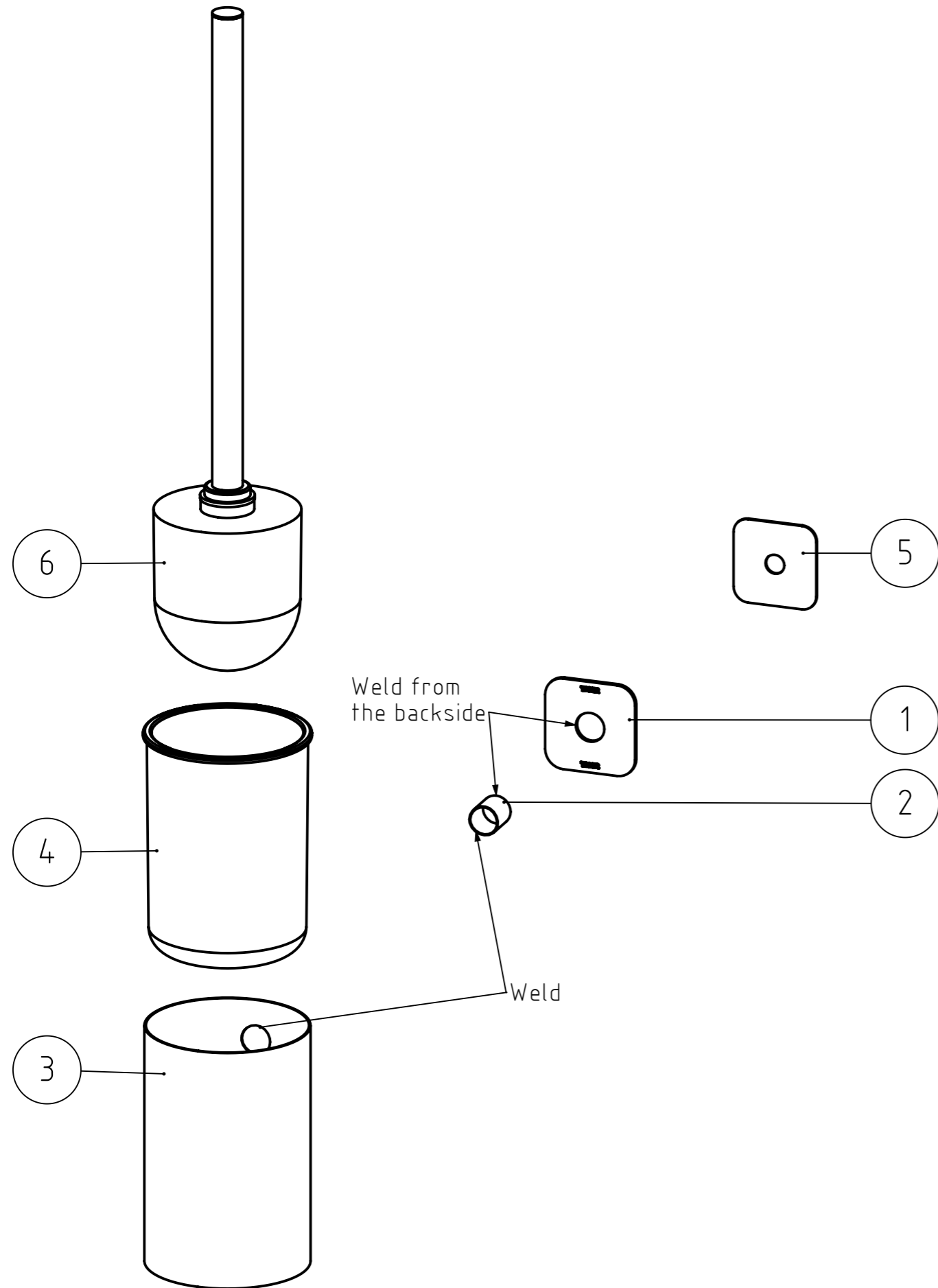


FINAL DRAWING

REVISIONS

REV.	DESCRIPTION	DATE	BY	APPROVED
-	See 205.17.00.TS	-	-	-



NR.	DESCRIPTION	QTY.	DRAW.NR.	MATERIAL	TREATMENT
6	Toilet brush subassy - Flat head, black	1	BUY.05.00	Various	Powdercoated, Black RAL 9005
5	Tape pad big	1	205.04.08	3M Tape VHB GPH110 1.10mm	-
4	Inner brush pot	1	205.17.02	PP - Black RAL 9005, semi gloss	texture VDI 3400 ref.30 (standard)
3	Toilet brush holder (no logo)	1	205.17.01	Stainless steel AISI 430	Powder coated, texture VDI 3400 ref.30 - RAL 9005 (Jet black)
2	Tube	1	205.03.03	Stainless steel AISI 430	Powder coated, texture VDI 3400 ref.30 - RAL 9005 (Jet black)
1	Wall plate 2	1	205.09.04	Stainless steel 304	Polished - High gloss

GENERAL DIMENSION UNLESS OTHERWISE STATED ACCORDING TO DIN 7168		DESCRIPTION:	
CLASS		Toilet brush and holder	
NOMINAL MEASUREMENTS (mm)		ARTICLE NR. (packed product):	
0.5 UNTIL 3	3 UNTIL 6	6 UNTIL 30	30 UNTIL 120
120 UNTIL 400	400 UNTIL 1000	1000 UNTIL 2000	2000 UNTIL 4000
M (MIDDLE)	±0.1	±0.1	±0.2
	±0.2	±0.3	±0.5
	±0.8	±1.2	±2
PROJECTION:	GENERAL ANGLE:	VERSION NAME:	ARTICLE NR. (packed product):
	±0,5°	black	1314830746
			(for packaging information see GDS)
DRAWN BY:	MS	GENERAL ROUGHNESS:	PROJECT:
CHECKED BY:		0,8	205-Colar
DATE:	18-1-2016	UNITS:	DRAWING NR.:
STATUS:	Production	mm	205.17.00.TB
PRINT DATE:	14-4-2026	SCALE:	 Tiger Products b.v. Winde 3, PO box 11 5660 AA Geldrop The Netherlands
INT.REV.NR.:	6	1:5	
		FORMAT:	
		A3	
		SHEET:	
		3/3	

The reproduction, distribution and utilization of this document as well as the communication of its contents to others without express authorization is prohibited. Offenders will be held liable for the payment of damages. All rights reserved in the event of the grant of a patent, utility model or design. Copyright reserved.