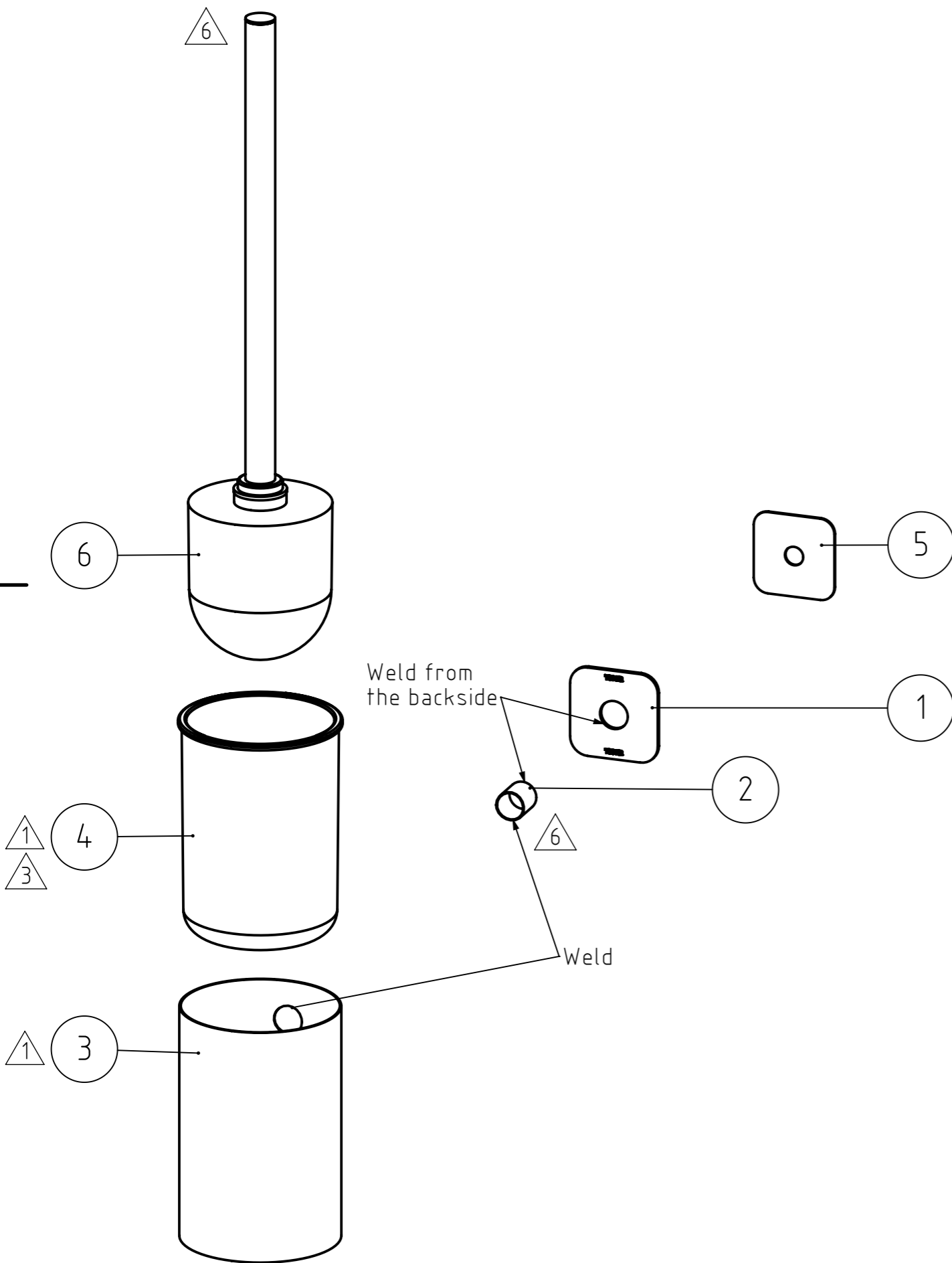
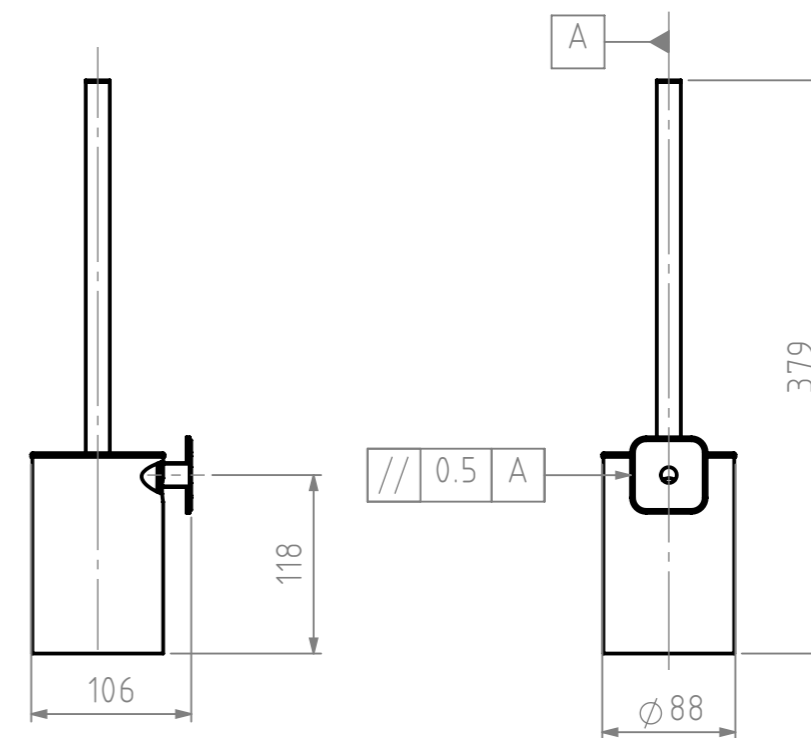


# FINAL DRAWING



## REVISIONS

REV.	DESCRIPTION	DATE	BY	APPROVED
1	-003.13.02 Plastic brush pot has been replaced by 205.17.02 Inner brush pot - Height of 205.17.01 Toilet brush holder has changed	8-4-2016	MS	FVP
3	Inner diameter of brush pot changed.	28-9-2016	MS	WW
5	Black version added.	27-7-2021	MS	FvP
6	Changed to welded wall plate and welded end cover for handle	22-10-2024		



NR.	DESCRIPTION	QTY.	DRAW.NR.	MATERIAL	TREATMENT
6	Toilet brush subassy - Flat head, stainless steel	1	BUY.05.00		Brushed
5	Tape pad big	1	205.04.08	3M Tape VHB GPH110 1.10mm	-
4	Inner brush pot	1	205.17.02	PP - Black RAL 9005, semi gloss	Texture VDI 3400 ref.30 (standard)
3	Toilet brush holder (no logo)	1	205.17.01	Stainless steel 304	Brushed
2	Tube	1	205.03.03	Stainless steel 304	Brushed
1	Wall plate 2	1	205.09.04	Stainless steel 304	Polished - High gloss

GENERAL DIMENSION UNLESS OTHERWISE STATED ACCORDING TO DIN 7168							DESCRIPTION:	
CLASS	NOMINAL MEASUREMENTS (mm)						Toilet brush and holder	
	0.5 UNTIL 3	3 UNTIL 6	6 UNTIL 30	30 UNTIL 120	120 UNTIL 400	400 UNTIL 1000		
M (MIDDLE)	±0.1	±0.1	±0.2	±0.3	±0.5	±0.8	±1.2	±2
PROJECTION:	GENERAL ANGLE:		VERSION NAME:				ARTICLE NR. (packed product):	
	±0,5°		stainless steel				1314830946 (for packaging information see GDS)	
DRAWN BY:	MS		GENERAL ROUGHNESS:		0,8		PROJECT:	
CHECKED BY:							205-Colar	
DATE:	18-1-2016		UNITS:		mm		DRAWING NR.:	
STATUS:	Production		SCALE:		1:5		205.17.00.TS	
PRINT DATE:	14-4-2026		FORMAT:		A3		<b>TIGER</b> Tiger Products b.v. Winde 3, PO box 11 5660 AA Geldrop The Netherlands	
INT.REV.NR.:	6		SHEET:		1/3			

The reproduction, distribution and utilization of this document as well as the communication of its contents to others without express authorization is prohibited. Offenders will be held liable for the payment of damages. All rights reserved in the event of the grant of a patent, utility model or design. Copyright reserved.