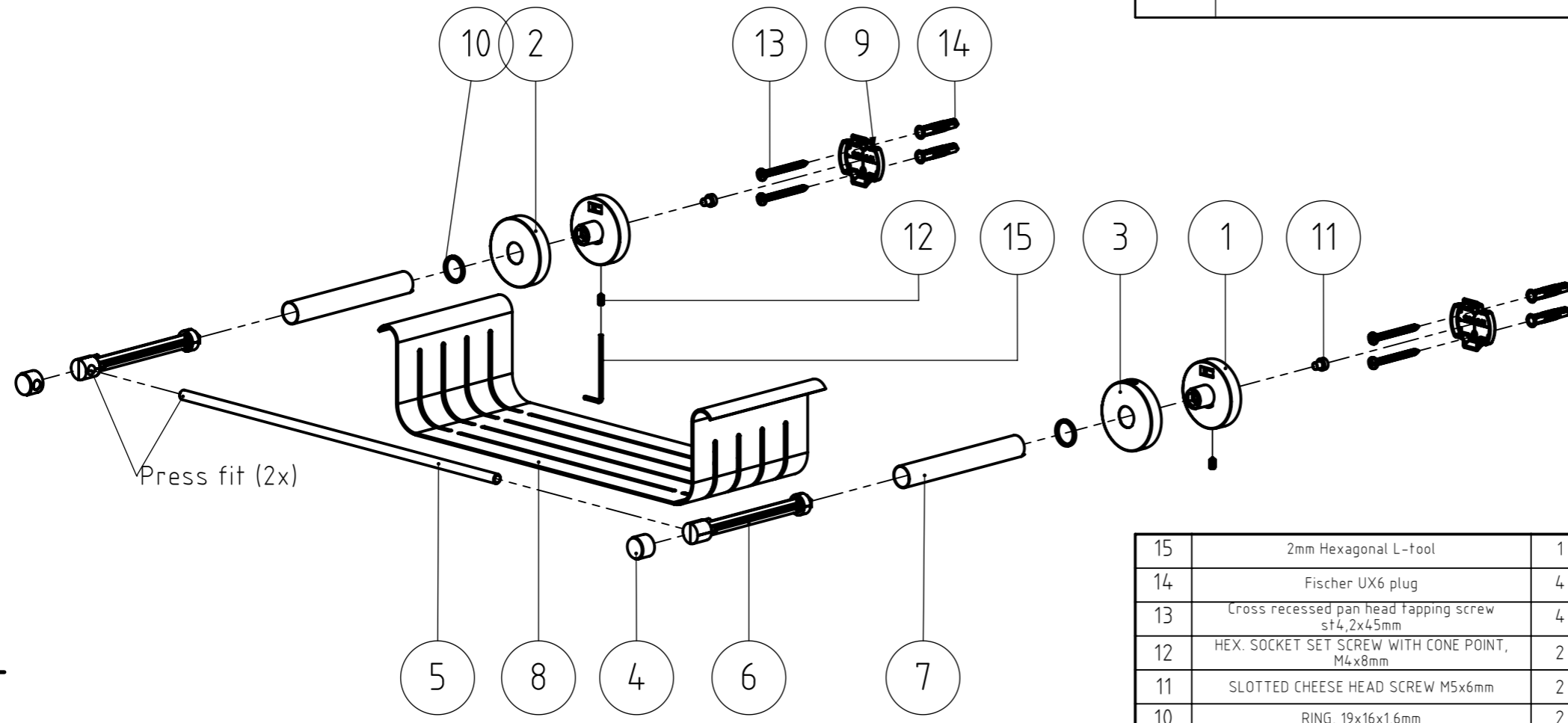
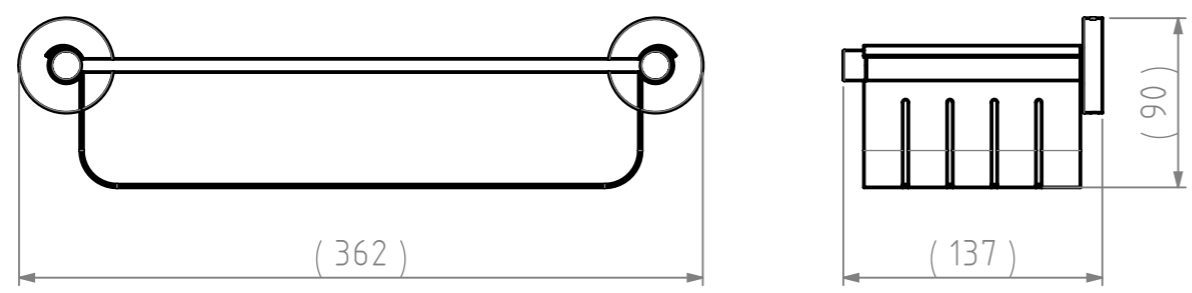


# FINAL DRAWING

REVISIONS				
REV.	DESCRIPTION	DATE	BY	APPROVED
-	See 040.34.00.TC	-	-	-



NR.	DESCRIPTION	QTY.	DRAW.NR.	MATERIAL	TREATMENT
15	2mm Hexagonal L-tool	1	DIN.911	Tool steel	-
14	Fischer UX6 plug	4	FIX.0028	-	-
13	Cross recessed pan head tapping screw st4,2x45mm	4	DIN.7981 CZ	Stainless steel A2	-
12	HEX. SOCKET SET SCREW WITH CONE POINT, M4x8mm	2	DIN.0914	Stainless steel A2	-
11	SLOTTED CHEESE HEAD SCREW M5x6mm	2	ISO 1207	STAINLESS STEEL A2	-
10	RING, 19x16x1,6mm	2	BUY-IN	PA 6 - Black RAL 9005, semi gloss	Technical Smooth
9	Wallplate Type 1	2	226.03.02	Stainless steel AISI 304	Sand blasted
8	Shelf bottle holder	1	040.34.04	Stainless steel AISI 304	Brushed
7	Support tube M	2	040.34.03	Stainless steel AISI 304	Brushed
6	Basket bar holder	2	040.34.02	Zamac3	Chromium Plated
5	Front bar A	1	040.34.01	Stainless steel AISI 304	Brushed
4	Hook cap	2	040.10.02	Stainless steel AISI 304	Brushed
3	Cover	1	040.01.03	Stainless steel AISI 304	Brushed
2	Cover (no logo)	1	040.01.03	Stainless steel AISI 304	Brushed
1	Wall support	2	040.01.01	Zamac3	Chromium Plated



GENERAL DIMENSION UNLESS OTHERWISE STATED ACCORDING TO DIN 7168		DESCRIPTION:	
CLASS	NOMINAL MEASUREMENTS (mm)	Bottle basket	
	0.5 UNTIL 3	3 UNTIL 6	6 UNTIL 30
		30 UNTIL 120	120 UNTIL 400
		400 UNTIL 1000	1000 UNTIL 2000
		2000 UNTIL 4000	
M (MIDDLE)	±0.1	±0.2	±0.3
PROJECTION:	GENERAL ANGLE: ±0,5°		EAN: 4008913035412
DRAWN BY:	MS	GENERAL ROUGHNESS:	0,8
CHECKED BY:		UNITS:	mm
DATE:	10-6-2005	SCALE:	1:4
STATUS:	Production	FORMAT:	A3
PRINT DATE:	3-10-2024	SHEET:	2/3
INT.REV.NR.:	03	VERSION NAME: stainless steel	
		ARTICLE NR.: 3035.3.09.46	
		PROJECT: 054-Boston II	
		DRAWING NR.: 040.34.00.TS	
		<b>TIGER</b> Tiger Products b.v. Winde 3, PO box 11 5660 AA Geldrop The Netherlands	

The reproduction, distribution and utilization of this document as well as the communication of its contents to others without express authorization is prohibited. Offenders will be held liable for the payment of damages. All rights reserved in the event of the grant of a patent, utility model or design. Copyright reserved.