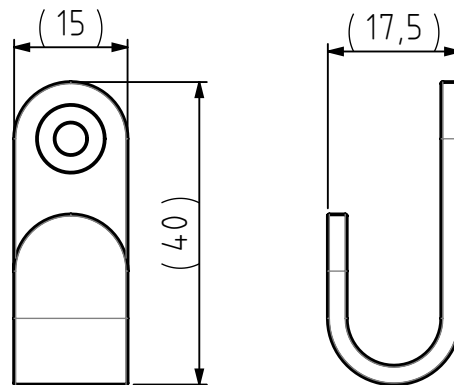
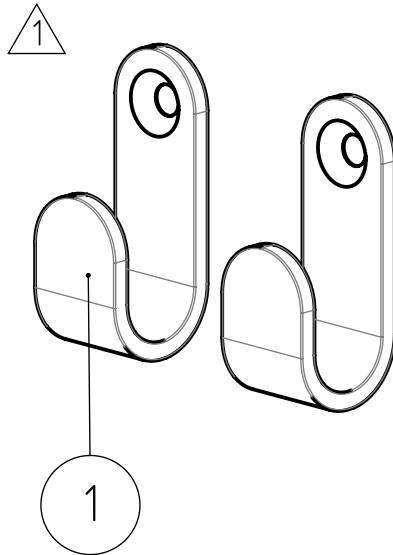


The reproduction, distribution and utilization of this document as well as the communication of its contents to others without express authorization is prohibited. Offenders will be held liable for the payment of damages. All rights reserved in the event of the grant of a patent, utility model or design. Copyright reserved.

1	2	3	4
REVISIONS			
REV.	DESCRIPTION	DATE	BY
1	New version (white) added.	24-1-2017	MS

# FINAL DRAWING



1	Hook Simple deluxe	2	178.04.01	Stainless steel 430	Brushed
ART.NR.	DESCRIPTION	QTY.	DRAW.NR.	MATERIAL	TREATMENT
GENERAL DIMENSION UNLESS OTHERWISE STATED ACCORDING TO DIN 7168			DESCRIPTION:		
CLASS	NOMINAL MEASUREMENTS (mm)				
	0.5 UNTIL 3	3 UNTIL 6	6 UNTIL 30	30 UNTIL 120	120 UNTIL 400
	1000 UNTIL 2000	2000 UNTIL 4000			
M (MIDDLE)	±0.1	±0.1	±0.2	±0.3	±0.5
			±0.8	±1.2	±2
PROJECTION: 		GENERAL ANGLE: ±0,5°		EAN: 4008911102000	
DRAWN BY: MS		GENERAL ROUGHNESS: 0,8		VERSION NAME: stainless steel	
CHECKED BY: w.w.				PROJECT: 178-Hooks	
DATE: 11-8-2012		UNITS: mm		ARTICLE NR.: 11020.3.09.41	
STATUS: Production		SCALE: 1:1		<div style="text-align: center;"><b>TIGER</b></div> Tiger Products b.v. Winde 3, PO box 11 5660 AA Geldrop The Netherlands	
PRINT DATE: 7-4-2026		FORMAT: A4			
INT.REV.NR.: 1		SHEET: 1/2			
				178.05.00.TS	