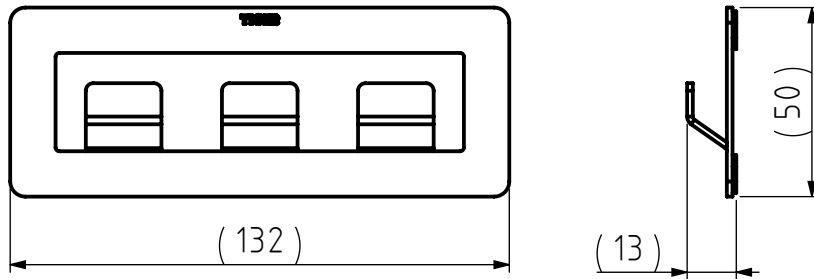
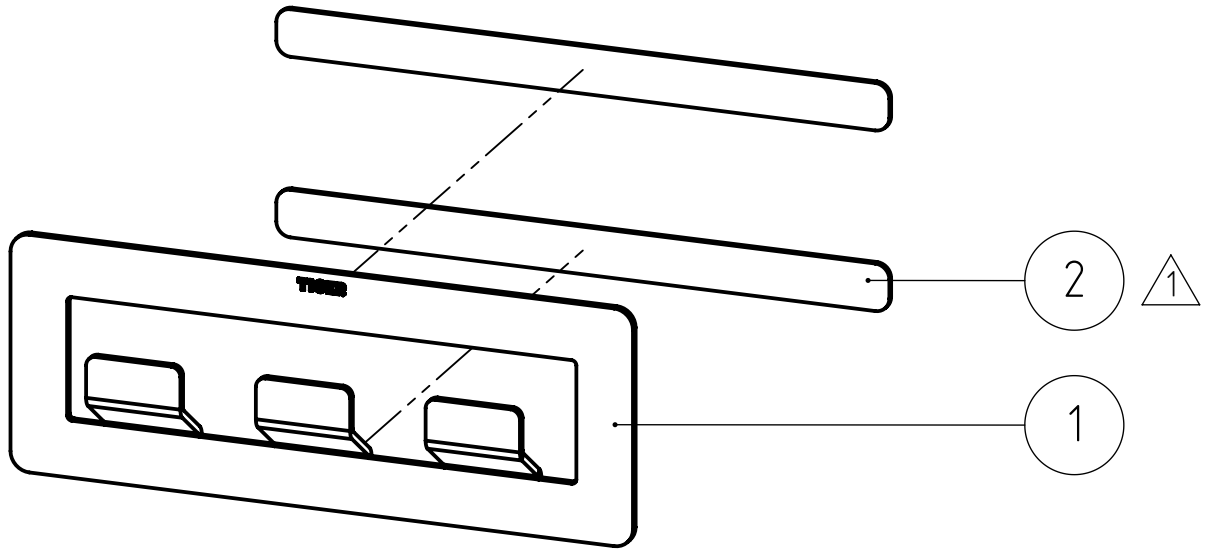


The reproduction, distribution and utilization of this document as well as the communication of its contents to others without express authorization is prohibited. Offenders will be held liable for the payment of damages. All rights reserved in the event of the grant of a patent, utility model or design. Copyright reserved.

1	2	3	4	
REVISIONS				
REV.	DESCRIPTION	DATE	BY	APPROVED
1	Radius of tape pad changed.	14-4-2017	MS	MS

# FINAL DRAWING



2	Adhesive foam	2	225.10.02	3M / NO.1600 / Foam tape 1,0 mm	-
1	Open rack	1	225.10.01	Stainless steel 304	Brushed
NR.	DESCRIPTION	QTY.	DRAW.NR.	MATERIAL	TREATMENT

GENERAL DIMENSION UNLESS OTHERWISE STATED ACCORDING TO DIN 7168								DESCRIPTION:		
CLASS	NOMINAL MEASUREMENTS (mm)							Open rack		
	0.5 UNTIL 3	3 UNTIL 6	6 UNTIL 30	30 UNTIL 120	120 UNTIL 400	400 UNTIL 1000	1000 UNTIL 2000			
M (MIDDLE)	±0.1	±0.1	±0.2	±0.3	±0.5	±0.8	±1.2	±2		

PROJECTION:	GENERAL ANGLE:	EAN:	VERSION NAME:	ARTICLE NR.:
	±0,5°	4008911117059	stainless steel	11176.3.09.42
DRAWN BY:	MS	GENERAL ROUGHNESS:	PROJECT:	 Tiger Products b.v. Winde 3, PO box 11 5660 AA Geldrop The Netherlands
CHECKED BY:	FVP	0,8	225-hooks 2016	
DATE:	19-9-2016	UNITS:	DRAWING NR.:	
STATUS:	Production	mm	225.10.00.TS	
PRINT DATE:	8-4-2026	SCALE:		
INT.REV.NR.:	01	FORMAT:		
		SHEET:		
		1/2		