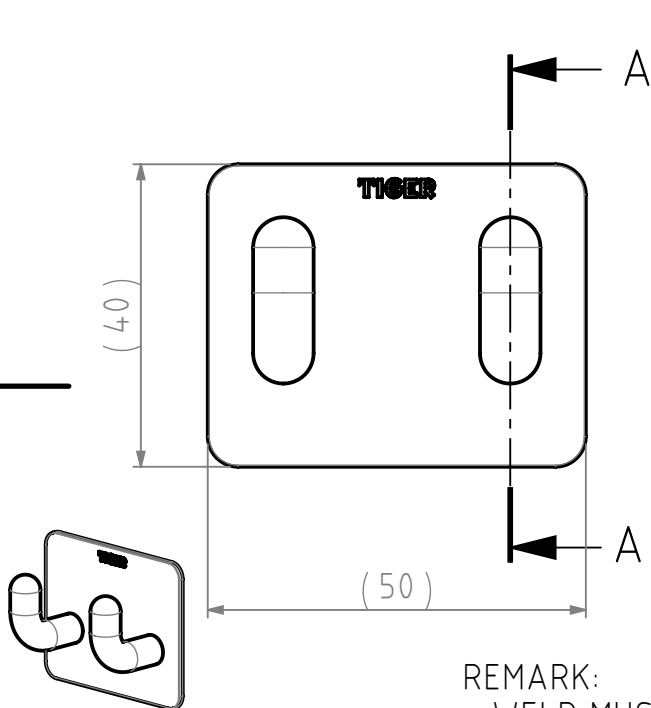
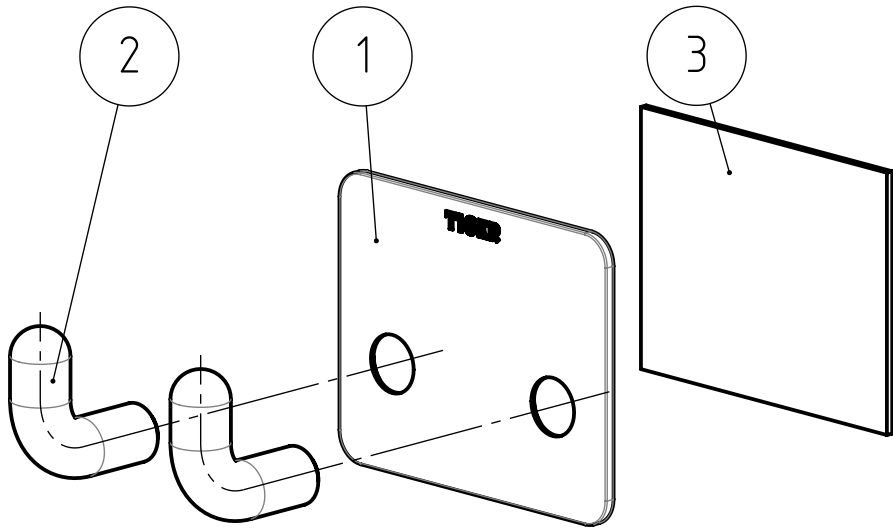
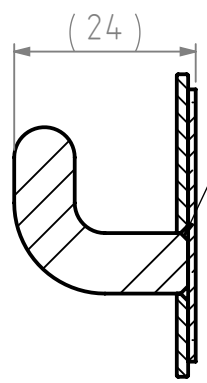


FINAL DRAWING



Connect by riveting (2x)



SECTION A-A

REMARK:
- WELD MUST BE GRINDED UNTIL THE BACKSIDE IS FLAT

ART.NR.	DESCRIPTION	QTY.	DRAW.NR.	MATERIAL	TREATMENT
3	2 SIDED ADHESIVE TAPE	1	178.15.02	3M / NO.1600 / FOAM TAPE 1.0 MM	-
2	Hook Pinky	2	178.06.02	Stainless steel 430	Brushed
1	WALL PLATE	1	178.15.01	STAINLESS STEEL 430	Brushed

GENERAL DIMENSION UNLESS OTHERWISE STATED ACCORDING TO DIN 7168								DESCRIPTION:		
CLASS	NOMINAL MEASUREMENTS (mm)								HOOK PINKY DOUBLE	
	0.5 UNTIL 3	3 UNTIL 6	6 UNTIL 30	30 UNTIL 120	120 UNTIL 400	400 UNTIL 1000	1000 UNTIL 2000	2000 UNTIL 4000		
M (MIDDLE)	±0.1	±0.1	±0.2	±0.3	±0.5	±0.8	±1.2	±2		

PROJECTION:	GENERAL ANGLE:	VERSION NAME:	ARTICLE NR. (packed product):
	±0,5°	Stainless steel	11132.3.09.41 (for packaging information see GDS)

DRAWN BY:	MS	GENERAL ROUGHNESS:	0,8	PROJECT:	178-HOOKS	 Tiger Products b.v. Winde 3, PO box 11 5660 AA Geldrop The Netherlands
CHECKED BY:	w.w.	UNITS:	mm	DRAWING NR.:	178.15.00.TS	
DATE:	14-8-2012	SCALE:	1:1			
STATUS:	Production	FORMAT:	A4			
PRINT DATE:	7-4-2026	SHEET:	1/1			
INT.REV.NR.:	0					

The reproduction, distribution and utilization of this document as well as the communication of its contents to others without express authorization is prohibited. Offenders will be held liable for the payment of damages. All rights reserved in the event of the grant of a patent, utility model or design. Copyright reserved.