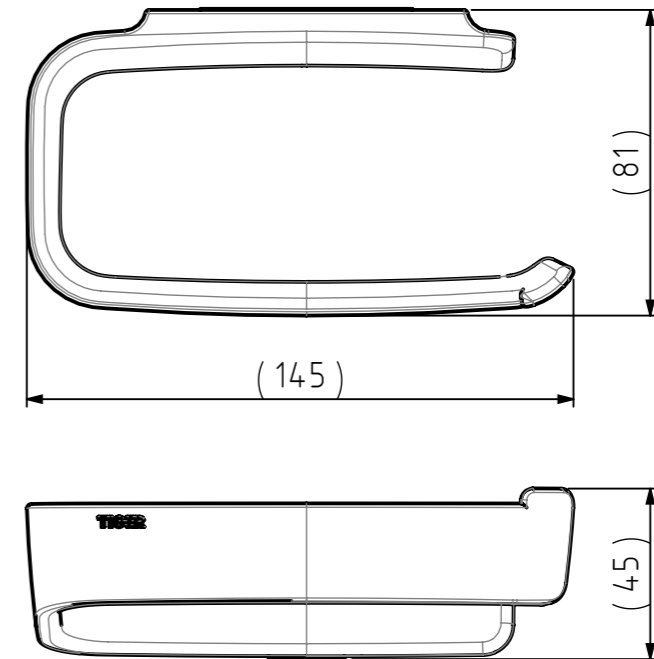
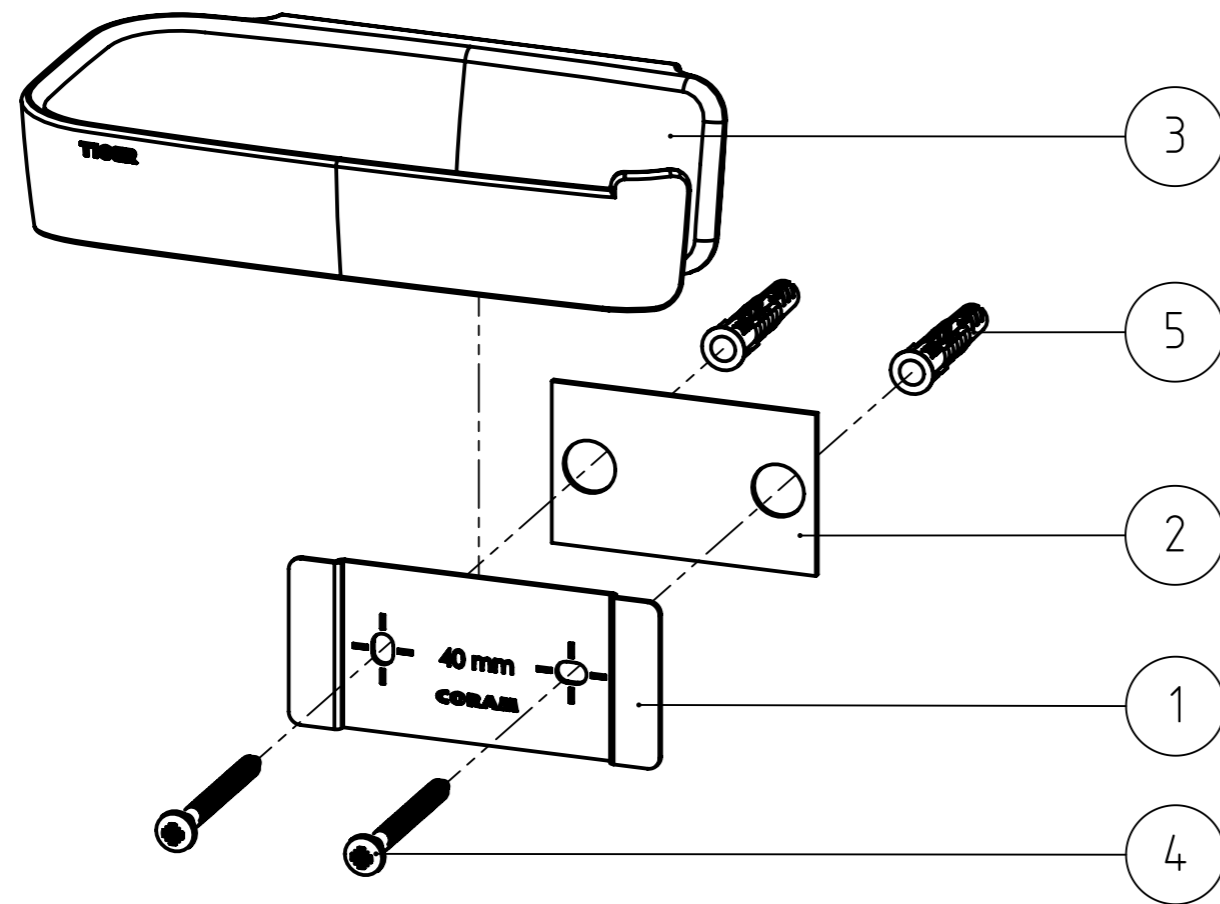


FINAL DRAWING



Remarks:

- Screws and plugs added to fixation set.
- Tape pad attached to wall plate.

NR.	DESCRIPTION	QTY.	DRAW.NR.	MATERIAL	TREATMENT
5	Fischer UX6 plug	2	FIX.0028	-	-
4	Cross recessed pan head tapping screw st4,2x4,5mm	2	DIN.7981 CZ	Stainless steel A2	-
3	Toilet roll holder small	1	264.03.01	ABS - UV stabilized - White RAL 9003, matt	Texture VDI 3400 ref.27 (light)
2	Tape pad	1	264.01.05	3M VHB tape 4945 white 1,1 mm	-
1	Wall plate	1	264.01.02	Stainless steel AISI 304	-

GENERAL DIMENSION UNLESS OTHERWISE STATED ACCORDING TO DIN 7168							DESCRIPTION:	
CLASS	NOMINAL MEASUREMENTS (mm)						Toilet roll holder small	
	0.5 UNTIL 3	3 UNTIL 6	6 UNTIL 30	30 UNTIL 120	120 UNTIL 400	400 UNTIL 1000		
M (MIDDLE)	±0.1	±0.1	±0.2	±0.3	±0.5	±0.8	±1.2	±2
PROJECTION:	GENERAL ANGLE:		EAN:		VERSION NAME:		ARTICLE NR.:	
	±0,5°		4008911329001		white		1329020146	
DRAWN BY:	MS		GENERAL ROUGHNESS:		PROJECT:		TIGER Tiger Nederland b.v. Winde 3, PO box 11 5660 AA Geldrop The Netherlands	
CHECKED BY:			0,8/✓		264-Tess			
DATE:	16-5-2019		UNITS:		DRAWING NR.:			
STATUS:	Production		mm		264.03.00.TW			
PRINT DATE:	8-4-2026		SCALE:					
INT.REV.NR.:	02		FORMAT:					
			SHEET:					
			2/2					