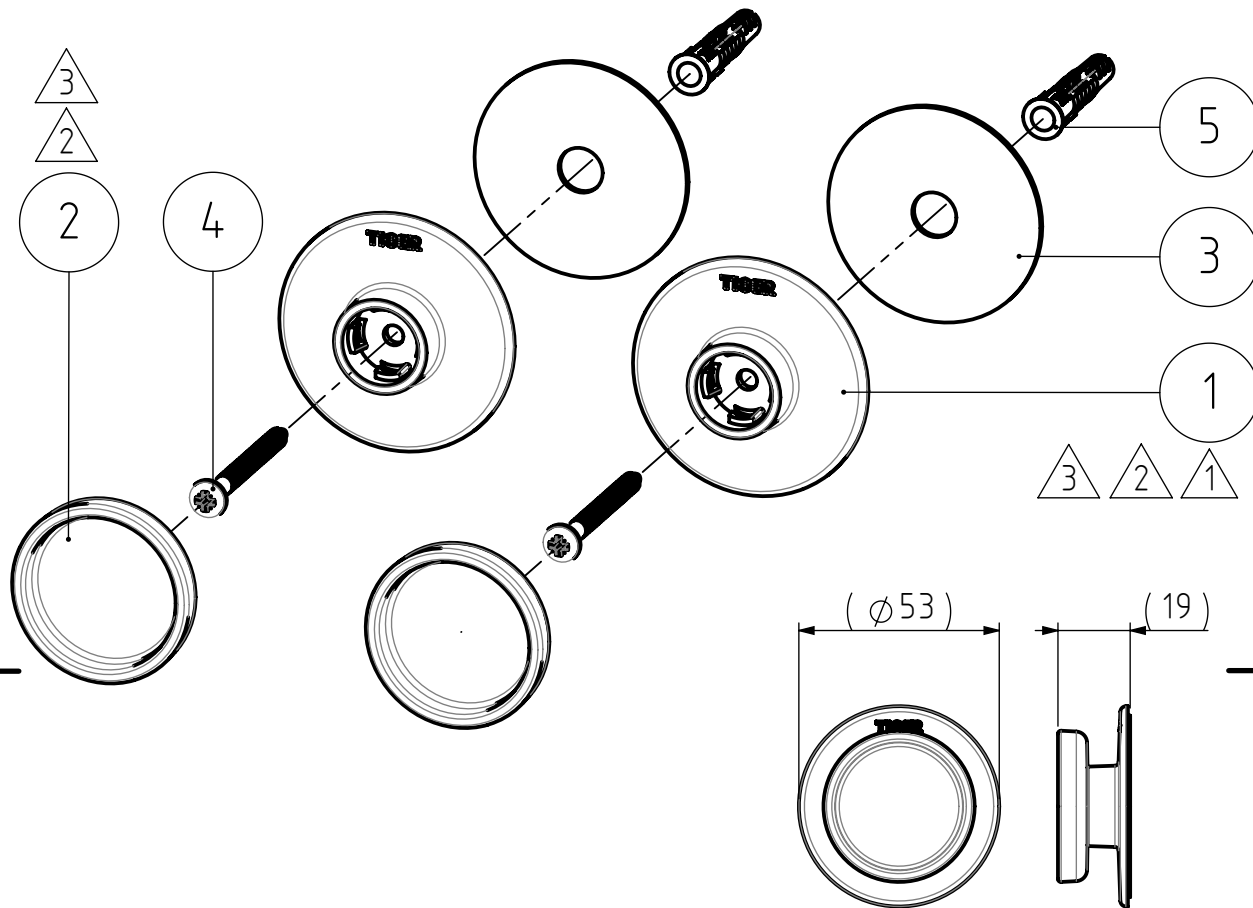


The reproduction, distribution and utilization of this document as well as the communication of its contents to others without express authorization is prohibited. Offenders will be held liable for the payment of damages. All rights reserved in the event of the grant of a patent, utility model or design. Copyright reserved.

REVISIONS				
REV.	DESCRIPTION	DATE	BY	APPROVED
1	Tiger logo added to '264.09.01 Hook small back'.	17-2-2020	MS	-
2	Colour of parts changed for Black version.	15-10-2020	MS	TvD
3	Colour of parts changed for Black version to RAL 9005.	30-11-2020	MS	MP

FINAL DRAWING



5	Fischer UX6 plug	2	FIX.0028	-	-
4	Cross recessed pan head tapping screw st4,2x45mm	2	DIN.7981 CZ	Stainless steel A2	-
3	Tape pad	2	264.09.03	3M VHB tape 4945 white 1,1 mm	-
2	Hook small front	2	264.09.02	ABS - Black RAL 9005, Matt	Texture VDI 3400 ref.27 (light)
1	Hook small back	2	264.09.01	ABS - Black RAL 9005, Matt	Texture VDI 3400 ref.27 (light)
NR.	DESCRIPTION	QTY.	DRAW.NR.	MATERIAL	TREATMENT

GENERAL DIMENSION UNLESS OTHERWISE STATED ACCORDING TO DIN 7168				DESCRIPTION:						
CLASS	NOMINAL MEASUREMENTS (mm)							Hook (2 pieces)		
	0.5 UNTIL 3	3 UNTIL 6	6 UNTIL 30	30 UNTIL 120	120 UNTIL 400	400 UNTIL 1000	1000 UNTIL 2000			2000 UNTIL 4000
M (MIDDLE)	±0.1	±0.1	±0.2	±0.3	±0.5	±0.8	±1.2	±2		
PROJECTION:	GENERAL ANGLE:	EAN:		VERSION NAME:	ARTICLE NR.:					
	±0,5°	4008911327076		black	1327620746					
DRAWN BY:	MS	GENERAL ROUGHNESS:		PROJECT:	 Tiger Nederland b.v. Winde 3, PO box 11 5660 AA Geldrop The Netherlands					
CHECKED BY:		0,8/√		264-Tess						
DATE:	20-9-2019	UNITS:		DRAWING NR.:						
STATUS:	Production	mm		264.09.00.TB						
PRINT DATE:	8-4-2026	SCALE:								
INT.REV.NR.:	03	FORMAT:								
		SHEET:								
		1/2								