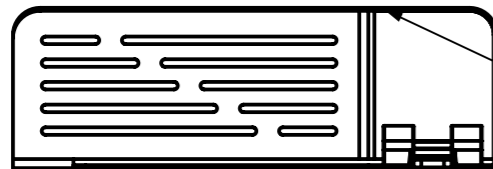
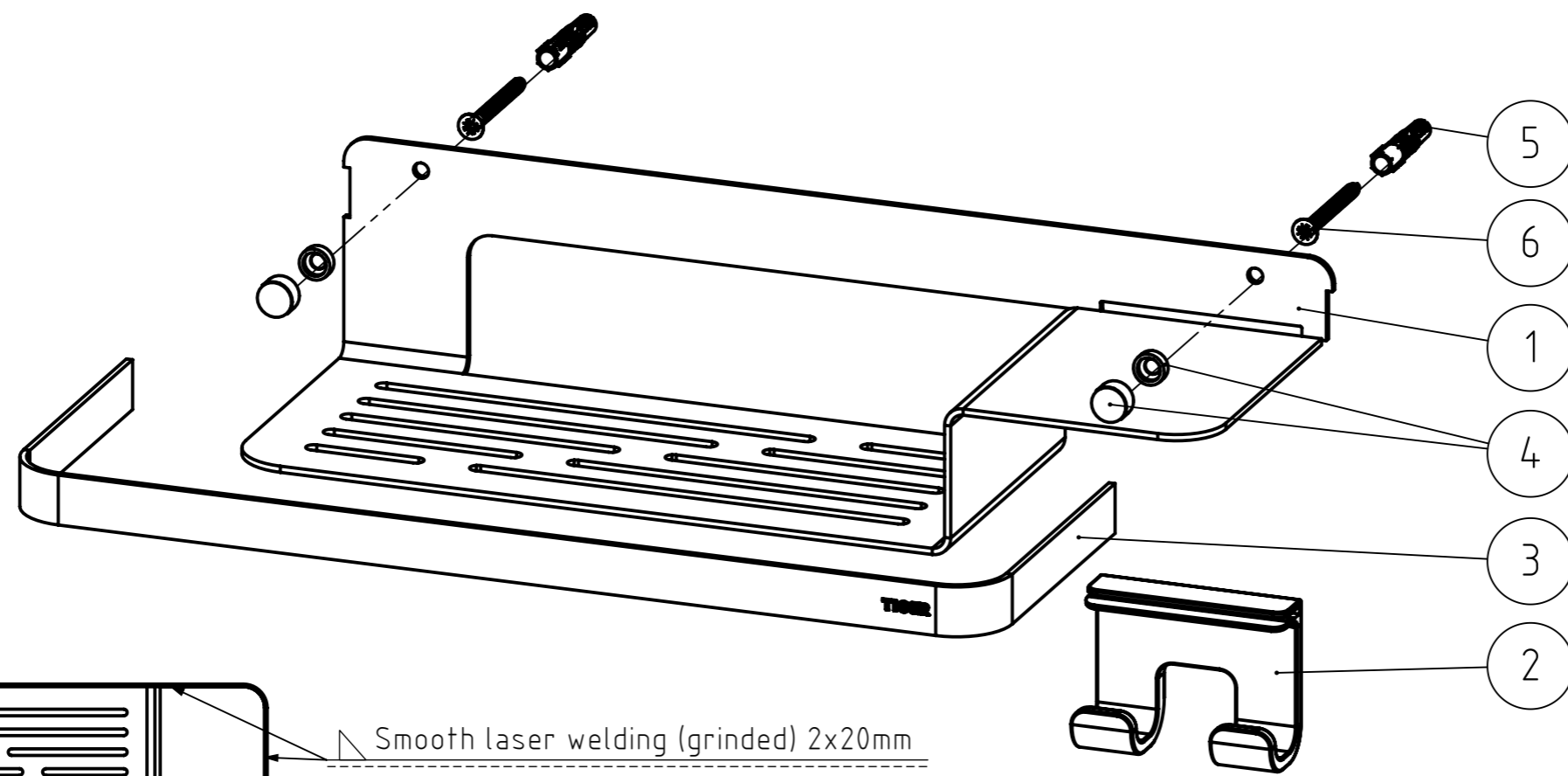
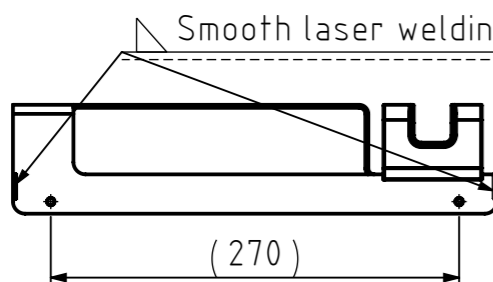


# FINAL DRAWING

REVISIONS				
REV.	DESCRIPTION	DATE	BY	APPROVED
-	See TS	-	-	-

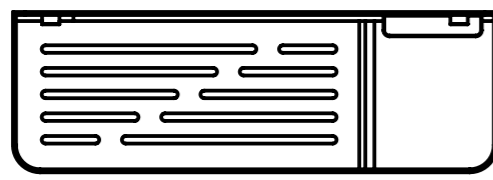


Smooth laser welding (grinded) 2x20mm

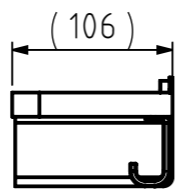


Smooth laser welding (grinded)

(270)



(320)



(106)

(72)  
(62)

Remarks:  
- Avoid welding marks

NR.	DESCRIPTION	QTY.	DRAW.NR.	MATERIAL	TREATMENT
6	Cross recessed countersunk head tapping screw	2	DIN.7982 CZ	Stainless steel A2	-
5	Fischer UX6 plug	2	FIX.0028	Nylon	-
4	Screw cap assembly (11,5x6,2mm)	2	BUY.15.00	-	Chromium plated
3	Strip	1	207.06.03	Stainless steel AISI 430	Chromium Plated
2	Hook	1	207.06.02	ABS - Black RAL 9005, Matt	Texture VDI 3400 ref.30 (standard)
1	Shower basket	1	207.06.01	Stainless steel AISI 430	Chromium Plated

GENERAL DIMENSION UNLESS OTHERWISE STATED ACCORDING TO DIN 7168			DESCRIPTION:					
NOMINAL MEASUREMENTS (mm)			Shower basket with hook					
CLASS	0.5 UNTIL 3	3 UNTIL 6	6 UNTIL 30	30 UNTIL 120	120 UNTIL 400	400 UNTIL 1000	1000 UNTIL 2000	2000 UNTIL 4000
M (MIDDLE)	±0.1	±0.1	±0.2	±0.3	±0.5	±0.8	±1.2	±2
PROJECTION:	GENERAL ANGLE:		EAN:			VERSION NAME:		ARTICLE NR.:
	±0,5°		4008911401011			chrome		1401030346
DRAWN BY:	FVP	GENERAL ROUGHNESS:		0,8/√		PROJECT:		<b>TIGER</b> Tiger Nederland b.v. Winde 3, PO box 11 5660 AA Geldrop The Netherlands
CHECKED BY:	MS	UNITS:		mm		DRAWING NR.:		
DATE:	30-1-2020	SCALE:		1:5		207-Caddy		
STATUS:	Production	FORMAT:		A3		207.06.00.TC		
PRINT DATE:	8-4-2025	SHEET:		2/3				
INT.REV.NR.:	01							

The reproduction, distribution and utilization of this document as well as the communication of its contents to others without express authorization is prohibited. Offenders will be held liable for the payment of damages. All rights reserved in the event of the grant of a patent, utility model or design. Copyright reserved.