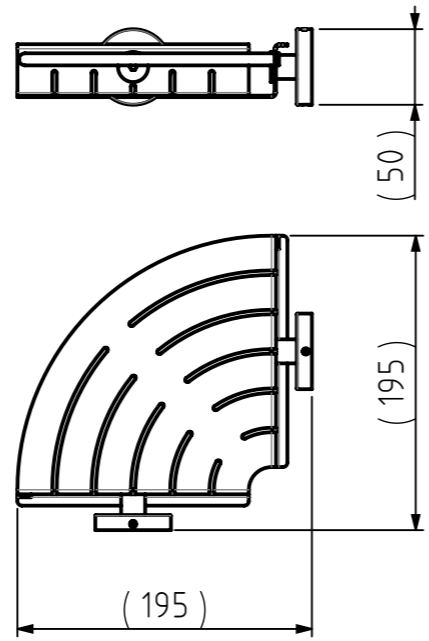
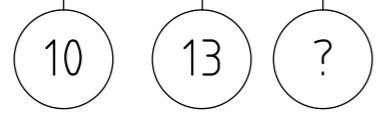
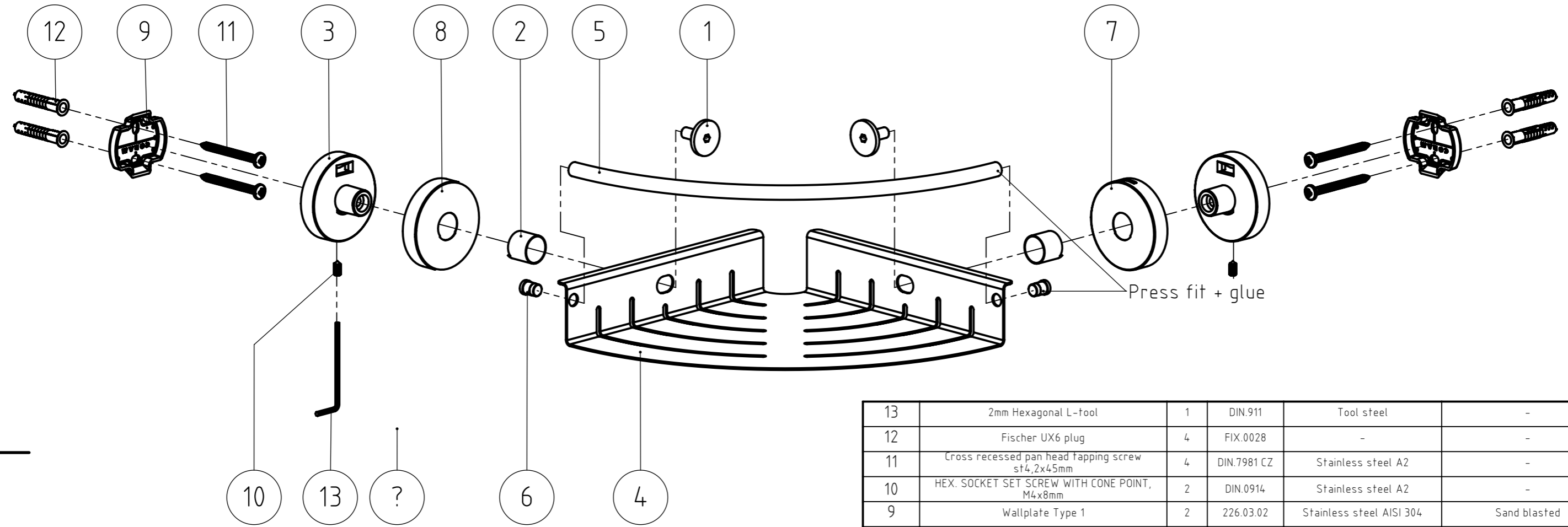


# FINAL DRAWING

REVISIONS				
REV.	DESCRIPTION	DATE	BY	APPROVED
-	See 169.02.00.TC	-	-	-



13	2mm Hexagonal L-tool	1	DIN.911	Tool steel	-
12	Fischer UX6 plug	4	FIX.0028	-	-
11	Cross recessed pan head tapping screw s14,2x45mm	4	DIN.7981 CZ	Stainless steel A2	-
10	HEX. SOCKET SET SCREW WITH CONE POINT, M4x8mm	2	DIN.0914	Stainless steel A2	-
9	Wallplate Type 1	2	226.03.02	Stainless steel AISI 304	Sand blasted
8	Cover (no logo)	1	04.0.01.03	Stainless steel AISI 304	Brushed
7	Cover	1	04.0.01.03	Stainless steel AISI 304	Brushed
6	Plug	2	169.02.03	Stainless steel AISI 304	-
5	Round bar 1680	1	169.02.02	Stainless steel AISI 304	Brushed
4	Sheet metal	1	169.02.01	Stainless steel AISI 304	Brushed
3	Wall support	2	169.01.05	Zamac3	Chromium Plated
2	Small cover	2	169.01.04	Stainless steel AISI 304	Brushed
1	Stop	2	169.01.03	Stainless steel AISI 304	Brushed
ART.NR.	DESCRIPTION	QTY.	DRAW.NR.	MATERIAL	TREATMENT

GENERAL DIMENSION UNLESS OTHERWISE STATED ACCORDING TO DIN 7168		DESCRIPTION:	
NOMINAL MEASUREMENTS (mm)		Corner basket	
CLASS	0.5 UNTIL 3	3 UNTIL 6	6 UNTIL 30
	±0.1	±0.2	±0.3
M (MIDDLE)	±0.1	±0.2	±0.3
PROJECTION:	GENERAL ANGLE: ±0,5°		EAN: 4008913048412
DRAWN BY:	MS	GENERAL ROUGHNESS:	0,8
CHECKED BY:		UNITS:	mm
DATE:	26-10-2011	SCALE:	1:5
STATUS:	Production	FORMAT:	A3
PRINT DATE:	9-7-2025	SHEET:	2/3
INT.REV.NR.:	02	VERSION NAME: stainless steel	
PROJECT: 169-Boston corner basket		ARTICLE NR.: 3048.3.09.46	
DRAWING NR.: 169.02.00.TS		<b>TIGER</b>	
		Tiger Products b.v. Winde 3, PO box 11 5660 AA Geldrop The Netherlands	

The reproduction, distribution and utilization of this document as well as the communication of its contents to others without express authorization is prohibited. Offenders will be held liable for the payment of damages. All rights reserved in the event of the grant of a patent, utility model or design. Copyright reserved.