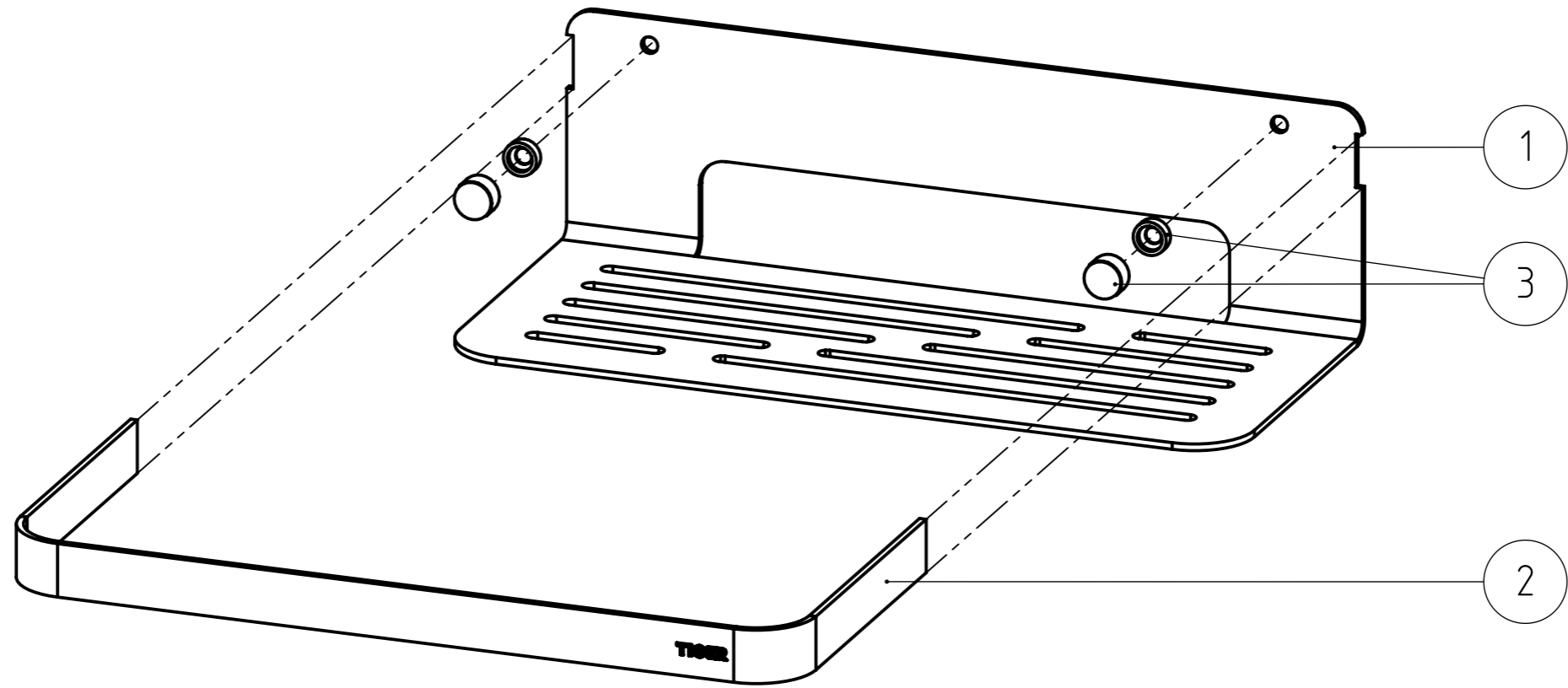
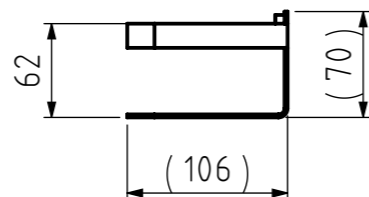
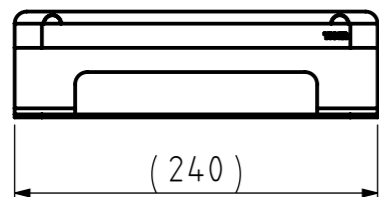
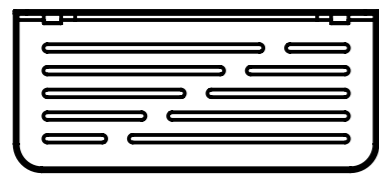
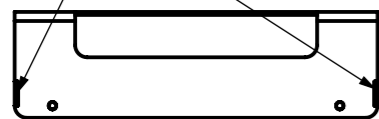


FINAL DRAWING

REVISIONS				
REV.	DESCRIPTION	DATE	BY	APPROVED
-	See 207.02.00.TS	-	-	-



Smooth welds (grinded)



Remarks:

- Only weld on the back side
- Add '9953.180.50 - Fixationset Info 4,5 x 45 mm RVS A2 (Vigo-style)'

NR.	DESCRIPTION	QTY.	DRAW.NR.	MATERIAL	TREATMENT
3	Screw cap assembly (11,5x6,2mm)	2	BUY.15.00	-	Chromium plated
2	Strip	1	207.02.02	Stainless steel AISI 430	Chromium Plated
1	Basket	1	207.02.01	Stainless steel AISI 430	Chromium Plated

GENERAL DIMENSION UNLESS OTHERWISE STATED ACCORDING TO DIN 7168		DESCRIPTION: Basket						
CLASS	NOMINAL MEASUREMENTS (mm)							
	0.5 UNTIL 3	3 UNTIL 6	6 UNTIL 30	30 UNTIL 120	120 UNTIL 400	400 UNTIL 1000	1000 UNTIL 2000	2000 UNTIL 4000
M (MIDDLE)	±0.1	±0.1	±0.2	±0.3	±0.5	±0.8	±1.2	±2
PROJECTION:	GENERAL ANGLE: ±0,5°		EAN: 4008911400014			VERSION NAME: chrome		ARTICLE NR.: 14000.3.03.46
DRAWN BY: MS	GENERAL ROUGHNESS: 0,8/√		PROJECT: 207-Caddy		DRAWING NR.: 207.02.00.TC			
CHECKED BY: FVP								
DATE: 30-10-2013	UNITS: mm							
STATUS: Production	SCALE: 1:5							
PRINT DATE: 8-4-2025	FORMAT: A3				TIGER Tiger Nederland b.v. Winde 3, PO box 11 5660 AA Geldrop The Netherlands			
INT.REV.NR.: 06	SHEET: 2/4							

The reproduction, distribution and utilization of this document as well as the communication of its contents to others without express authorization is prohibited. Offenders will be held liable for the payment of damages. All rights reserved in the event of the grant of a patent, utility model or design. Copyright reserved.