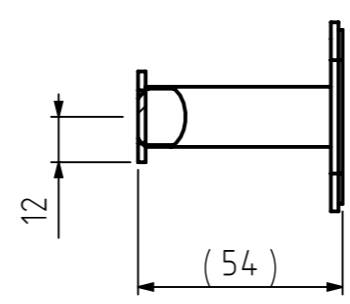
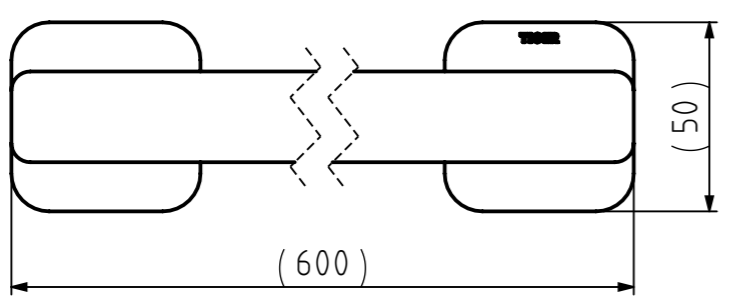
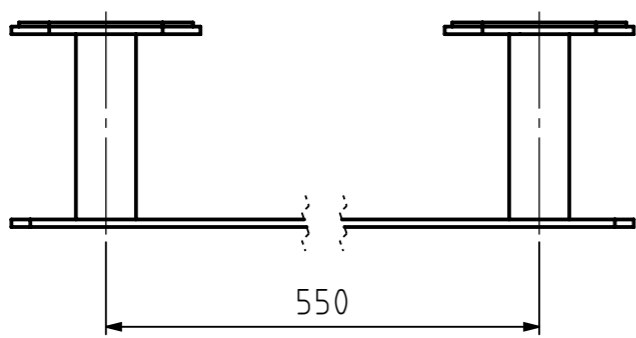
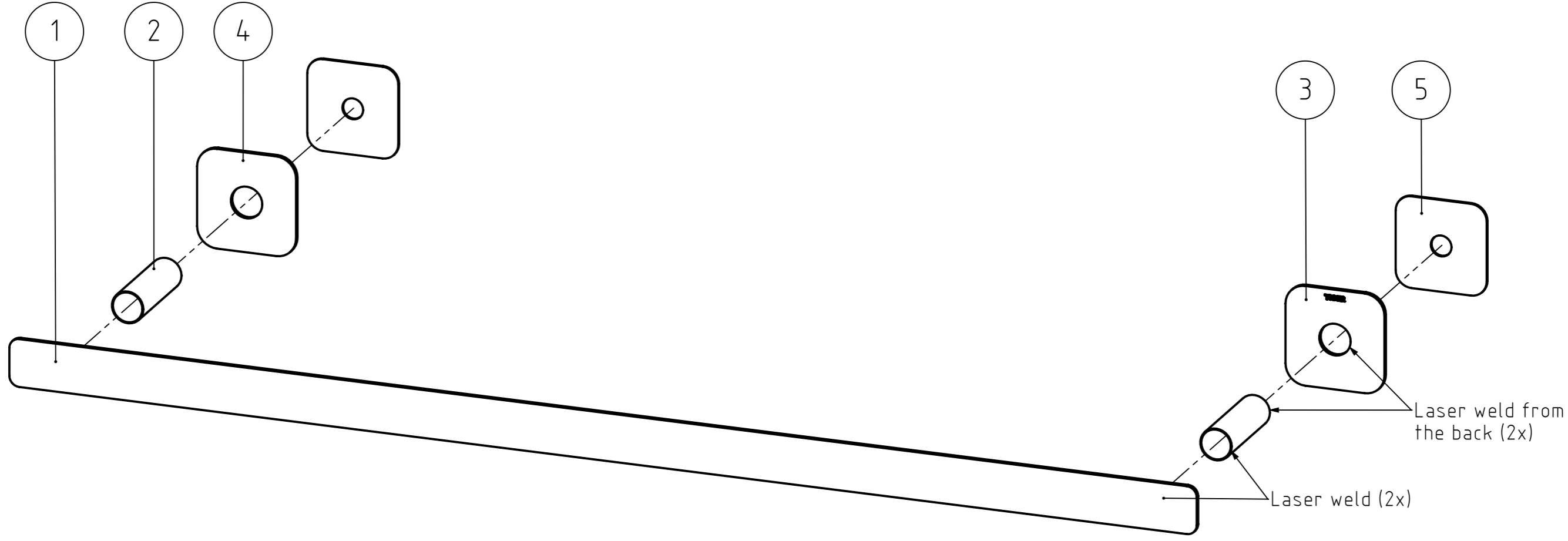


FINAL DRAWING

REVISIONS				
REV.	DESCRIPTION	DATE	BY	APPROVED
-	See 205.09.00.TS	-	-	-



Remarks:
- Welds may not be visible from the front

NR.	DESCRIPTION	QTY.	DRAW.NR.	MATERIAL	TREATMENT
5	Tape pad big	2	205.04.08	3M Tape VHB GPH110 1.10mm	-
4	Wall plate 2 (no logo)	1	205.09.04	Stainless steel 304	Polished - High gloss
3	Wall plate 2 (top logo)	1	205.09.04	Stainless steel 304	Polished - High gloss
2	Tube	2	205.09.03	Stainless steel 304	Polished - High gloss
1	Towelrack	1	205.09.02	Stainless steel 304	Polished - High gloss

GENERAL DIMENSION UNLESS OTHERWISE STATED ACCORDING TO DIN 7168						DESCRIPTION:		
CLASS	NOMINAL MEASUREMENTS (mm)						Towelrack	
	0.5 UNTIL 3	3 UNTIL 6	6 UNTIL 30	30 UNTIL 120	120 UNTIL 400	400 UNTIL 1000		
M (MIDDLE)	±0.1	±0.1	±0.2	±0.3	±0.5	±0.8	±1.2	±2
PROJECTION:	GENERAL ANGLE:		VERSION NAME:		ARTICLE NR. (packed product):			
	±0,5°		chrome		1313630346			
DRAWN BY:	MS		GENERAL ROUGHNESS: 0,8		PROJECT: 205-Colar			
CHECKED BY:					DRAWING NR: 205.09.00.TC			
DATE:	29-7-2015		UNITS: mm		Tiger Products b.v. Winde 3, PO box 11 5660 AA Geldrop The Netherlands			
STATUS:	Production		SCALE: 1:2					
PRINT DATE:	14-4-2026		FORMAT: A3					
INT.REV.NR.:	01		SHEET: 2/3					

The reproduction, distribution and utilization of this document as well as the communication of its contents to others without express authorization is prohibited. Offenders will be held liable for the payment of damages. All rights reserved in the event of the grant of a patent, utility model or design. Copyright reserved.