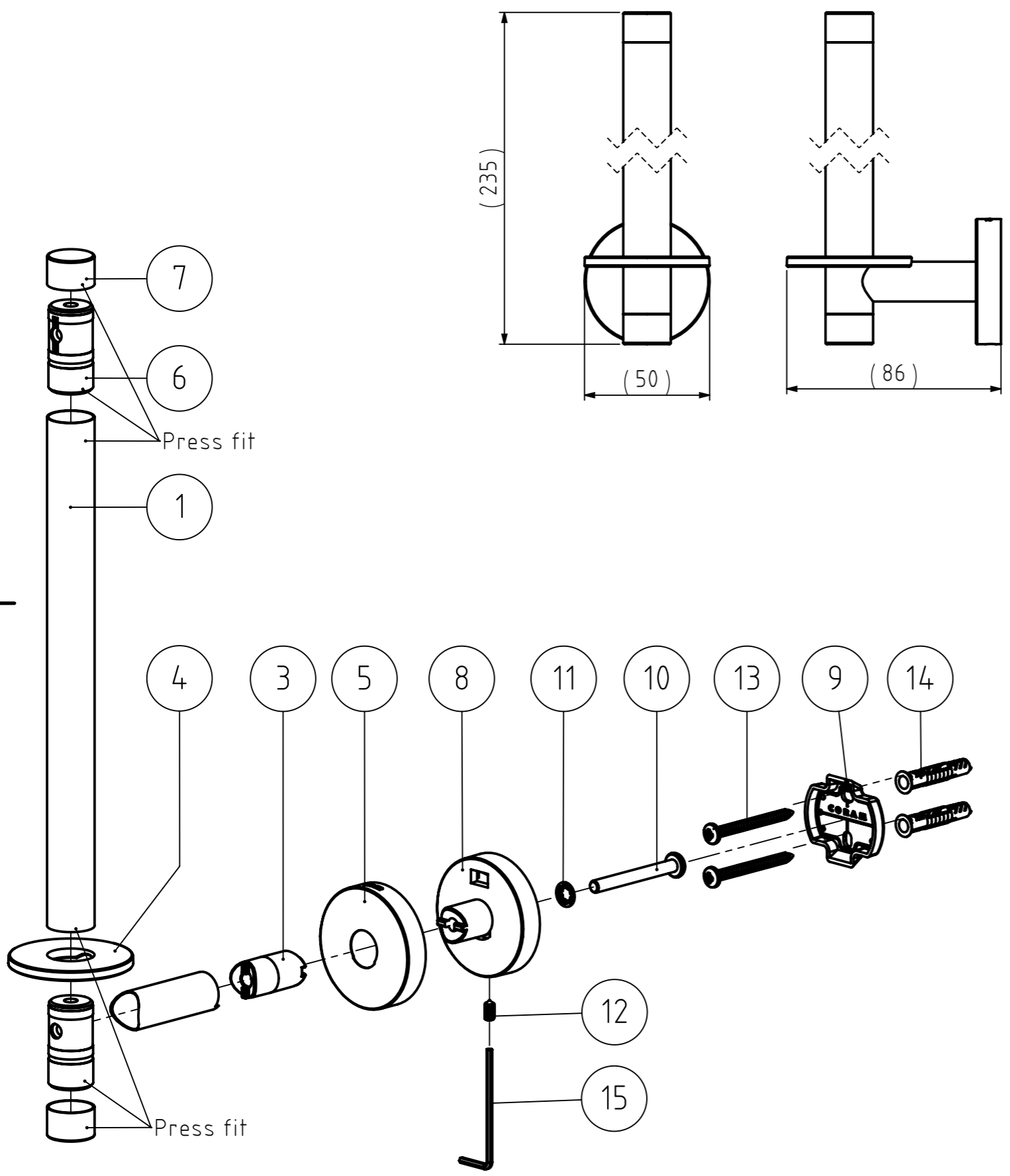


FINAL DRAWING

REVISIONS				
REV.	DESCRIPTION	DATE	BY	APPROVED
-	See 179.02.00.TC	-	-	-



NR.	DESCRIPTION	QTY.	DRAW.NR.	MATERIAL	TREATMENT
15	2mm Hexagonal L-tool	1	DIN.911	Tool steel	-
14	Fischer UX6 plug	2	FIX.0028	-	-
13	Cross recessed pan head tapping screw st4,2x4,5mm	2	DIN.7981 CZ	Stainless steel A2	-
12	HEX. SOCKET SET SCREW WITH CONE POINT, M4x8mm	1	DIN.0914	Stainless steel A2	-
11	Tooth lock washer with internal teeth M5	1	DIN.6797	Stainless steel A2	-
10	CROSS RECESSED RAISED CHEESE HEAD SCREW M5x4,5mm	1	ISO.7045	Stainless steel A2	-
9	Wallplate Type 1	1	226.03.02	Stainless steel AISI 304	Sand blasted
8	Wall support	1	040.08.12	Zamac3	Chromium Plated
7	End cap	2	040.03.07	Stainless steel AISI 304	Brushed
6	Tube connector A	2	040.03.03	Zamac3	Chromium Plated
5	Cover	1	040.01.03	Stainless steel AISI 304	Brushed
4	Ring carrier	1	179.02.04	PP - Transparant white	Texture VDI 3400 ref.27 (light)
3	Extension bush	1	179.02.03	Zamac3	Chromium Plated
2	Support tube	1	179.02.02	Stainless steel AISI 304	Brushed
1	Centerpiece cover	1	179.02.01	Stainless steel AISI 304	Brushed

GENERAL DIMENSION UNLESS OTHERWISE STATED ACCORDING TO DIN 7168

CLASS	NOMINAL MEASUREMENTS (mm)							
	0.5 UNTIL 3	3 UNTIL 6	6 UNTIL 30	30 UNTIL 120	120 UNTIL 400	400 UNTIL 1000	1000 UNTIL 2000	2000 UNTIL 4000
M (MIDDLE)	±0.1	±0.1	±0.2	±0.3	±0.5	±0.8	±1.2	±2

DESCRIPTION: Spare toilet roll holder

VERSION NAME: stainless steel ARTICLE NR.: 3054.3.09.46

PROJECT: 179-Boston Spare roll holder

DRAWING NR.: 179.02.00.TS

PROJECT: 179-Boston Spare roll holder

DATE: 30-1-2014 UNITS: mm

CHECKED BY: MS GENERAL ROUGHNESS: 0,8 ✓

STATUS: Production SCALE: 1:2

PRINT DATE: 4-10-2024 FORMAT: A3

INT.REV.NR.: 02 SHEET: 2/3

TIGER
Tiger Products b.v.
Winde 3, PO box 11
5660 AA Geldrop
The Netherlands

The reproduction, distribution and utilization of this document as well as the communication of its contents to others without express authorization is prohibited. Offenders will be held liable for the payment of damages. All rights reserved in the event of the grant of a patent, utility model or design. Copyright reserved.