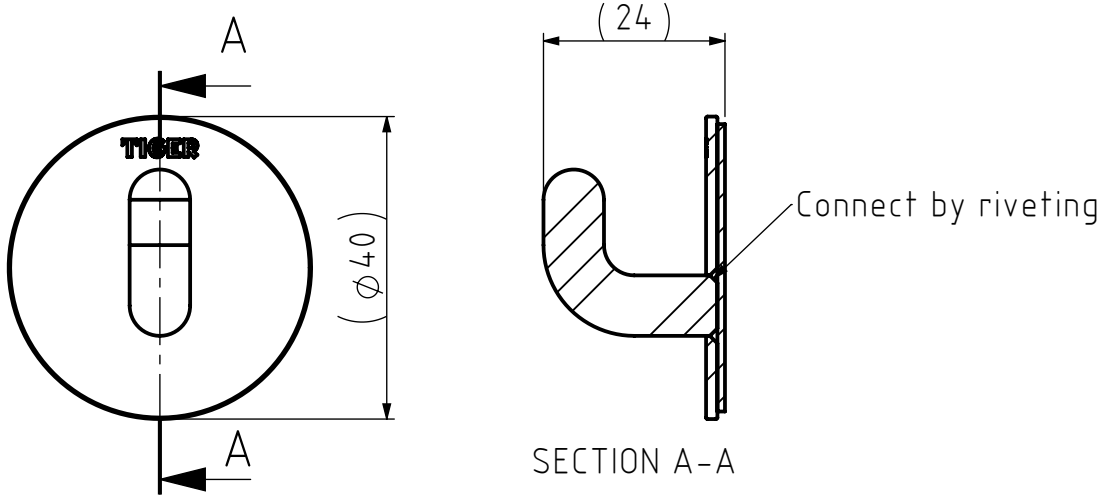
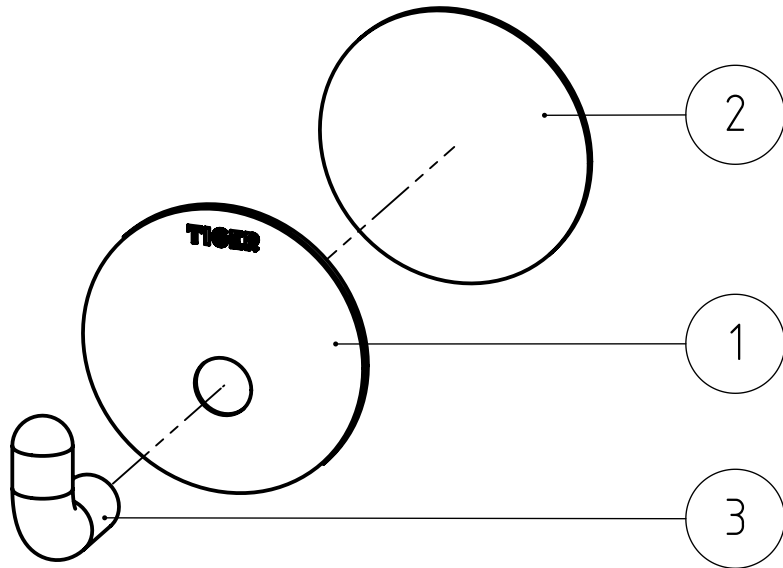


FINAL DRAWING



Remarks:
 - Make the back of the riveting as flat as possible.

| NR. | DESCRIPTION | QTY. | DRAW.NR. | MATERIAL | TREATMENT |
|-----|---------------|------|-----------|---------------------------------|-----------|
| 3 | Hook Pinky | 1 | 178.06.02 | Stainless steel 304 | Brushed |
| 2 | ADHESIVE FOAM | 1 | 142.01.04 | 3M / NO.1600 / FOAM TAPE 1.0 MM | - |
| 1 | Wall plate | 1 | 225.01.01 | Stainless steel 304 | Brushed |

| | | | | | | | | | |
|---|---------------------------|--------------------|-----------------|--------------|---|----------------|-----------------|-------------|--|
| GENERAL DIMENSION UNLESS OTHERWISE STATED ACCORDING TO DIN 7168 | | | | DESCRIPTION: | | | | | |
| CLASS | NOMINAL MEASUREMENTS (mm) | | | | | | | Pinky round | |
| | 0.5 UNTIL 3 | 3 UNTIL 6 | 6 UNTIL 30 | 30 UNTIL 120 | 120 UNTIL 400 | 400 UNTIL 1000 | 1000 UNTIL 2000 | | |
| M (MIDDLE) | ±0.1 | ±0.1 | ±0.2 | ±0.3 | ±0.5 | ±0.8 | ±1.2 | ±2 | |
| PROJECTION: | GENERAL ANGLE: | EAN: | VERSION NAME: | | ARTICLE NR.: | | | | |
| | ±0,5° | 4008911117035 | stainless steel | | 11175.3.09.42 | | | | |
| DRAWN BY: | MS | GENERAL ROUGHNESS: | PROJECT: | | Tiger Products b.v. Winde 3, PO box 11 5660 AA Geldrop The Netherlands | | | | |
| CHECKED BY: | FVP | | 225-hooks 2016 | | | | | | |
| DATE: | 16-9-2016 | UNITS: | DRAWING NR.: | | | | | | |
| STATUS: | Production | mm | 225.01.00.TS | | | | | | |
| PRINT DATE: | 8-4-2026 | SCALE: | | | | | | | |
| INT.REV.NR.: | 00 | FORMAT: | | | | | | | |
| | | SHEET: | | | | | | | |

The reproduction, distribution and utilization of this document as well as the communication of its contents to others without express authorization is prohibited. Offenders will be held liable for the payment of damages. All rights reserved in the event of the grant of a patent, utility model or design. Copyright reserved.