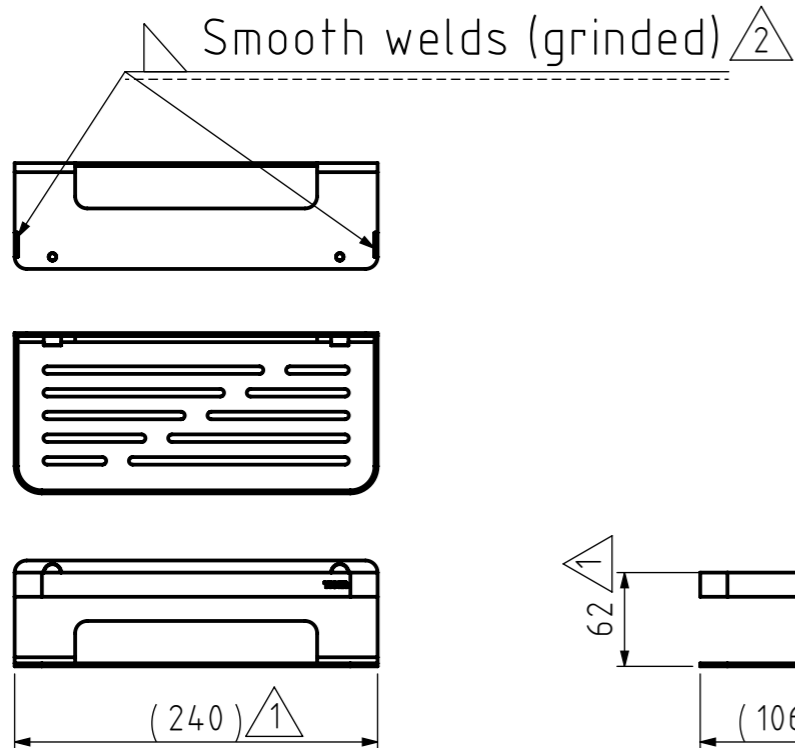
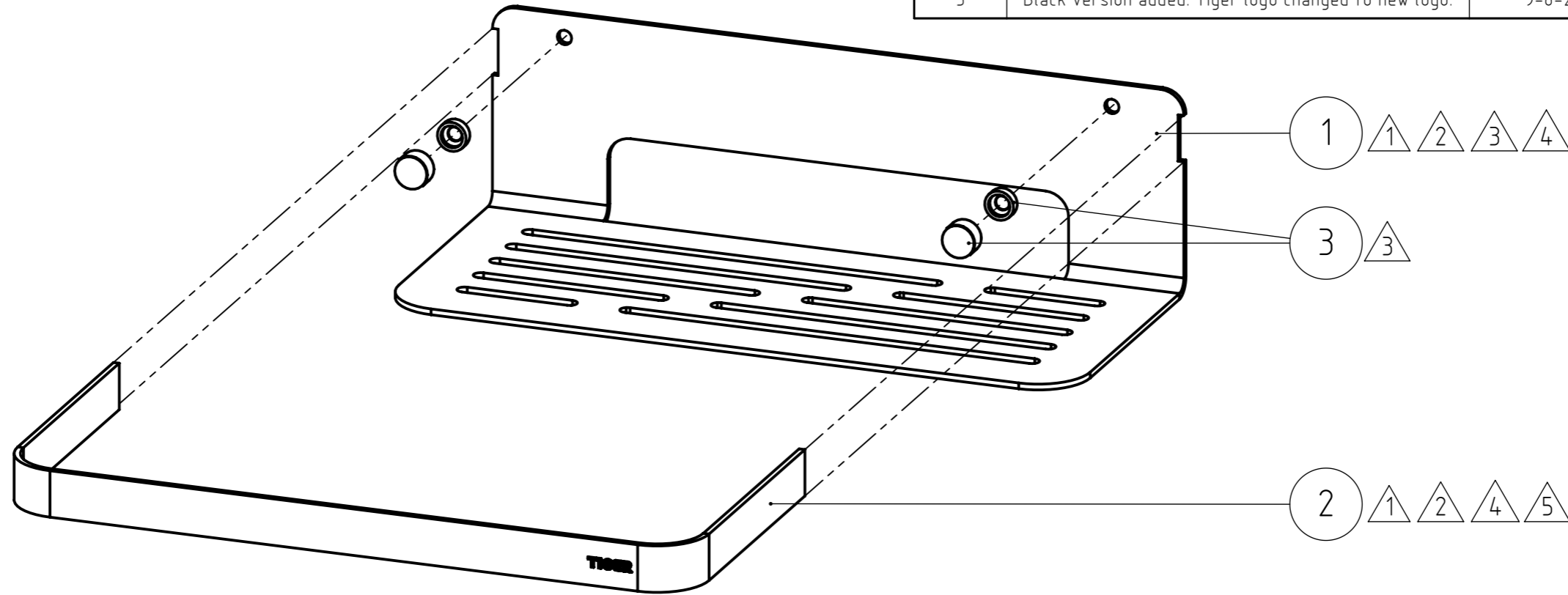


# FINAL DRAWING

REVISIONS				
REV.	DESCRIPTION	DATE	BY	APPROVED
1	- Basket and strip changed - Add '9953.180.50 - Fixationset Info 4,5 x 45 mm RVS A2 (Vigo-style)'	15-7-2014	FVP	WW
2	- Part dimensions changed - Welding changed	13-8-2014	MS	FVP
3	Screw cap assembly added, screw holes changed	6-11-2014	MS	WW
4	Tiger logo moved	26-11-2014	MS	WW
5	Black version added. Tiger logo changed to new logo.	9-8-2018	MS	FvP



### Remarks:

- Only weld on the back side
- Add '9953.180.50 - Fixationset Info 4,5 x 45 mm RVS A2 (Vigo-style)'

NR.	DESCRIPTION	QTY.	DRAW.NR.	MATERIAL	TREATMENT
3	Screw cap assembly (11,5x6,2mm)	2	BUY.15.00	-	Brushed
2	Strip	1	207.02.02	Stainless steel AISI 304	Brushed
1	Basket	1	207.02.01	Stainless steel AISI 304	Brushed

GENERAL DIMENSION UNLESS OTHERWISE STATED ACCORDING TO DIN 7168							DESCRIPTION:	
CLASS	NOMINAL MEASUREMENTS (mm)						Basket	
	0.5 UNTIL 3	3 UNTIL 6	6 UNTIL 30	30 UNTIL 120	120 UNTIL 400	400 UNTIL 1000		
M (MIDDLE)	±0.1	±0.1	±0.2	±0.3	±0.5	±0.8	±1.2	±2
PROJECTION:	GENERAL ANGLE:		EAN:		VERSION NAME:		ARTICLE NR.:	
	±0,5°		4008911400007		stainless steel		14000.3.09.46	
DRAWN BY:	MS		GENERAL ROUGHNESS:		PROJECT:		 Tiger Nederland b.v. Winde 3, PO box 11 5660 AA Geldrop The Netherlands	
CHECKED BY:	FVP		0,8/		207-Caddy			
DATE:	30-10-2013		UNITS:		DRAWING NR.:			
STATUS:	Production		mm		207.02.00.TS			
PRINT DATE:	8-4-2025		SCALE:		1:5			
INT.REV.NR.:	06		FORMAT:		A3			
			SHEET:		1/4			

The reproduction, distribution and utilization of this document as well as the communication of its contents to others without express authorization is prohibited. Offenders will be held liable for the payment of damages. All rights reserved in the event of the grant of a patent, utility model or design. Copyright reserved.